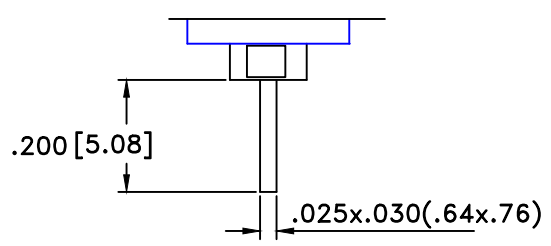
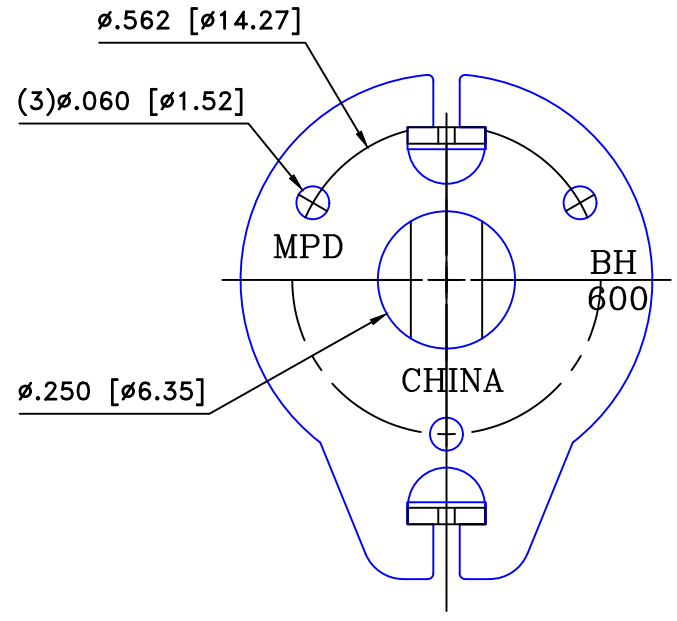
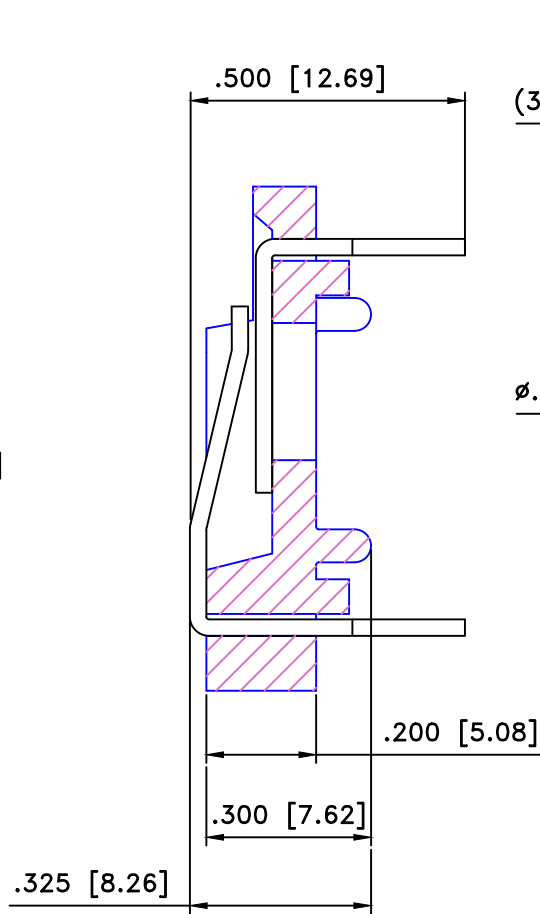
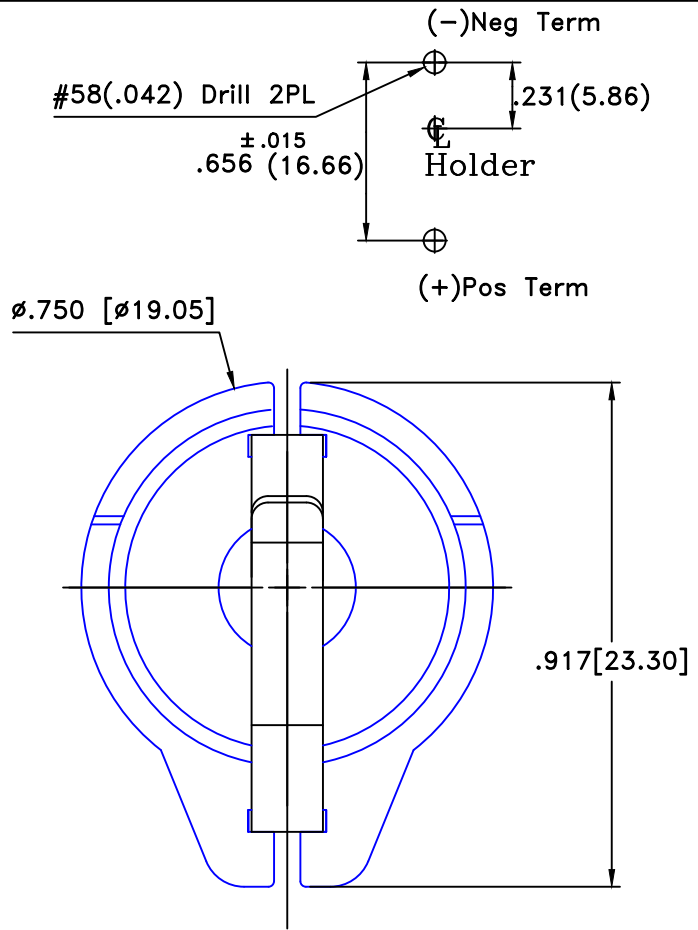


| Date     | SYM | REVISION RECORD          | AUTH | DR.  | CK. |
|----------|-----|--------------------------|------|------|-----|
| 11/07/19 | D   | Added weight of the part | T.B. | B.S. |     |
|          |     |                          |      |      |     |




Square Contact Detail

**SPECIFICATIONS**

- \*Holder material—thermoplastic, black PBT
- \*Flammability rating—UL94V-0, File No.88499(M)
- \*Contacts—Stainless Steel spring temper  
Gold Flash Finish
- \*Dielectric strength—560volts/mil at 25°C for 5seconds
- \*Temperature range— -55° to +180°C
- \*Resistance to solvents—Xylene,ethyl,butyl,methyl&proptl  
alcohol;ethyl acetate,heptane;toluene;refrigerant
- \*Approximate weight: 1.68g

ROHS COMPLIANT

|                                |   |                |                  |
|--------------------------------|---|----------------|------------------|
| Tolerance<br>(Except as noted) |  <b>Memory protection Devices, Inc</b><br>200 Broad Hollow Road, Farmingdale, New York 11735 | Scale          | Drawn By B.S.    |
|                                |   | 4=1            | Approved By T.B. |
| decimal<br>±.5 (.020)          | Title<br>BR/CR/DL 1620/1632 COIN BATTERY HOLDER   |                |                  |
| Fractional<br>± .8 (.030)      | Date  | Drawing Number |                  |
| Angular<br>± 3°                | 11/07/19  | BH600-G        |                  |