



Timing Belt 128MXL - 160T(Pair)

SKU: 83043 Weight: 15.00 Gram

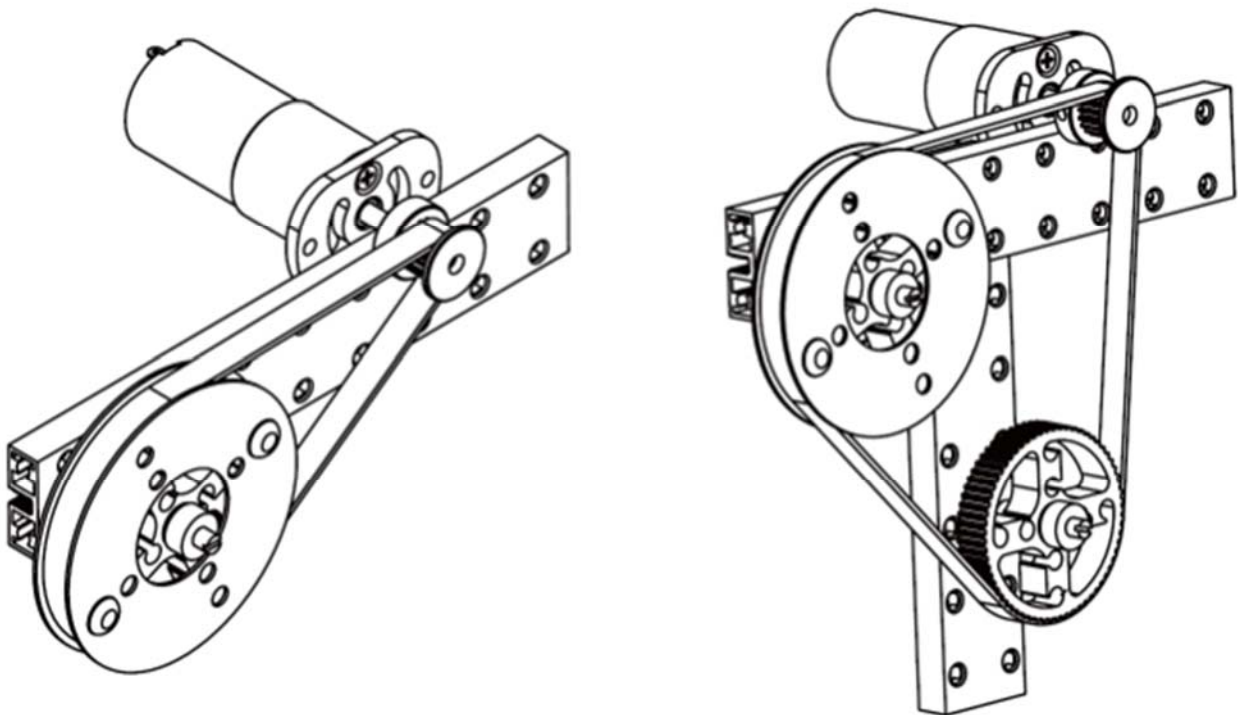
Description:

Makeblock timing belt 128MXL - 160T can used to connect the timing pulley to drive motion.

Features:

- Timing Belt Standard: MXL
- Pitch: 2.032mm
- Width: 6.6 mm
- Material: Neoprene
- Tooth Number: 160

Demo:



<https://store.makeblock.com/timing-belt-128mxl-160t-pair/2-19-1-9>