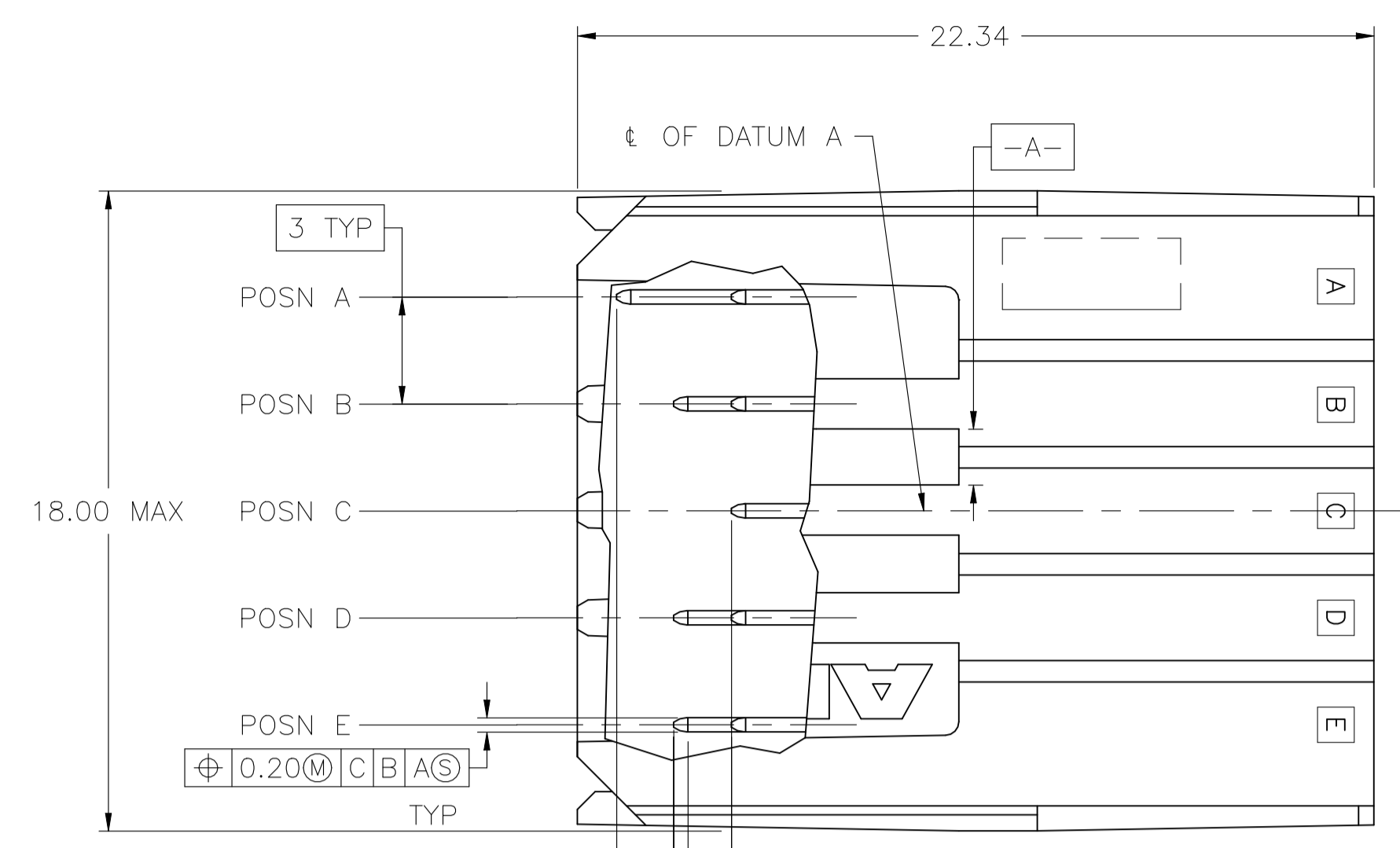
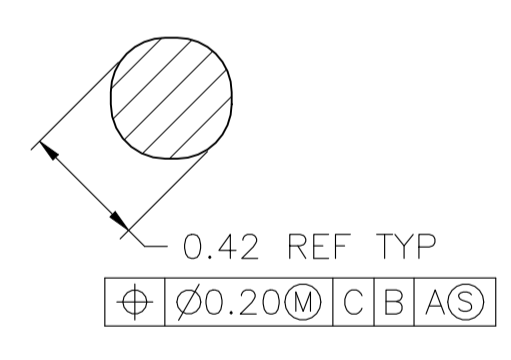
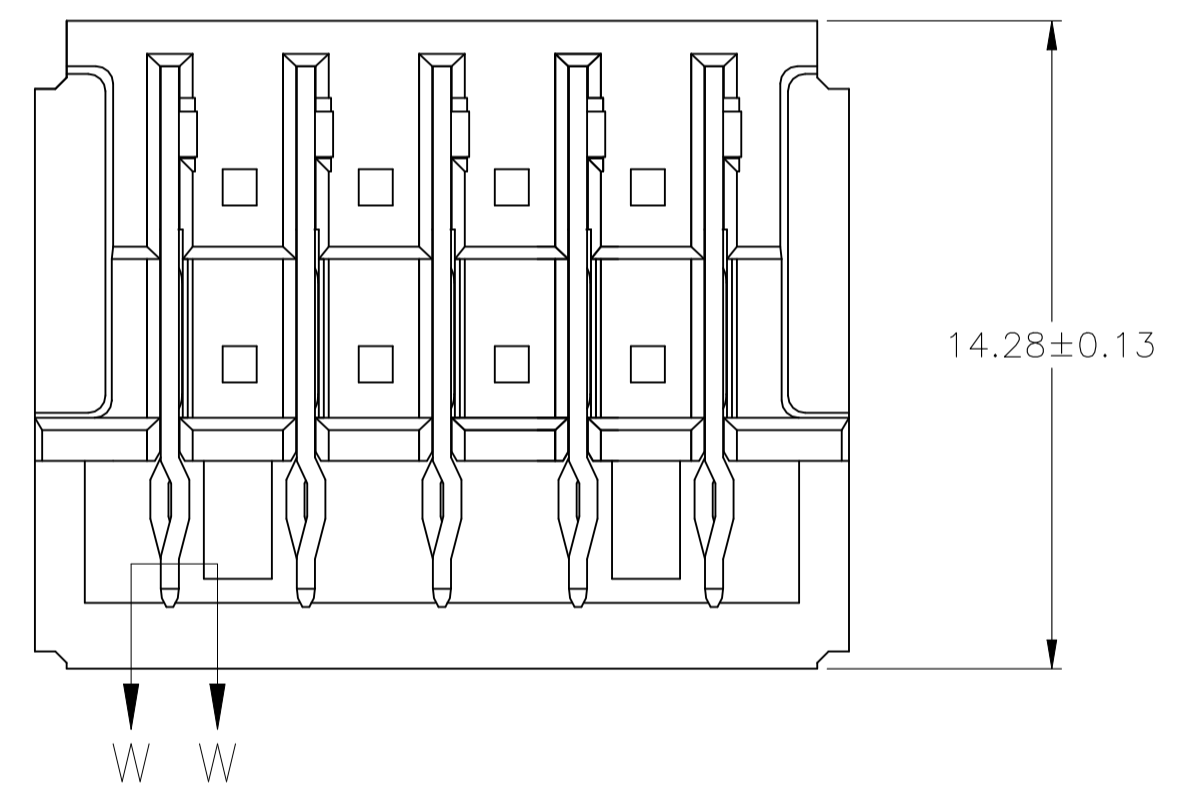
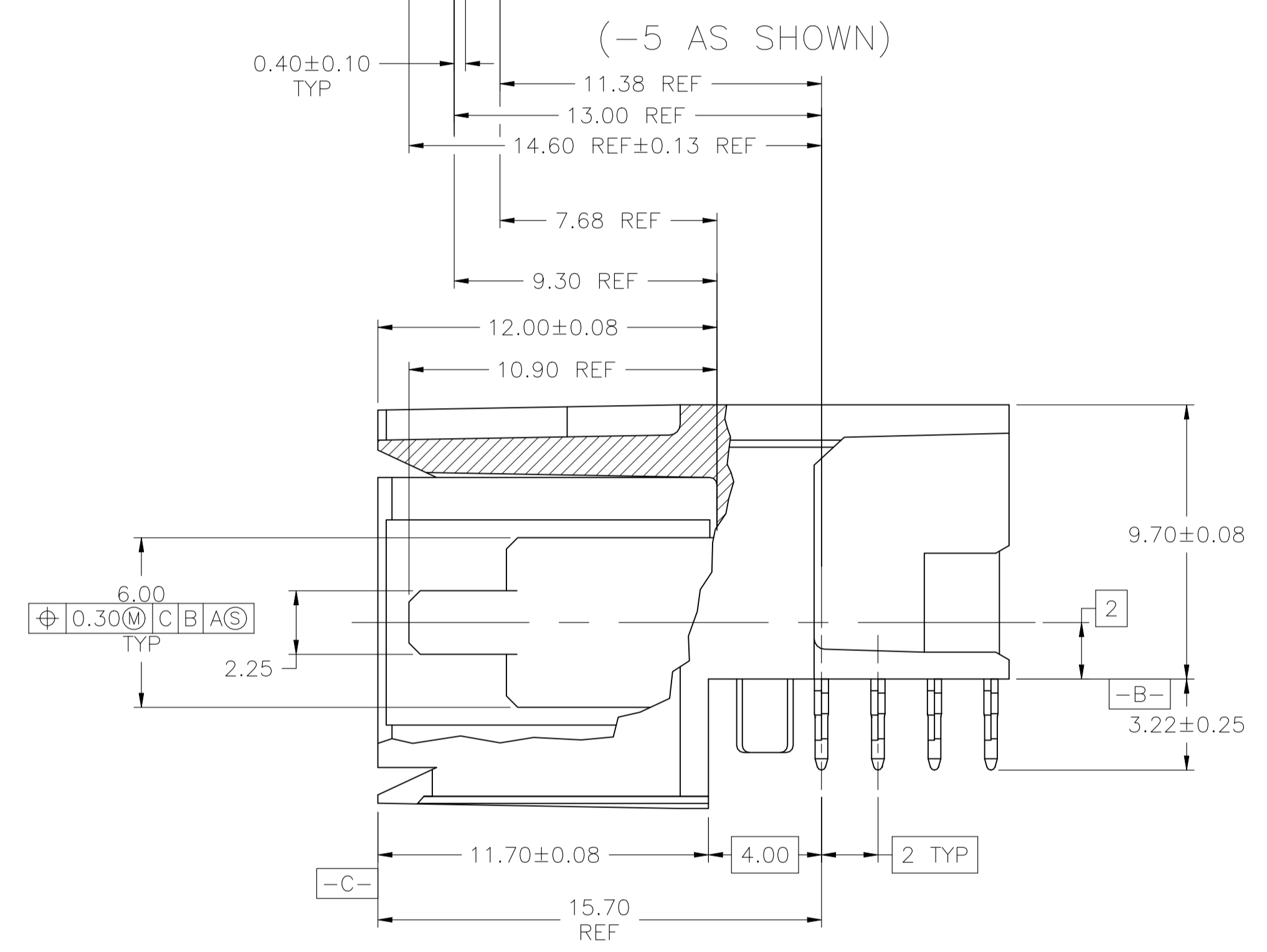
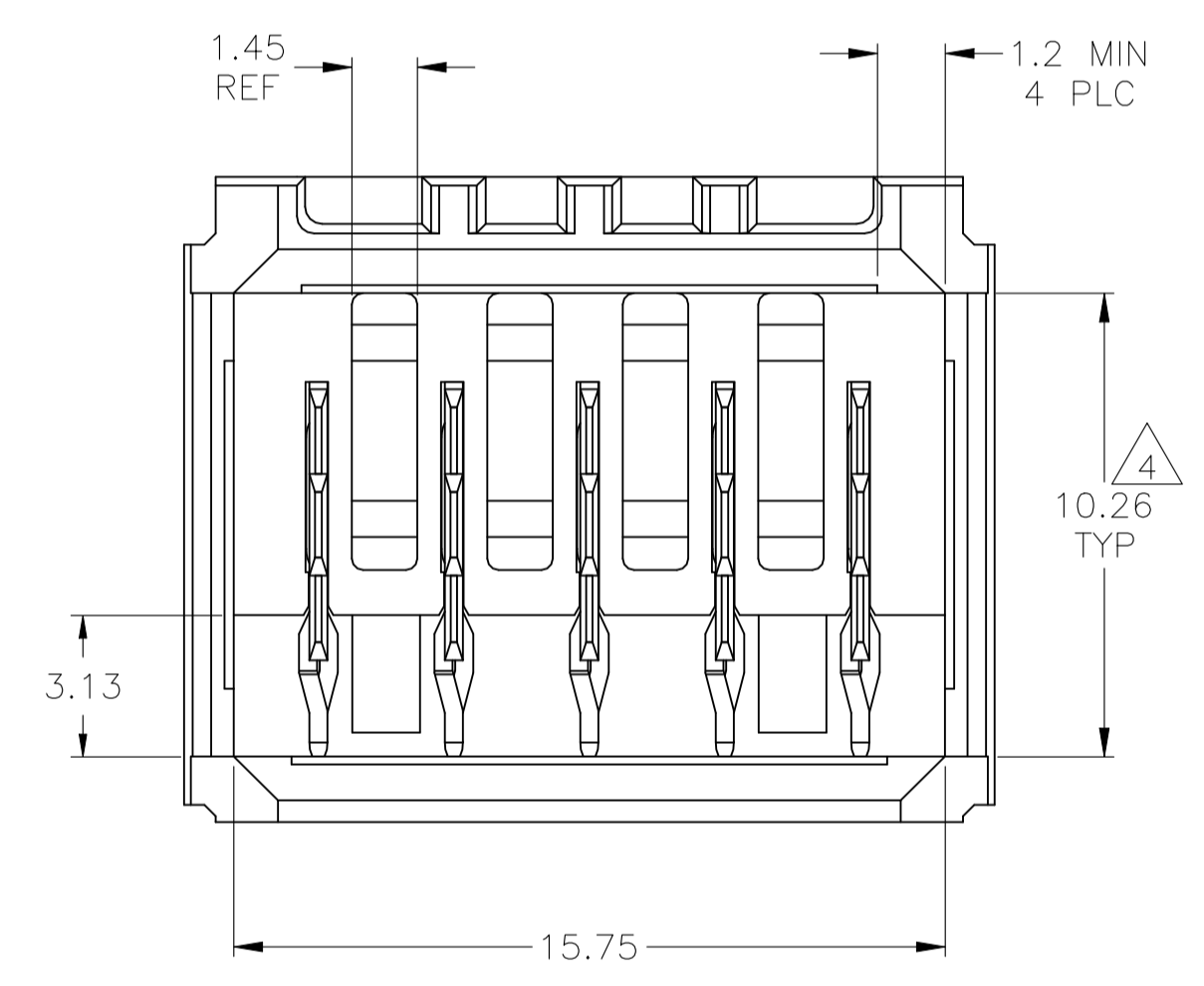


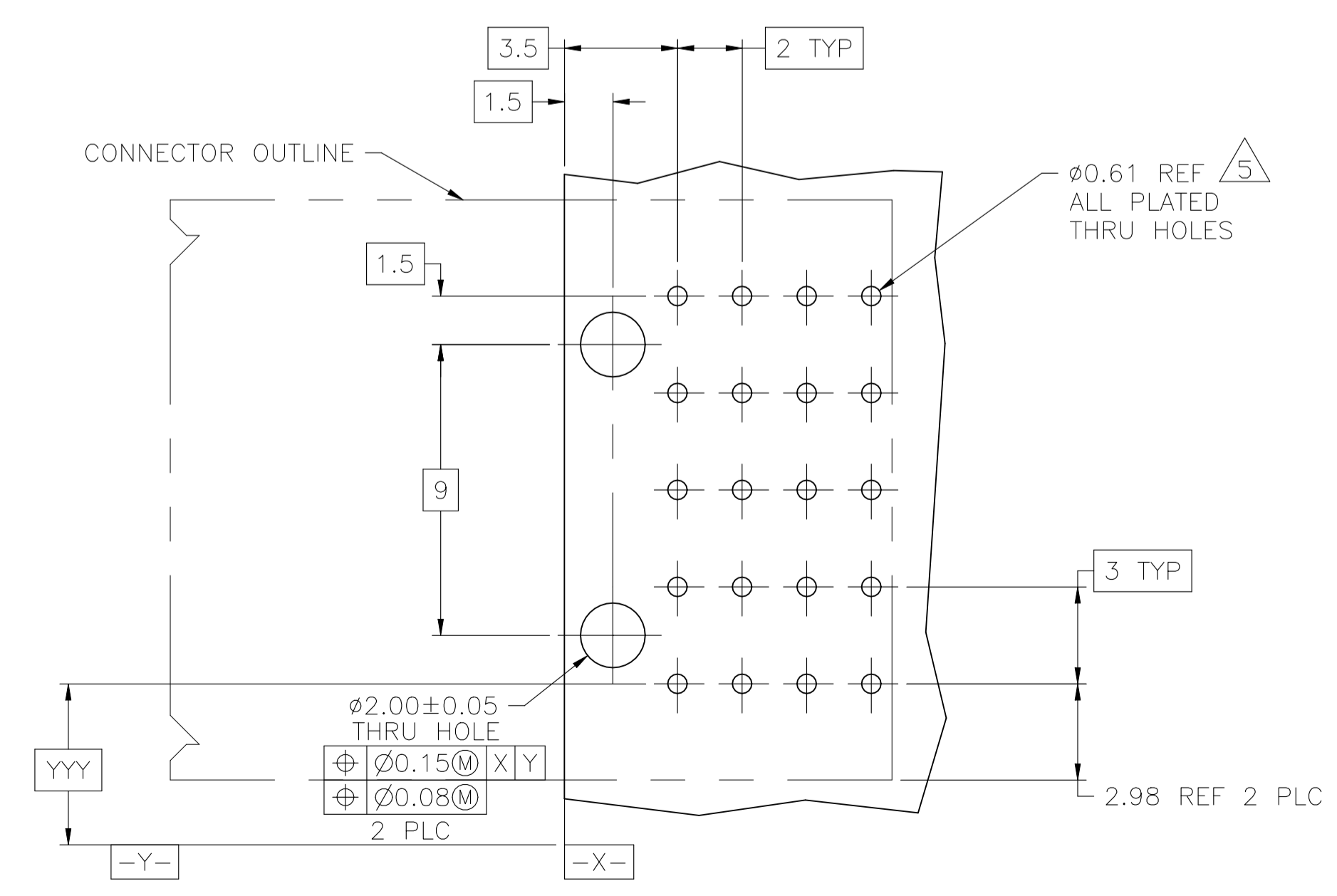
REVISIONS				
REV	DESCRIPTION	DATE	BY	APP'D
E4	REV AS PER ECR-23-169592	17MAR2023	DP	HW



- 1 MATERIAL: HOUSING: POLYESTER. COLOR: GRAY. UL 94V-0. CONTACT: COPPER ALLOY.
- 2 FINISH: IN ACCORDANCE WITH PRODUCT SPECIFICATION 108-1651, GOLD PLATING OR EQUIVALENT PLATING ON PRODUCT CONTACT MATING AREA, AND MATTE TIN PLATING ON COMPLIANT PIN AREA, ALL OVER MATTE NICKEL UNDERPLATED. DETAIL PLEASE REFER TO PRODUCT SPECIFICATION 108-1651.
- 3 FINISH: CONTACT LUBRICATION WITH BELLCORE APPROVED LUBRICANT. TECHNICAL REFERENCE: GR-1217-CORE, ISSUE 1, NOVEMBER 1995.
- 4 10.26±0.13 DIMENSION APPLIES IN THIS AREA.
- 5 REFERENCE APPLICATION SPEC 114-1103 FOR RECOMMENDED PLATED THRU HOLE DIAMETER AND PLATING THICKNESS.
- 6. CURRENT RATING 10A/CONTACT PER PRODUCT SPEC 108-1651.



SECTION W-W
SCALE 40:1



RECOMMENDED PCB HOLE LAYOUT

POSITIONS LOADED WITH 10.90 REF CONTACTS	POSITIONS LOADED WITH 9.30 REF CONTACTS	POSITIONS LOADED WITH 7.68 REF CONTACTS	NO OF LOADED POSITIONS	PART NUMBER
C	A,B,D,E	-	5	5646955-8
A,B,D	C,E	-	5	5646955-6
A,B,D,E	-	C	5	5646955-5
A - C	D - E	-	5	5646955-4
A	B - E	-	5	5646955-3
E	A - D	-	5	5646955-2
A - E	-	-	5	5646955-1

THIS DRAWING IS A CONTROLLED DOCUMENT.

DIMENSIONS: mm	TOLERANCES UNLESS OTHERWISE SPECIFIED:	DIN R. CARBO 14DEC04	14DEC04
0 PLC ± -	1 PLC ± -	2 PLC ± 0.13	3 PLC ± -
4 PLC ± -	ANGLES ± -	APPROVED: R. PATTERSON 14DEC04	NAME: R. PATTERSON
MATERIAL: 1	FINISH: 2	PRODUCT SPEC: 108-1651	APPLICATION SPEC: 114-1103
WEIGHT: 0.000000	SIZE: A1	CAGE CODE: 00779	DRAWING NO: C=5646955
CUSTOMER DRAWING	SCALE: 6:1	SHEET: 1 of 1	REV: E4

ASSEMBLY, RIGHT ANGLE HEADER, W/ RETENTION PEGS, UNIVERSAL POWER MODULE