

NOTES:

1. MATERIAL:

CAGE: NICKEL SILVER  
 CONNECTOR HOUSING: GLASS FILLED THERMOPLASTIC, UL: 94V-0, COLOR: BLACK  
 TERMINALS: HIGH PERFORMANCE COPPER ALLOY  
 FRONT SHIELD WALL: COPPER ALLOY

2. FINISH

TERMINALS: CONTACT AREA: 0.76 MICRONS MIN. HARD GOLD OVER 3.8 MICRONS MIN. NICKEL  
 COMPLIANT TAIL: 0.7-1.5 MICRONS MATTE TIN OVER 0.7-1.5 MICRONS NICKEL  
 FRONT SHIELD WALL: 0.7-1.5 MICRONS NICKEL OVERALL

3. 2X1 CONFIGURATION SHOWN FOR REFERENCE. SEE TABLE FOR AVAILABLE OPTIONS

4. ALL VISIBLE EXTERIOR SURFACES TO BE CLASS "B" (BOTTOM OF CONNECTOR IS CLASS "C")

CAGE SURFACES TO CONFORM TO THE MOLEX COSMETIC DOC PS-45499-002

5. REFERENCE SPECIFICATIONS FOR ELECTRICAL, MECHANICAL, AND ENVIRONMENTAL ARE NOT YET AVAILABLE.

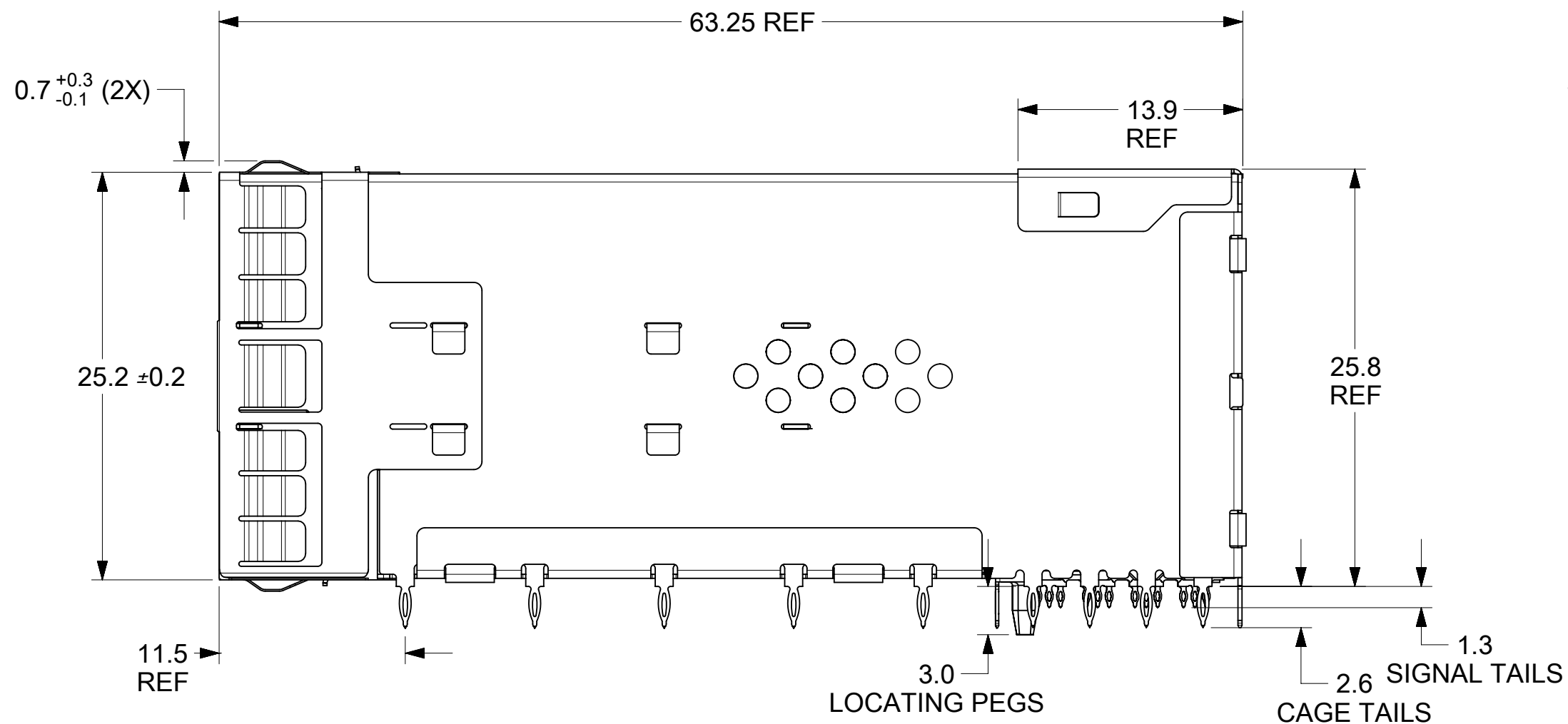
6. REFER TO AS-170071-0001 FOR CONNECTOR MOUNTING AND REWORK INFORMATION.

7. REFER TO AS-206741-0001 FOR PCB ROUTING RECCOMENDATIONS.

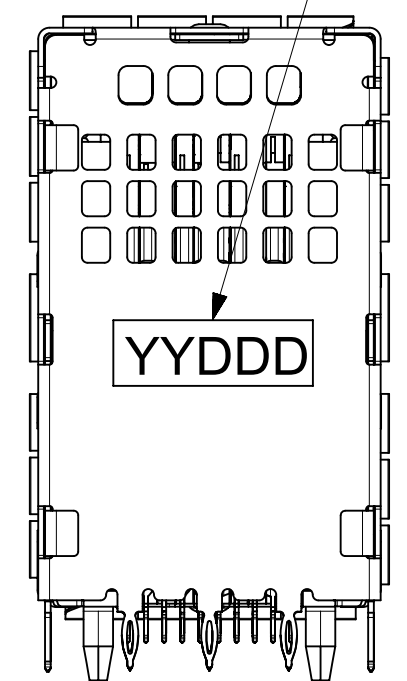
8. DATE CODE LOCATION SHOWN. DATE CODE FORMAT: YYDDD

YY = YEAR, DDD = DAY OF THE YEAR

MARK LOCATED ON LEFT PORT FOR CONFIGURATIONS 2X2, 2X4, 2X6, 2X8, & 2X12.



DATE TIME LASER MARK  
 SEE NOTE 8



PORT SIZE	PART NUMBER	DIM X	DIM Y
2X1	2067411001	14.70	15.10
2X2	2067412001	28.95	29.35
2X4	2067414001	57.45	57.85
2X6	2067416001	85.95	86.35
2X8	2067418001	114.45	114.85
2X12	2067411201	171.45	171.85

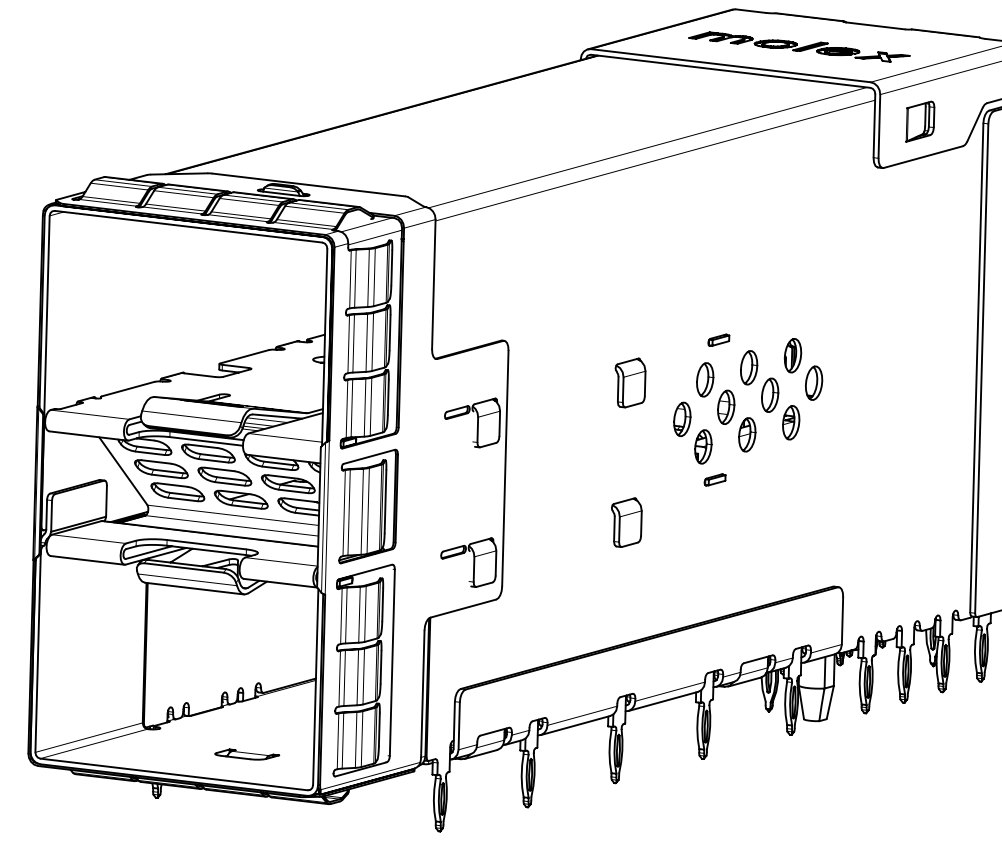
SYMBOLS		THIS DRAWING CONTAINS INFORMATION THAT IS PROPRIETARY TO MOLEX ELECTRONIC TECHNOLOGIES, LLC AND SHOULD NOT BE USED WITHOUT WRITTEN PERMISSION	
▽ = 0	DIMENSION UNITS	SCALE	CURRENT REV DESC:
▽ = 0	mm	3:1	EC NO: 642031
▽ = 0	GENERAL TOLERANCES (UNLESS SPECIFIED)		DRWN: TTAO03 2020/07/22
▽ = 0	ANGULAR TOL ± °		CHK'D: JKACHLIC 2020/08/19
▽ = 0	4 PLACES ±		APPR: JKACHLIC 2020/08/19
▽ = 0	3 PLACES ±		INITIAL REVISION:
▽ = 0	2 PLACES ± 0.13		DRWN: TTAO03 2020/07/22
▽ = 0	1 PLACE ± 0.25		APPR: JKACHLIC 2020/08/19
▽ = 0	0 PLACES ±		
▽ = 0	DRAFT WHERE APPLICABLE MUST REMAIN WITHIN DIMENSIONS	THIRD ANGLE PROJECTION	DRAWING SERIES
▽ = 0		C-SIZE	206741
DOCUMENT STATUS		DOCUMENT NUMBER	DOC TYPE DOC PART REVISION
P1	RELEASE DATE 2020/08/19 08:20:35	2067411400	PSD 000 A
		MATERIAL NUMBER	CUSTOMER SHEET NUMBER
		SEE TABLE	GENERAL MARKET 1 OF 5

**molex**

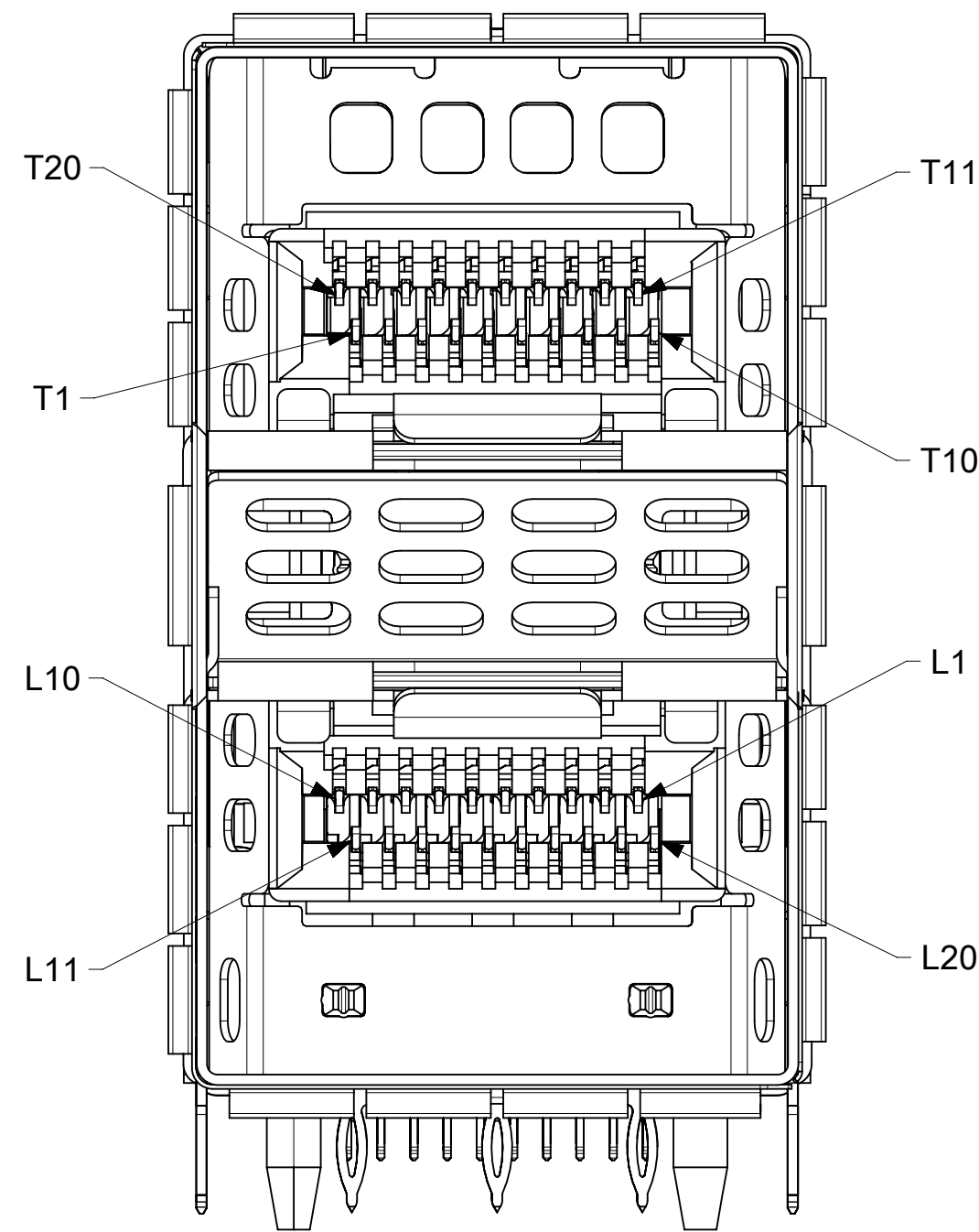
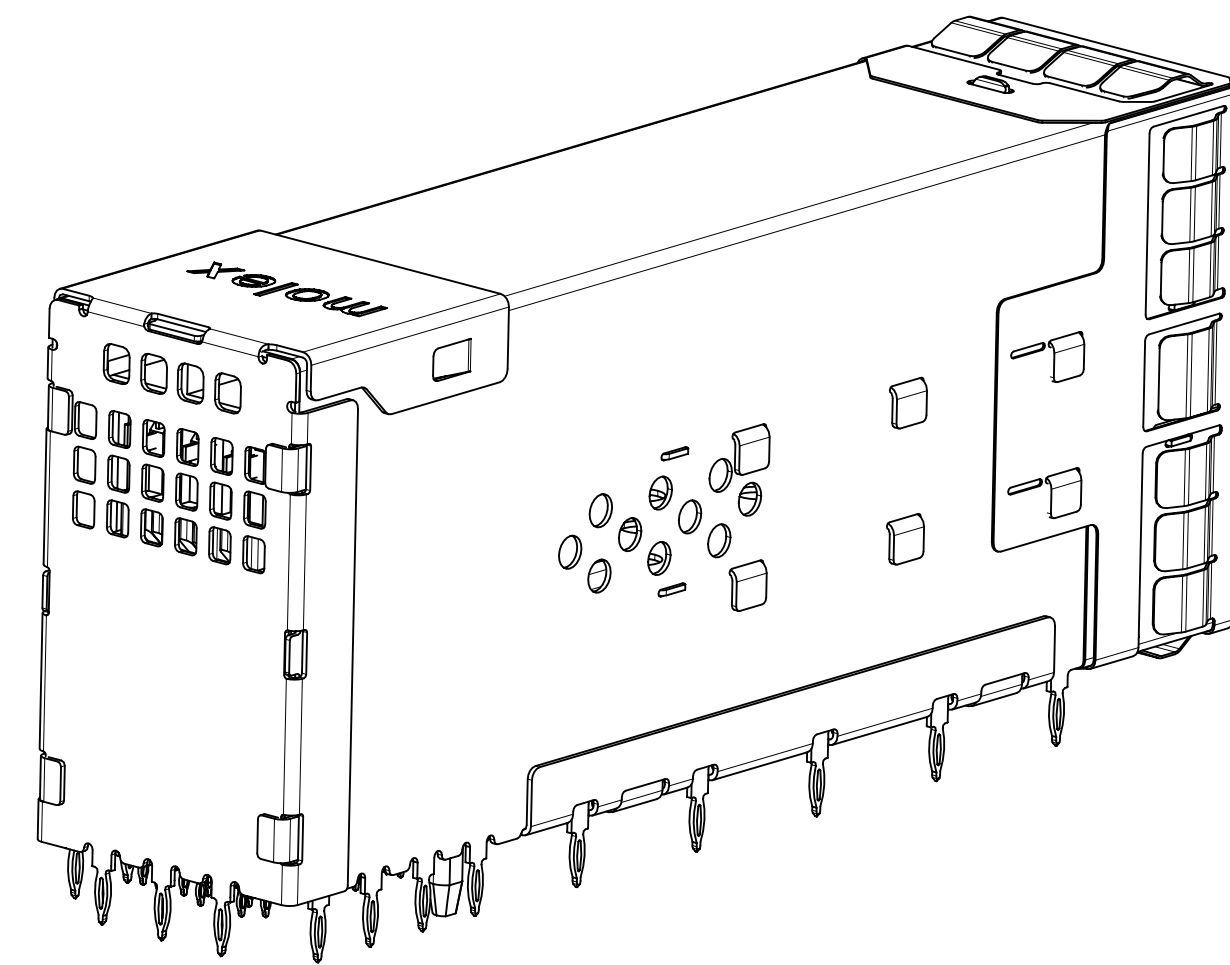
56G ZSFP+ STACKED ASSY WITH AIR VENT


PRODUCT CUSTOMER DRAWING

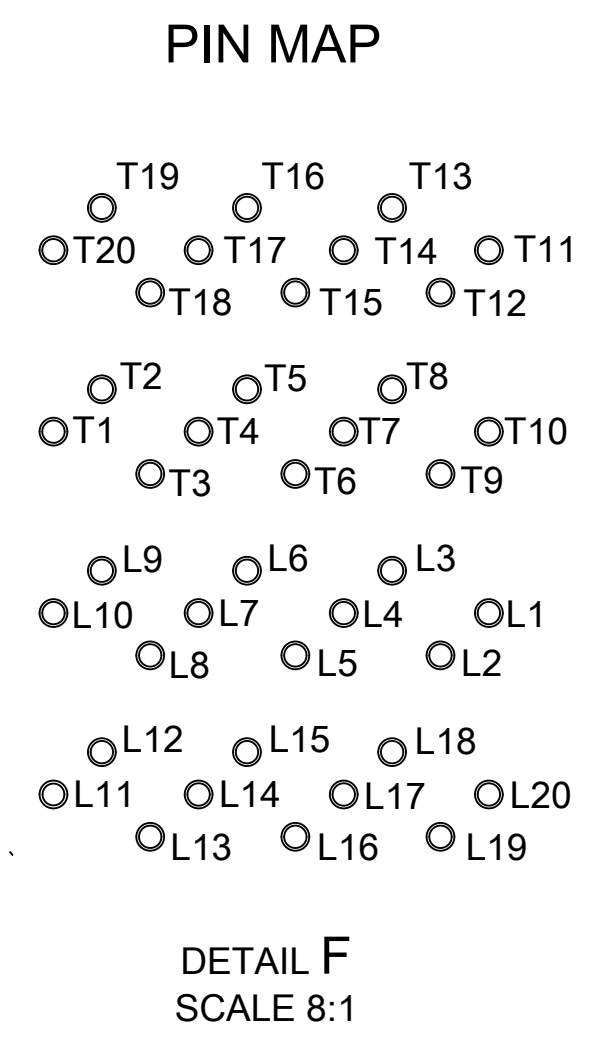
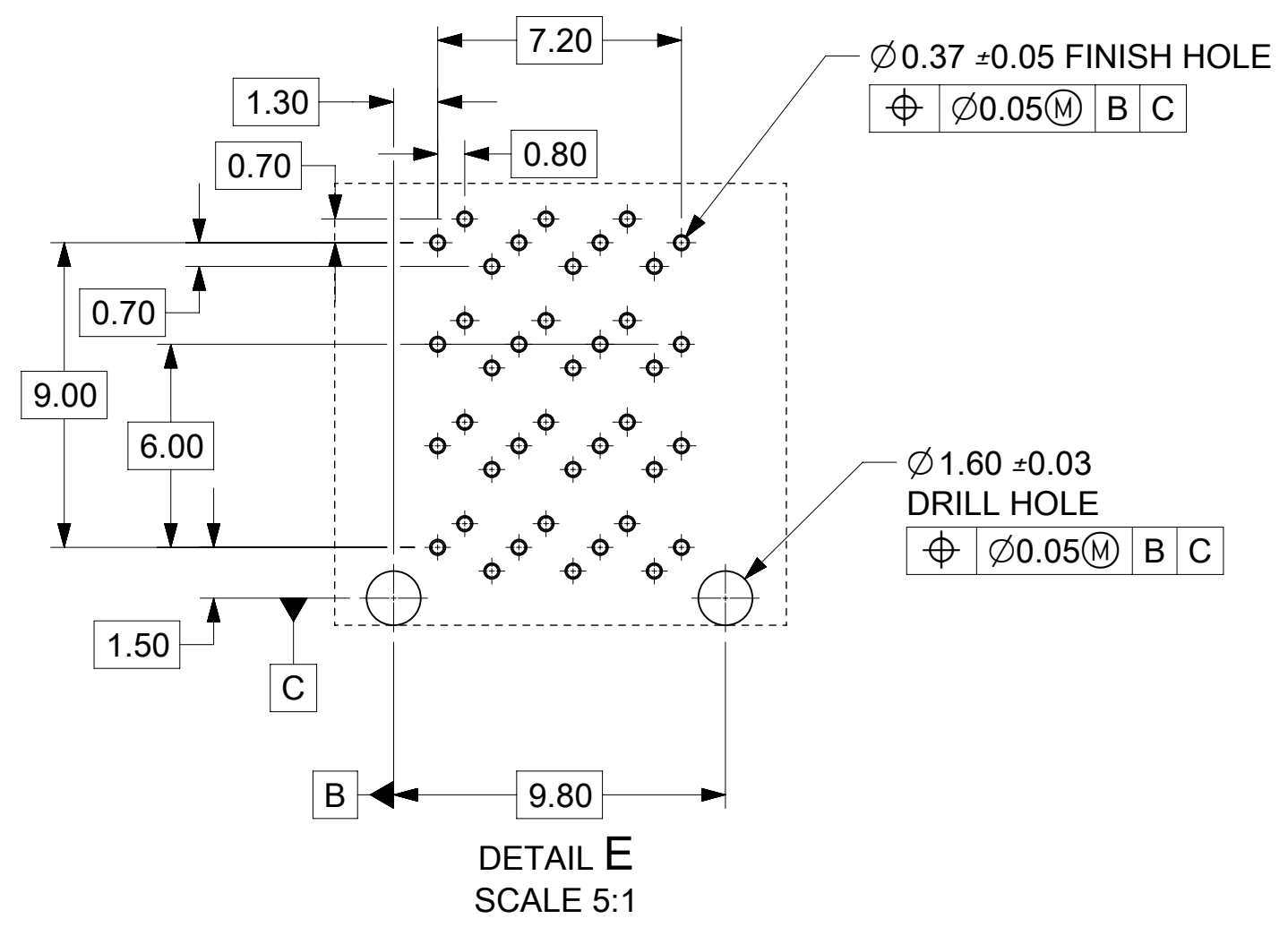
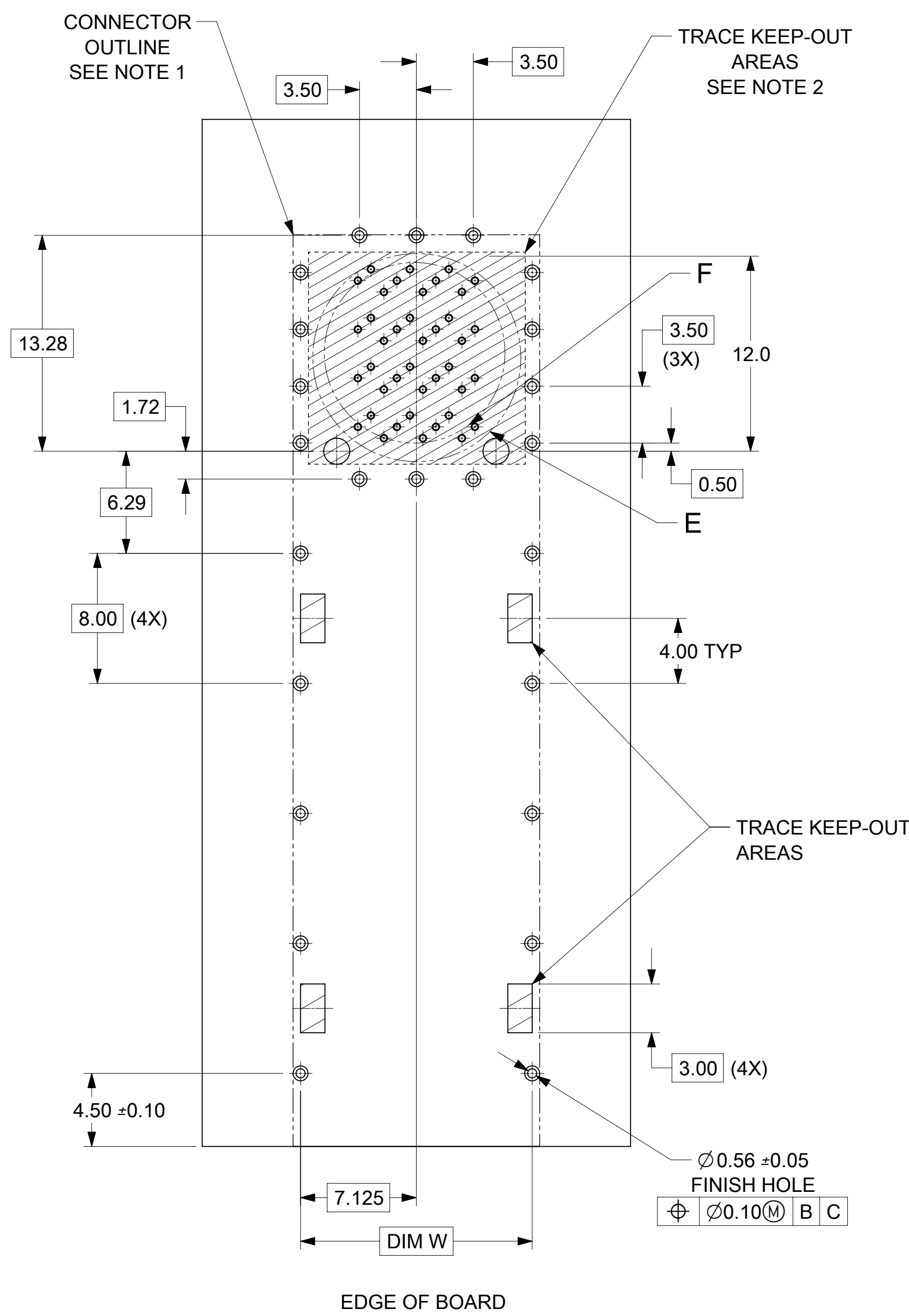
FRONT ISO VIEW



BACK ISO VIEW



SYMBOLS										THIS DRAWING CONTAINS INFORMATION THAT IS PROPRIETARY TO MOLEX ELECTRONIC TECHNOLOGIES, LLC AND SHOULD NOT BE USED WITHOUT WRITTEN PERMISSION									
DIMENSION UNITS		SCALE		CURRENT REV DESC:															
= 0		mm		3:1		EC NO: 642031				2020/07/22				 56G ZSFP+ STACKED ASSY WITH AIR VENT					
= 0		GENERAL TOLERANCES (UNLESS SPECIFIED)		DRWN: TTAO03				2020/08/19											
= 0		ANGULAR TOL ± °		CHK'D: JKACHLIC				2020/08/19				PRODUCT CUSTOMER DRAWING							
= 0		4 PLACES ±		APPR: JKACHLIC				2020/08/19				DOCUMENT NUMBER		DOC TYPE		DOC PART		REVISION	
= 0		3 PLACES ±		INITIAL REVISION:				2020/07/22		2067411400		PSD		000		A			
= 0		2 PLACES ± 0.13		DRWN: TTAO03				2020/07/22		MATERIAL NUMBER		CUSTOMER		SHEET NUMBER					
= 0		1 PLACE ± 0.25		APPR: JKACHLIC				2020/08/19		SEE TABLE		GENERAL MARKET		2 OF 5					
= 0		0 PLACES ±		DRAFT WHERE APPLICABLE MUST REMAIN WITHIN DIMENSIONS		THIRD ANGLE PROJECTION		DRAWING		SERIES		C-SIZE		206741					
= 0		= 0		= 0		= 0		= 0		= 0		= 0		= 0					



PIN MAP LEGEND	
PIN NUMBER	FUNCTION
L1/T1	VEET
L2/T2	TX-FAULT
L3/T3	TX-DISABLE
L4/T4	SDA
L5/T5	SCL
L6/T6	MOD_ABS
L7/T7	RSO
L8/T8	RX_LOS
L9/T9	RSI
L10/T10	VEER
L11/T11	VEER
L12/T12	RD-
L13/T13	RD+
L14/T14	VEER
L15/T15	VCCR
L16/T16	VCCT
L17/T17	VEET
L18/T18	TD+
L19/T19	TD-
L20/T20	VEET

NOTES:  
 1. THE ENTIRE AREA UNDER THE CONNECTOR IS A KEEP OUT ZONE FOR COMPONENTS AND TRACES, TOP LAYER ONLY, EXCEPT FOR CHASSIS GROUND.  
 2. CROSS HATCHED AREAS INDICATE PLACES WHERE THE PLASTIC HOUSING AND METAL CAGE MAY CONTACT PCB SURFACE. THESE AREAS ARE KEEP OUT ZONES. CROSS HATCHED AREA UNDER THE CONNECTOR ARE TRACE AND VIA KEEP OUT AREAS FOR ALL LAYERS.

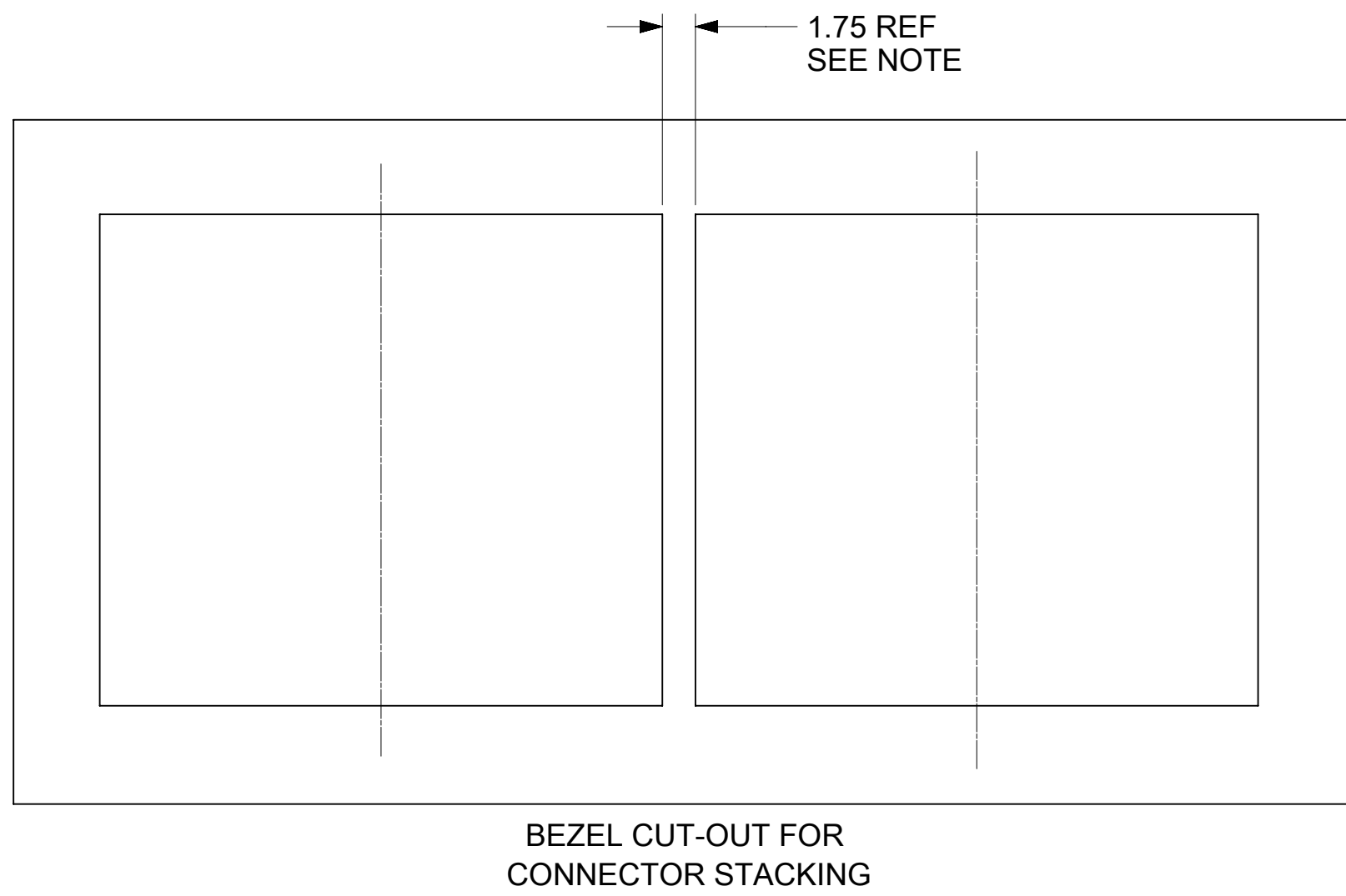
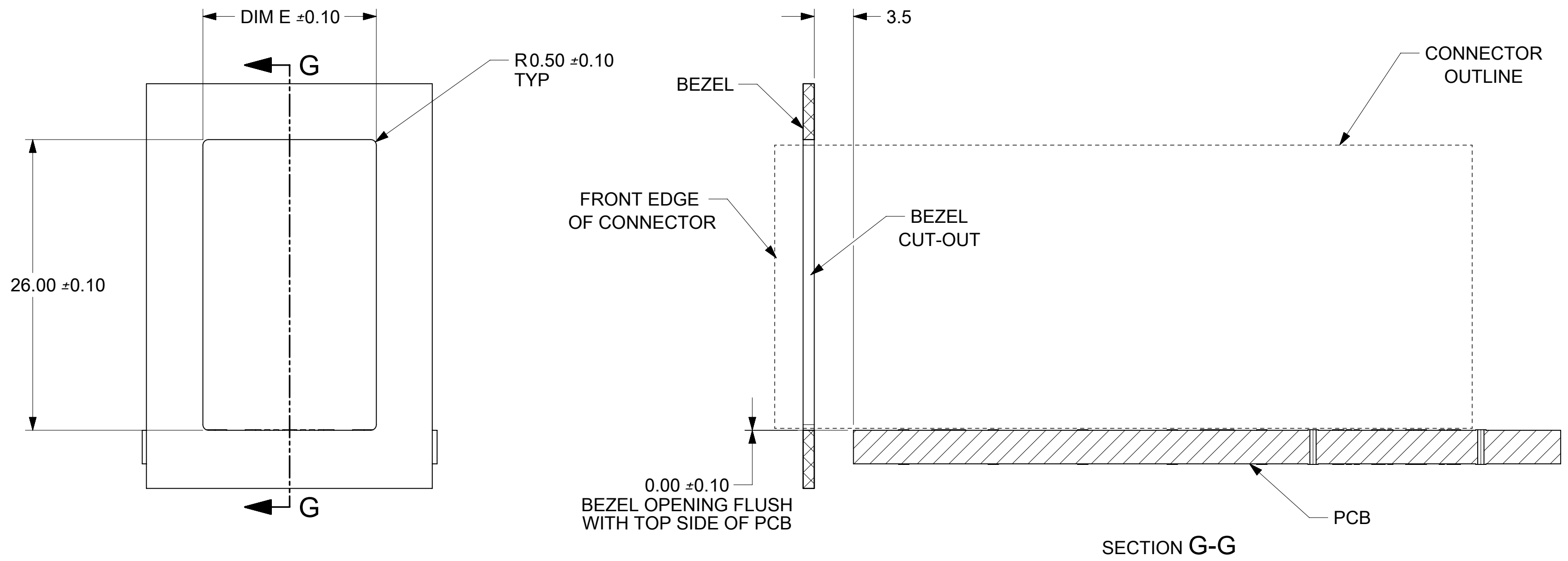
PORT SIZE	DIM "W"	HOLE CHART		
		CONNECTOR Ø0.56	SHIELD	LOCATION
2X1	14.25	40	24	2
2X2	28.50	80	39	4
2X4	57.00	160	69	8
2X6	85.50	240	99	12
2X8	114.00	320	129	16
2X12	171.00	480	189	24

SYMBOLS		THIS DRAWING CONTAINS INFORMATION THAT IS PROPRIETARY TO MOLEX ELECTRONIC TECHNOLOGIES, LLC AND SHOULD NOT BE USED WITHOUT WRITTEN PERMISSION	
▽ = 0	▽ = 0	DIMENSION UNITS	SCALE
▽ = 0	▽ = 0	mm	4:1
▽ = 0	▽ = 0	CURRENT REV DESC:	
▽ = 0	▽ = 0	GENERAL TOLERANCES (UNLESS SPECIFIED)	
▽ = 0	▽ = 0	ANGULAR TOL ± °	
▽ = 0	▽ = 0	EC NO: 642031	
▽ = 0	▽ = 0	DRWN: TTAO03 2020/07/22	
▽ = 0	▽ = 0	CHK'D: JKACHLIC 2020/08/19	
▽ = 0	▽ = 0	APPR: JKACHLIC 2020/08/19	
▽ = 0	▽ = 0	INITIAL REVISION:	
▽ = 0	▽ = 0	DRWN: TTAO03 2020/07/22	
▽ = 0	▽ = 0	APPR: JKACHLIC 2020/08/19	
▽ = 0	▽ = 0	DRAFT WHERE APPLICABLE MUST REMAIN WITHIN DIMENSIONS	THIRD ANGLE PROJECTION
▽ = 0	▽ = 0	DRAWING	SERIES
▽ = 0	▽ = 0	C-SIZE	206741
DOCUMENT STATUS		DOCUMENT NUMBER	DOC TYPE   DOC PART   REVISION
P1	RELEASE DATE 2020/08/19 08:20:35	2067411400	PSD 000 A
MATERIAL NUMBER		CUSTOMER	SHEET NUMBER
SEE TABLE		GENERAL MARKET	3 OF 5



56G ZSFP+ STACKED ASSY WITH AIR VENT

PRODUCT CUSTOMER DRAWING



PORT SIZE	DIM "E"
2X1	15.50
2X2	29.75
2X4	58.25
2X6	86.75
2X8	115.25
2X12	172.25

**NOTE:**

FOR SIDE BY SIDE STACKING OF CONNECTORS. A BASIC DIMENSION OF 3.0mm BETWEEN CONNECTOR MOUNTING PATTERNS IS THE RECOMMENDED MINIMUM SPACING.

THIS DRAWING CONTAINS INFORMATION THAT IS PROPRIETARY TO MOLEX ELECTRONIC TECHNOLOGIES, LLC AND SHOULD NOT BE USED WITHOUT WRITTEN PERMISSION										
<b>SYMBOLS</b>		DIMENSION UNITS		SCALE		CURRENT REV DESC:				
▽ = 0	mm	3:1	EC NO: 642031							
▽ = 0	GENERAL TOLERANCES (UNLESS SPECIFIED)		DRWN: TTAO03 2020/07/22							
▽ = 0	ANGULAR TOL ± °		CHK'D: JKACHLIC 2020/08/19							
▽ = 0	4 PLACES ±		APPR: JKACHLIC 2020/08/19							
▽ = 0	3 PLACES ±		INITIAL REVISION:							
▽ = 0	2 PLACES ± 0.13		DRWN: TTAO03 2020/07/22							
▽ = 0	1 PLACE ± 0.25		APPR: JKACHLIC 2020/08/19							
▽ = 0	0 PLACES ±		DRAFT WHERE APPLICABLE MUST REMAIN WITHIN DIMENSIONS		THIRD ANGLE PROJECTION		DRAWING		SERIES	
▽ = 0			C-SIZE		206741		MATERIAL NUMBER		CUSTOMER	
			SEE TABLE		GENERAL MARKET		DOCUMENT NUMBER		DOC TYPE   DOC PART   REVISION	
			2067411400		PSD 000 A		SHEET NUMBER		4 OF 5	

**molex**

56G ZSFP+ STACKED ASSY WITH AIR VENT

PRODUCT CUSTOMER DRAWING

REV	DATE	DESCRIPTION
A	2020/08/03	INITIAL RELEASE

FUNCTIONAL SYMBOLS	THIS DRAWING CONTAINS INFORMATION THAT IS PROPRIETARY TO MOLEX ELECTRONIC TECHNOLOGIES, LLC AND SHOULD NOT BE USED WITHOUT WRITTEN PERMISSION										
	DIMENSION UNITS	SCALE	CURRENT REV DESC:							<b>molex</b>	
$\frac{F}{A} = 0$	mm	1:1	EC NO: 642031								
$\frac{F}{C} = 0$	GENERAL TOLERANCES (UNLESS SPECIFIED)		DRWN: TTAO03 2020/07/22							PRODUCT CUSTOMER DRAWING	
$\frac{F}{P} = 0$	ANGULAR TOL ± °		CHK'D: JKACHLIC 2020/08/19							DOCUMENT NUMBER	
DIVISIONAL SYMBOLS	4 PLACES ±		APPR: JKACHLIC 2020/08/19							DOC TYPE	
	3 PLACES ±		INITIAL REVISION:							DOC PART	
	2 PLACES ± 0.13		DRWN: TTAO03 2020/07/22							REVISION	
	1 PLACE ± 0.25		APPR: JKACHLIC 2020/08/19							2067411400	
0 PLACES ±		THIRD ANGLE PROJECTION		DRAWING	SERIES	MATERIAL NUMBER	CUSTOMER	SHEET NUMBER			
DRAFT WHERE APPLICABLE MUST REMAIN WITHIN DIMENSIONS				C-SIZE	206741	SEE TABLE	GENERAL MARKET	5 OF 5			

DOCUMENT STATUS	P1	RELEASE DATE	2020/08/19 08:20:35
-----------------	----	--------------	---------------------