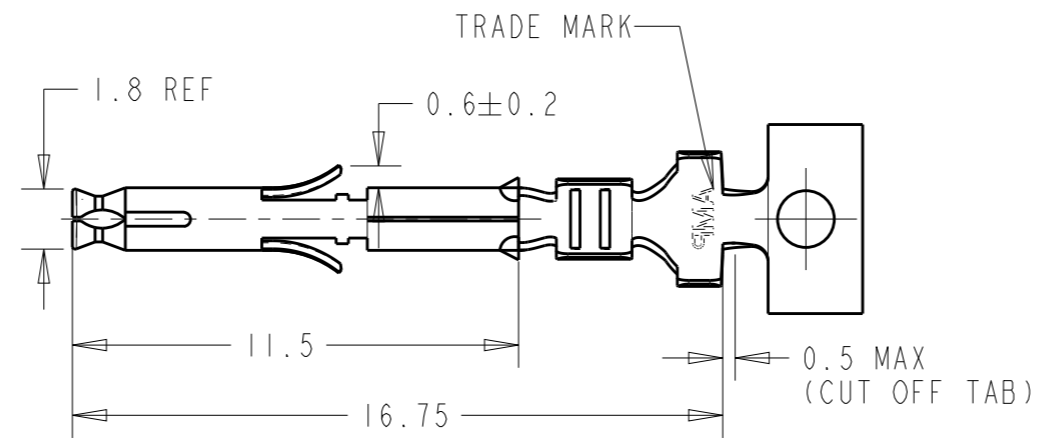
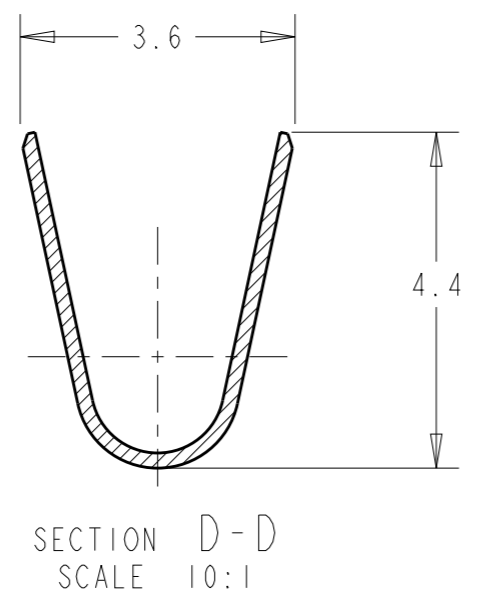
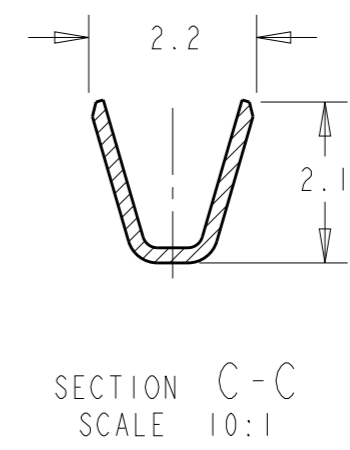
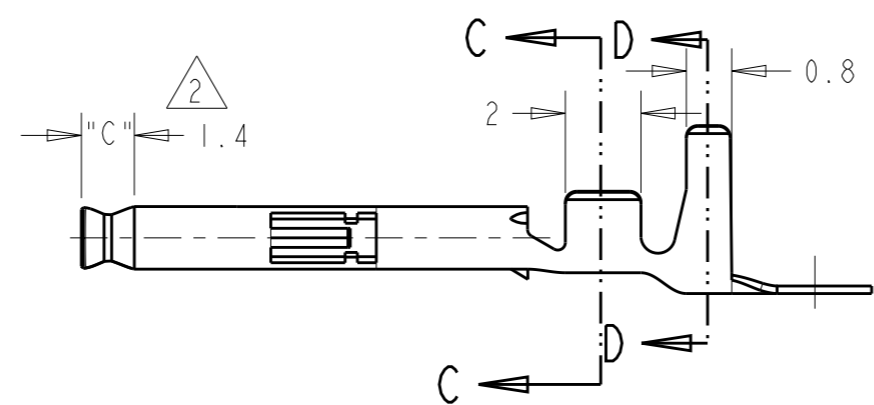
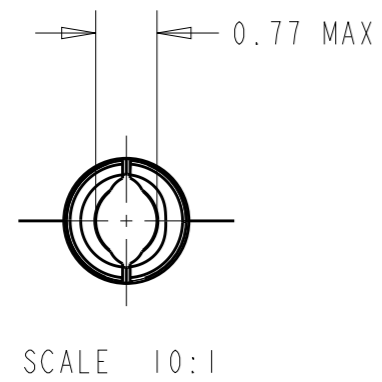



P	LTR	DESCRIPTION	DATE	DWN	APVD
	J2	REVISED PER ECR-20-005023	24APR2020	BDA	SW
	J3	REVISED PER ECR-20-100305	13AUG2020	PJ	VS
	K	REVISED PER ECR-20-100490	30SEP2020	PC	SW



- 1 APPLICABLE HOUSING : CAP AND PLUG
- 2 SELECTIVE GOLD PLATED AREA "C"  
0.0004mm MIN THICK OVER Ni PLATE ON INSIDE SURFACE.
- 4 MATING PART NUMBERS:  
170359, 170360, 170363, 170364.
- 5 WIRE RANGE: 18-22 AWG, 2X 22AWG.
- 6 INSULATION DIA: 1.5-2.4mm,  
3.4mm MAX FOR TWO WIRE CRIMP.



LOOSE PIECE PART NUMBER	FINISH	MATERIAL	PART NUMBER
170366-4	PRE-TIN	PHOZ.BRONZ	170362-4
170366-3	2	BRASS	170362-3
170366-1	PRE-TIN	BRASS	170362-1

THIS DRAWING IS A CONTROLLED DOCUMENT.		DWN N. YAMASAKI 28FEB1994	 TE Connectivity	
DIMENSIONS: mm		CHK M. SHINDO 28FEB1994		
TOLERANCES UNLESS OTHERWISE SPECIFIED:		APVD Y. KASHIWA 4MAR1994	NAME MINI UNIVERSAL M-N-L SOCKET CONTACT	
0 PLC ±0.3		PRODUCT SPEC 108-5138	SIZE A3	
1 PLC ±0.3		APPLICATION SPEC 114-5050	CAGE CODE 00779	DRAWING NO C-170362
2 PLC ±0.3		WEIGHT -	RESTRICTED TO -	
3 PLC ±		CUSTOMER DRAWING	SCALE 5:1	
4 PLC ±			SHEET 1 OF 1	
ANGLES ±3°		REV K		
MATERIAL SEE TABLE	FINISH SEE TABLE			