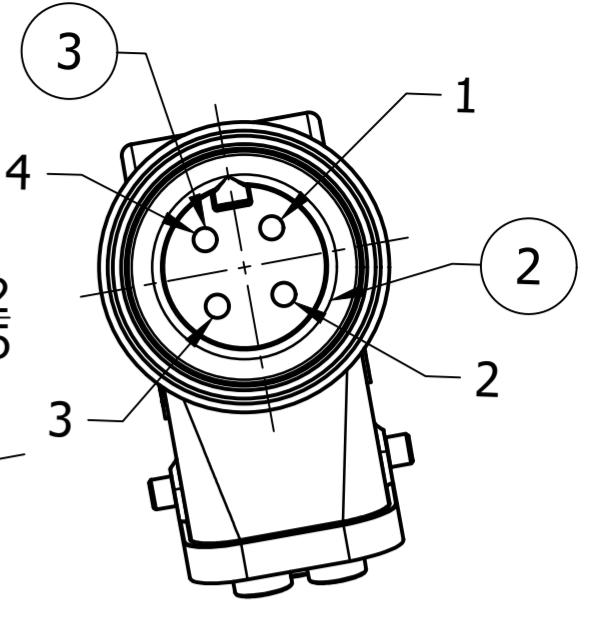
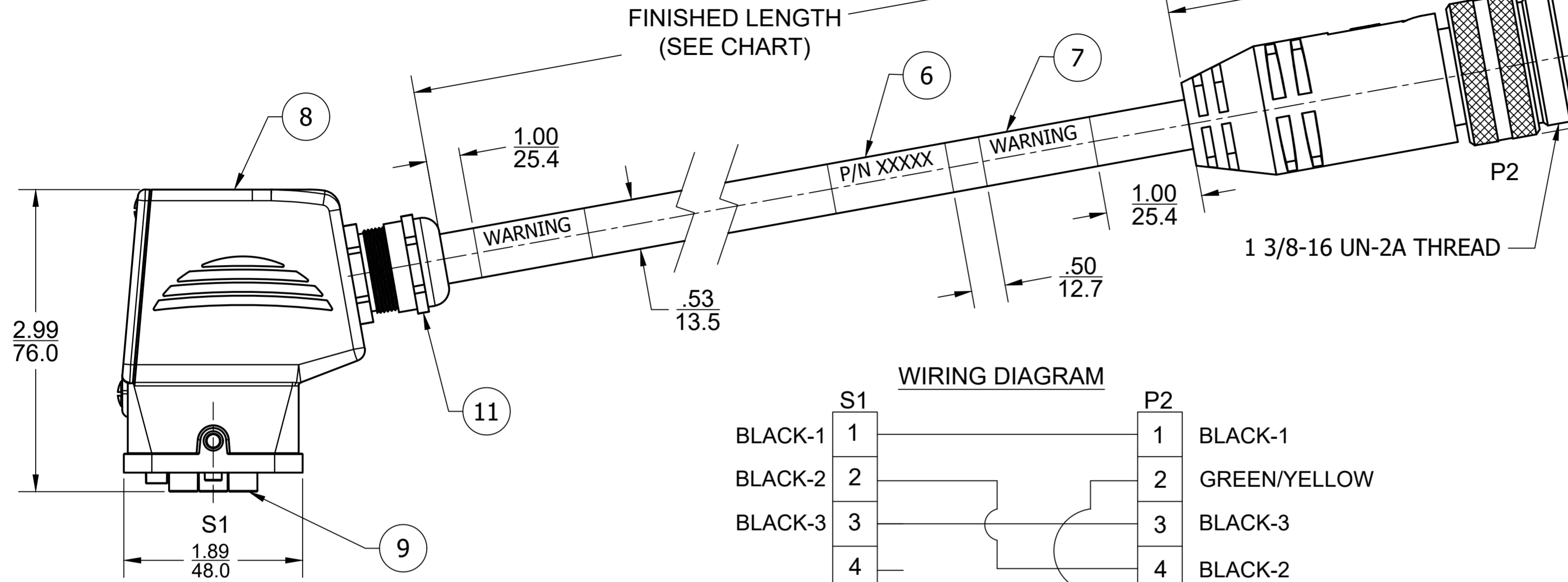


MATERIAL NO.	ENGINEERING NO.	FINISHED LENGTH
1302490130	130249-0130-M010	1M [3 FT 3 IN]
1302490135	130249-0130-M100	10M [32 FT 9 IN]
1302490137	130249-0130-M250	25M [82 FT]



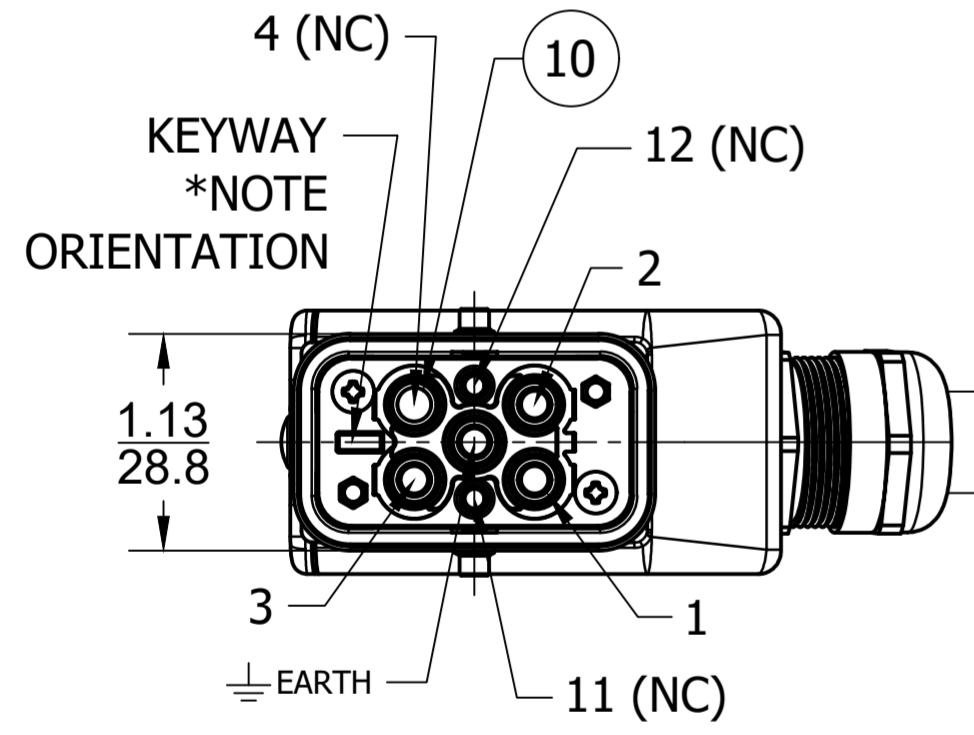
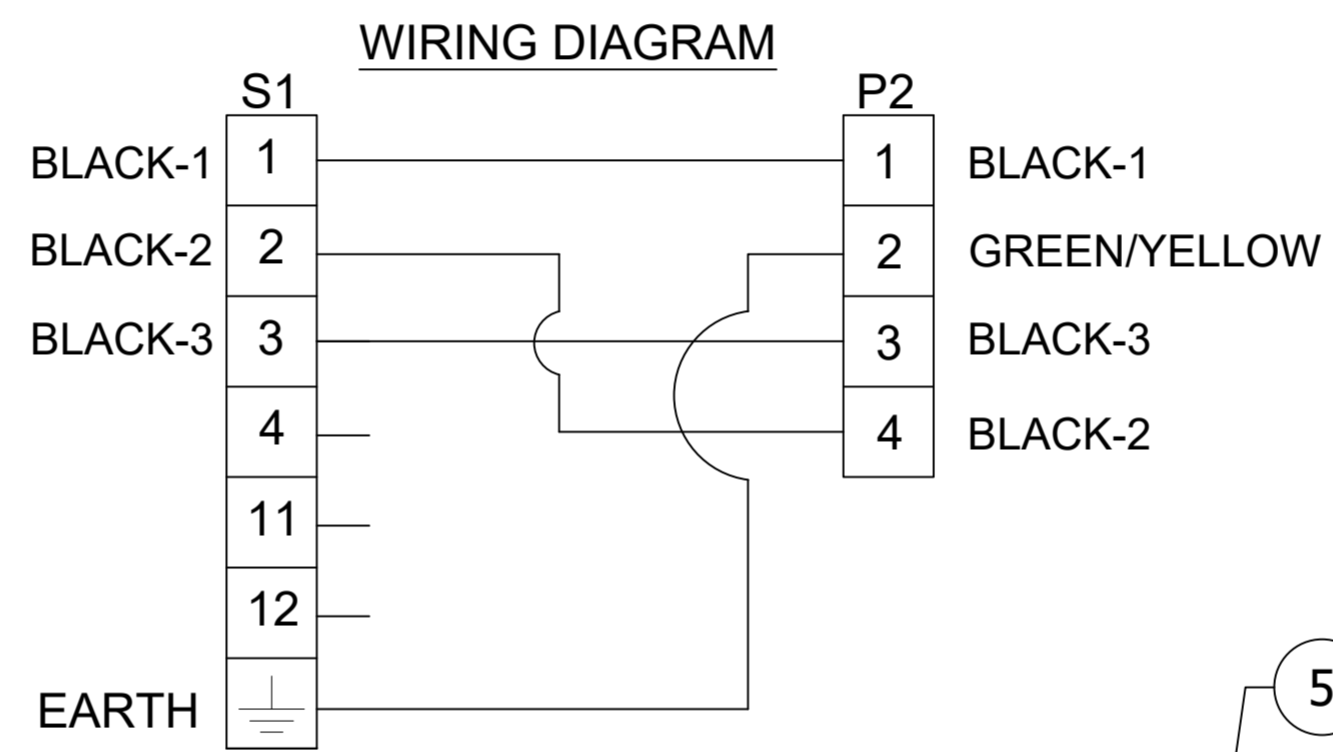
MALE FACE VIEW

CUSTOMER PRODUCTION APPROVAL
 APPROVED BY: _____
 DATE: _____
 MUST BE SIGNED AND RETURNED BEFORE
 PRODUCTION WILL BEGIN.

RESTRICTED SALES DRAWING

CABLE LENGTH TOLERANCES

<.3M [1FT]:	+19mm-0 [+.75in-0]
.3 - .9M [1 - 3FT]:	+44.5mm-0 [+1.75in-0]
.9 - 1.8M [3 - 6FT]:	+55.6mm-0 [+2.19in-0]
1.8 - 3.7M [6 - 12FT]:	+88.9mm-0 [+3.50in-0]
3.7 - 7.3M [12 - 24FT]:	+165.1mm-0 [+6.50in-0]
7.3-14.6M [24 - 48FT]:	+317.5mm-0 [+12.50in-0]
14.6 - 30.5M [48-100FT]:	+622.3mm-0 [+24.50in-0]
OVER 30M [100FT]	+2% OF FINISHED LENGTH



FEMALE FACE VIEW

PART NO. MATRIX
130249-0130-M010

LENGTH
 M005 = .5 METER
 M010 = 1 METER
 M100 = 10 METER

- NOTES:**
1. MATERIALS: SEE TABLE
 2. FINISHES: SEE TABLE
 3. ELECTRICAL:
 - VOLTAGE: 500V PER IEC60664 ^(B)
 - 600V PER UL2237
 - CURRENT: 32A
 4. TEMP RATING: -20° C TO +90° C ^(B)
 5. ALL DIMENSIONS ARE FOR REFERENCE UNLESS TOLERANCED OR NOTED OTHERWISE

ITEM	DESCRIPTION	MATERIAL	FINISH
11	METAL CABLE GLAND	BRASS	NICKEL PLATED
10	FEMALE CONTACT SOCKET	COPPER ALLOY	SILVER PLATED
9	INSERT, FEMALE	POLYCARBONATE	GREY
8	METAL GW CONNECT HOOD	DIE CAST ALUMINUM ALLOY	GREY
7	WARNING LABEL	VINYL	ORANGE/BLACK
6	WRAP LABEL	VINYL	BLACK/YELLOW
5	OVERMOLD	TPE	BLACK
4	COUPLING, MALE	ALUMINUM	CLEAR ANODIZE
3	MALE CONTACT PIN	COPPER ALLOY	GOLD PLATED
2	INSERT, MALE	TPE	BLACK
1	CABLE, #10-4 TC-ER	TPE JACKET	BLACK

FUNCTIONAL SYMBOLS	THIS DRAWING CONTAINS INFORMATION THAT IS PROPRIETARY TO MOLEX ELECTRONIC TECHNOLOGIES, LLC AND SHOULD NOT BE USED WITHOUT WRITTEN PERMISSION	CURRENT REV DESC: ITEM# 2 & 5 WERE PVC. ADDED TEMP RATING. MODIFIED MATERIAL TABLE. ADDED IEC VOLTAGE	
	DIMENSION UNITS	SCALE	
DIVISIONAL SYMBOLS	INCH/MM	NTS	
	GENERAL TOLERANCES (UNLESS SPECIFIED)		
	mm	INCH	
	4 PLACES ±----	±----	
	3 PLACES ±----	±----	
	2 PLACES ±----	±----	
	1 PLACE ±----	±----	
	0 PLACES ±----	±----	
	ANGULAR TOL ± ---- °		
	DRAFT WHERE APPLICABLE MUST REMAIN WITHIN DIMENSIONS	THIRD ANGLE PROJECTION	DRAWING
			C-SIZE
		SERIES	130249
		EC NO: 664420	
		DRWN: ABENJAMINLW	2020/12/31
		CHK'D: RSTONE	2021/05/19
		APPR: BWOODMAN	2021/05/19
		INITIAL REVISION:	
		DRWN: MZIELINS	2017/05/25
		APPR: BWOODMAN	2017/06/14
		DOCUMENT NUMBER	DOC TYPE/DOC PART/REVISION
		SD-130249-008	PSD 001 B
		MATERIAL NUMBER	CUSTOMER
		SEE CHART	GENERAL MARKET
		SHEET NUMBER	1 OF 1