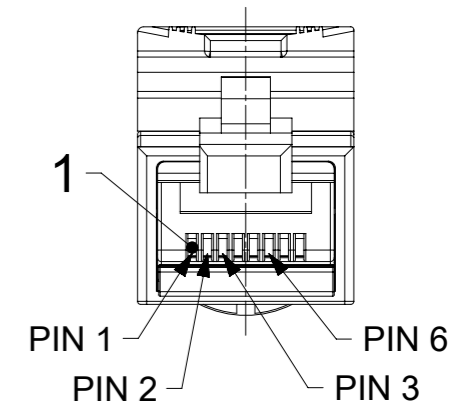
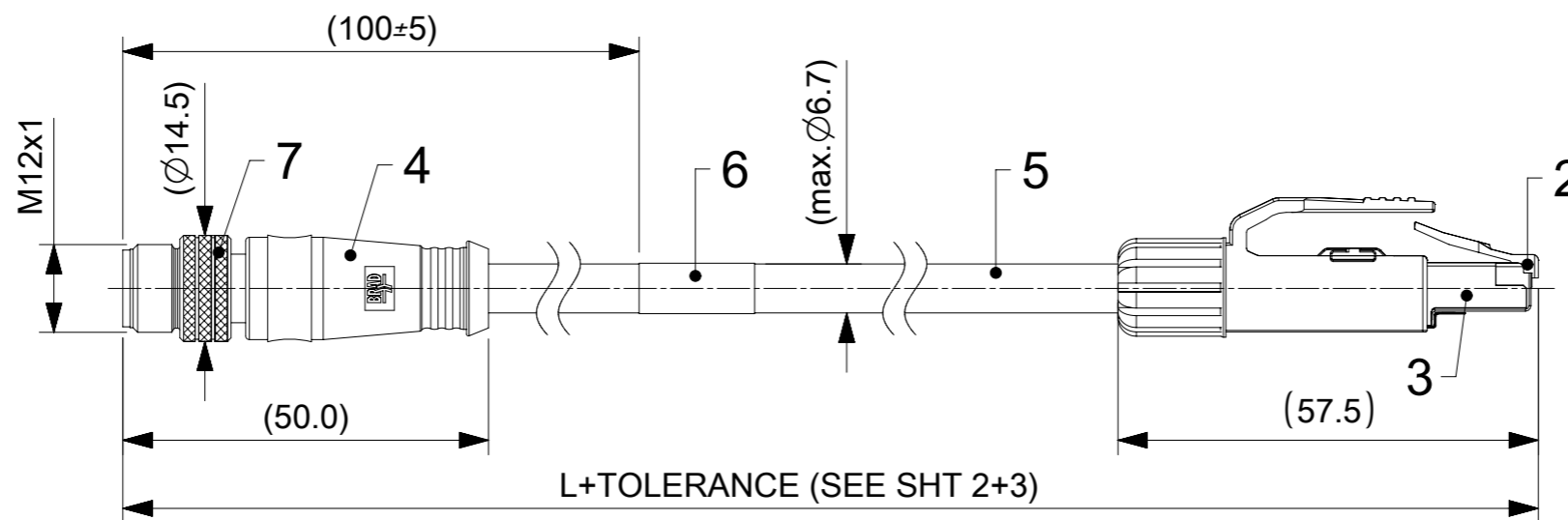
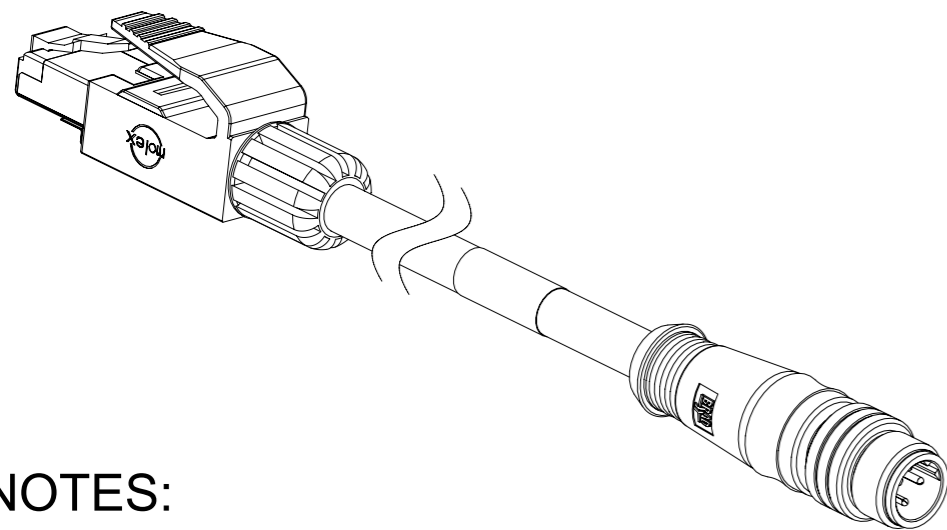


FRONT VIEW
SCALE 2:1



FRONT VIEW
SCALE 2:1



WIRING DIAGRAM



NOTES:

- ELECTRICAL DATA:
MAX. VOLTAGE RATING 60 VDC
MAX. CURRENT PER CONTACT 1.5 A
- ENVIRONMENTAL:
OPERATING TEMPERATURE SEE SHEET 2
INDEX OF PROTECTION RJ45: IP20
INDEX OF PROTECTION M12: IP67
- FOR MORE INFORMATION SEE PRODUCT SPECIFICATION 1201080202 PS P00

BOM

ITEM	QTY.	DESCRIPTION	MATERIAL	FINISH/COLOR
9	4	CONTACTS M12 MALE	BRASS	SELECTIVE GOLD
8	1	INSERT 4P MALE	PUR	BLACK
7	1	COUPLING NUT M12 MALE	BRASS	NICKEL
6	1	LABEL 50x69.8	VINYL	WHITE
5	-	CABLE	SEE SHEET 2	---
4	-	OVERMOLD	TPU	BLACK
3	1	SHIELD	BRASS	TIN
2	1	PLUG RJ45 TRANSPARENT	POLYCARBONATE	---
1	4 or 8	CONTACT RJ45 MALE	PHOSPHOR BRONZE	SELECTIVE GOLD

THIS DRAWING CONTAINS INFORMATION THAT IS PROPRIETARY TO MOLEX ELECTRONIC TECHNOLOGIES, LLC AND SHOULD NOT BE USED WITHOUT WRITTEN PERMISSION

FUNCTIONAL SYMBOLS: $\nabla/A = 0$, $\nabla/E = 0$, $\nabla/P = 0$

DIMENSION UNITS: mm, SCALE: 1:1

GENERAL TOLERANCES (UNLESS SPECIFIED):
ANGULAR TOL ± 1.0°
4 PLACES ±
3 PLACES ±
2 PLACES ± 0.05
1 PLACE ± 0.1
0 PLACES ± 0.2

DIVISIONAL SYMBOLS: DRAFT WHERE APPLICABLE MUST REMAIN WITHIN DIMENSIONS

THIRD ANGLE PROJECTION:

DRAWING: A3-SIZE

SERIES: 120108

MATERIAL NUMBER: SEE SHEET 3

CUSTOMER: GENERAL MARKET

SHEET NUMBER: 1 OF 3

EC NO: 648270
DRWN: RSCHIEBER 2020/11/02
CHK'D: RSILLER 2020/11/03
APPR: RSILLER 2020/11/03

INITIAL REVISION:
DRWN: JMARSZALEK 2015/07/07
APPR: RSILLER 2020/05/12

DOCUMENT NUMBER: 1201080256

DOC TYPE: PSD

DOC PART: 000

REVISION: A3

molex

CSE M12 RJ45 4P DC MA STR MA STR XM

PRODUCT CUSTOMER DRAWING

NUMERICAL CODE (Available parts see PART LIST table. Other parts available upon request).

OPTIONS

E 1 6 A 0 6 0 X X M X X X X

E=Ethernet

Heads:
1=M12x1
4P D-Code
6=RJ45

Wiring
type

Heads style:
060=MA M12 STR
/ RJ45 Plug STR

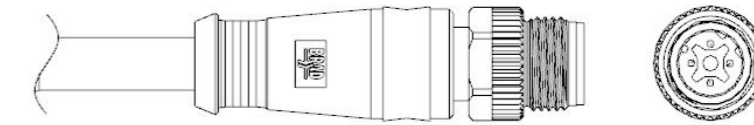
Cable type:
See cable table

Units:
M=Meter
T=10x meter

Length
Examples:
005=0.5 units
010=1 units
150=15 units

H= 2 pcs. of
I/D Carrier

FOR CABLE TYPE "12" & "16"
KNURLED/HEXAGONAL NUT - 1202070090



CABLE INFORMATION (for more information see Cable Data Sheet).

CABLE TYPE	CABLE O.D.	APPLICATION	CROSS SECTION	CABLE JACKET	UL	TEMP. RANGE STATIC BENDING RADIUS STATIC	TEMP. RANGE DYNAMIC BENDING RADIUS DYNAMIC	CYCLES	ADDITIONAL INFORMATION
11	6.7mm	PROFINET TYPE C	22AWG	PUR GREEN	STYLE 20236	-20°C to +60°C / min.5xO.D.	-20°C to +60°C / min.15xO.D.	about 2M	-
12	6.7mm	PROFINET TYPE C	22AWG	TPU BASED GREEN	STYLE 21215	-40°C to +80°C / min.5xO.D.	-25°C to +80°C / min.15xO.D.	about 2M, min.15xO.D., -5°C to +60°C	WSOR

OVER	UP TO AND INCLUDING	TOLERANCE
0	305	+19
305	915	+45
915	1830	+56
1830	3660	+89
3660	7320	+165
7320	14640	+317
14640	30500	+610
30500	>	+2% OF LENGTH

FUNCTIONAL SYMBOLS FA = 0 FB = 0 FC = 0	THIS DRAWING CONTAINS INFORMATION THAT IS PROPRIETARY TO MOLEX ELECTRONIC TECHNOLOGIES, LLC AND SHOULD NOT BE USED WITHOUT WRITTEN PERMISSION	SCALE 1:1	CURRENT REV DESC: CABLE LENGHT TOL.+ DIM. UPDATED		molex	
	GENERAL TOLERANCES (UNLESS SPECIFIED)	EC NO: 648270		CSE M12 RJ45 4P DC MA STR MA STR XM		
	ANGULAR TOL ± 1.0 °	4 PLACES ±	DRWN: RSCHIEBER 2020/11/02			
DIVISIONAL SYMBOLS	3 PLACES ±	2 PLACES ± 0.05	1 PLACE ± 0.1	0 PLACES ± 0.2	PRODUCT CUSTOMER DRAWING	
	INITIAL REVISION: DRWN: JMARSZALEK 2015/07/07 APPR: RSILLER 2020/05/12		DOCUMENT NUMBER 1201080256	DOC TYPE PSD	DOC PART 000	REVISION A3
	DRAFT WHERE APPLICABLE MUST REMAIN WITHIN DIMENSIONS	THIRD ANGLE PROJECTION	DRAWING A3-SIZE	SERIES 120108	MATERIAL NUMBER SEE SHEET 3	CUSTOMER GENERAL MARKET

PART LIST

No.	Part No.	Engineering No.	L (Cable Length)
1	1201080203	E16A06011M020	2m
2	1201080256	E16A06011M010	1m
3	1201080257	E16A06011M050	5m
4	1201080258	E16A06011M100	10m
5	1201080259	E16A06011M150	15m
6	1201080260	E16A06011M200	20m
7	1201080261	E16A06011M250	25m
8	1201080262	E16A06011M300	30m
9	1201080263	E16A06011M500	50m
10	1201080285	E16A06011M060	6m
11	1201080286	E16A06011M080	8m
12	1201080289	E16A06011M040	4m
13	1201080290	E16A06011M090	9m
14	1201080291	E16A06011M120	12m
15	1201080292	E16A06011M140	14m
16	1201080293	E16A06011M180	18m
17	1201080294	E16A06011M700	70m
18	1201080521	E16A06012M010	1m
19	1201080522	E16A06012M020	2m
20	1201080524	E16A06012M100	10m
21	1201088120	E16A06011M005	0.5m
22	1201088121	E16A06011M030	3m
23	1201088122	E16A06011M070	7m
24	1201088123	E16A06011M230	23m
25	1201088196	E16A06011M900	90m
26	1201088199	E16A06011M400	40m
27	1201088200	E16A06011T100	10m
28	1201088255	E16A06011M002	0.2m
29	1201088266	E16A06012M020H	2m
30	1201088272	E16A06012M010H	1m
31	1201088273	E16A06012M050H	5m
32	1201088274	E16A06012M100H	10m
33	1201088275	E16A06012M150H	15m
34	1201088276	E16A06012M200H	20m
35	1201088277	E16A06012M250H	25m

No.	Part No.	Engineering No.	L (Cable Length)
36	1201088278	E16A06012M300H	30m
37	1201088279	E16A06012M500H	50m
38	1201088286	E16A06012M700H	70m
39	1201088290	E16A06012M005H	0.5m
40	1201088291	E16A06012M900H	90m
41	1201088292	E16A06012M400H	40m
42	1201088299	E16A06012M002H	0.2m
43	1201088329	E16A06012M010	1m
44	1201088330	E16A06012M020	2m
45	1201088331	E16A06012M030	3m
46	1201088332	E16A06012M040	4m
47	1201088333	E16A06012M050	5m
48	1201088334	E16A06012M060	6m
49	1201088335	E16A06012M080	8m
50	1201088336	E16A06012M090	9m
51	1201088338	E16A06012M120	12m
52	1201088339	E16A06012M150	15m
53	1201088340	E16A06012M200	20m
54	1201088341	E16A06012M250	25m
55	1201088342	E16A06012M300	30m
56	1201088343	E16A06012M350	35m
57	1201088344	E16A06012M400	40m
58	1201088345	E16A06012M450	45m
59	1201088346	E16A06012M500	50m
60	1201088347	E16A06012M550	55m
61	1201088348	E16A06012M600	60m
62	1201088349	E16A06012M650	65m
63	1201088350	E16A06012M700	70m
64	1201088351	E16A06012M750	75m
65	1201088352	E16A06012M800	80m
66	1201088388	E16A06011M350	35m
67	1201088399	E16A06012M030H	3m
68	1201088400	E16A06012M600H	60m
69	1201088401	E16A06012M1K0H	100m
70	1201088537	E16A06012M080H	8m

FUNCTIONAL SYMBOLS	THIS DRAWING CONTAINS INFORMATION THAT IS PROPRIETARY TO MOLEX ELECTRONIC TECHNOLOGIES, LLC AND SHOULD NOT BE USED WITHOUT WRITTEN PERMISSION		
	$\nabla_A = 0$ $\nabla_E = 0$ $\nabla_P = 0$	DIMENSION UNITS: mm SCALE: 1:1	CURRENT REV DESC: CABLE LENGHT TOL. + DIM. UPDATED
DIVISIONAL SYMBOLS	GENERAL TOLERANCES (UNLESS SPECIFIED)		molex CSE M12 RJ45 4P DC MA STR MA STR XM PRODUCT CUSTOMER DRAWING
	ANGULAR TOL $\pm 1.0^\circ$		
	4 PLACES \pm	EC NO: 648270	
	3 PLACES \pm	DRWN: RSCHIEBER 2020/11/02	
2 PLACES ± 0.05	CHK'D: RSILLER 2020/11/03	APPR: RSILLER 2020/11/03	
1 PLACE ± 0.1	INITIAL REVISION:		
0 PLACES ± 0.2	DRWN: JMARSZALEK 2015/07/07	APPR: RSILLER 2020/05/12	
DRAFT WHERE APPLICABLE MUST REMAIN WITHIN DIMENSIONS	THIRD ANGLE PROJECTION	DRAWING	SERIES
		A3-SIZE	120108
		MATERIAL NUMBER	CUSTOMER
		SEE SHEET 3	GENERAL MARKET
		DOCUMENT NUMBER	DOC TYPE DOC PART REVISION
		1201080256	PSD 000 A3
			SHEET NUMBER
			3 OF 3