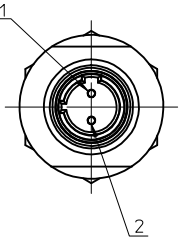
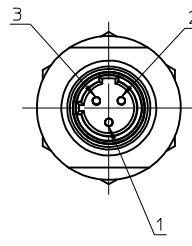
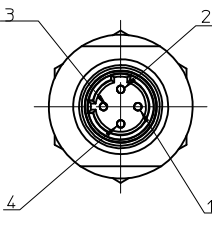
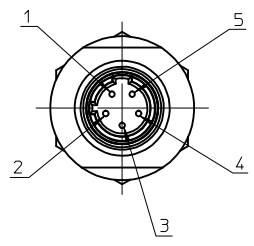
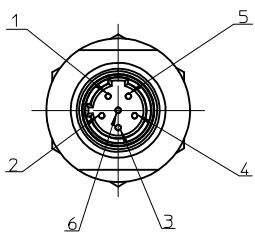
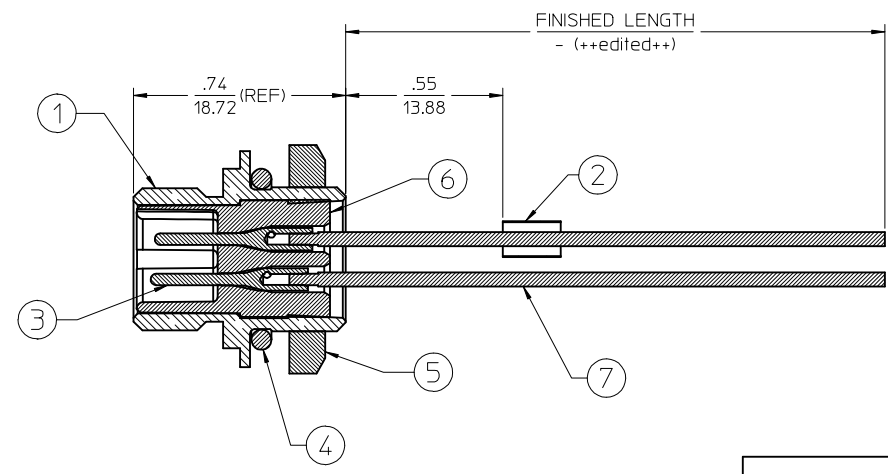
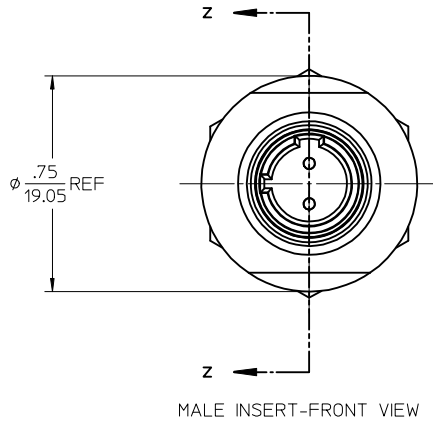


# FACE VIEW - MALE INSERT SCALE 2 : 1

				
1 BROWN 2 BLUE	1 GREEN 2 RED/BLACK 3 RED/WHITE	1 RED/BLACK 2 RED/WHITE 3 RED 4 GREEN	1 RED/WHITE 2 RED 3 GREEN 4 RED/YELLOW 5 RED/BLACK	1 RED/WHITE 2 RED 3 GREEN 4 RED/YELLOW 5 RED/BLACK 6 RED/BLUE



FINAL ASSEMBLY  
 1200740030 (SHOWN)

<b>ENTER DESCRIPTION</b> EC NO: MNA2010-0078 DRAWN: NKUMAR01 CHKD: 2009/08/27 APPR: JFMURPHY 2009/08/28	<b>QUALITY SYMBOLS</b> ▽=0 ▽=0	<b>GENERAL TOLERANCES (UNLESS SPECIFIED)</b>		DIMENSION STYLE <b>IN/MM</b>	SCALE <b>2:1</b>	DESIGN UNITS INCH	THIRD ANGLE PROJECTION		
		4 PLACES ± --- ± --- 3 PLACES ± --- ± --- 2 PLACES ± --- ± --- 1 PLACE ± --- ± ---	mm      INCH	DRAWN BY NKUMAR01	DATE 26/08/09	TITLE <b>MIC 2P MR 12IN.                  1/4NPT #22 PVC</b>			
		ANGULAR ±1/2°		CHECKED BY BWOODMAN	DATE 26/08/09	APPROVED BY JFMURPHY			
		DRAFT WHERE APPLICABLE MUST REMAIN WITHIN DIMENSIONS		MATERIAL NO. <b>SEE SHEET 2</b>		DATE 2009/08/27	MOLEX INCORPORATED		
REV <b>A</b>		DOCUMENT NO. <b>SD-120074-030</b>		SHEET NO. <b>1 OF 2</b>		THIS DRAWING CONTAINS INFORMATION THAT IS PROPRIETARY TO MOLEX INCORPORATED AND SHOULD NOT BE USED WITHOUT WRITTEN PERMISSION			

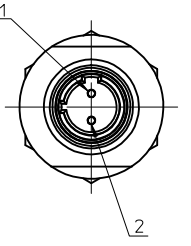
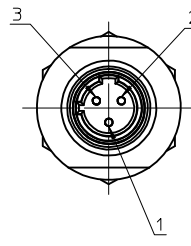
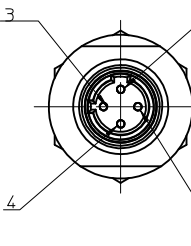
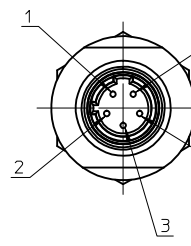
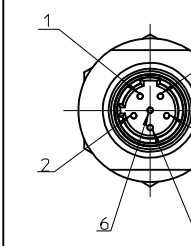
MALE RECEPTACLE ASSEMBLY

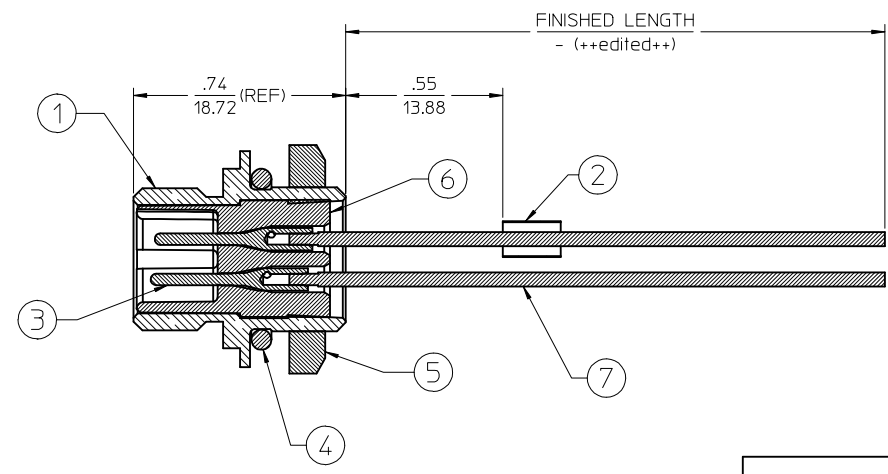
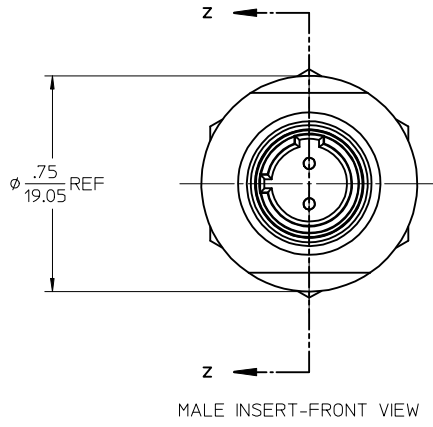
Sl. No.	DESCRIPTION	QUANTITY				
		2 POLE	3 POLE	4 POLE	5 POLE	6 POLE
1	RECEPTACLE SHELL #1/4-18 NPT	1	1	1	1	1
2	LABEL,SELF L.YELLOW(2.25X.75IN)	1	1	1	1	1
3	PIN CONT 2-4P MIC GLD #22AWG	2	3	4		
	PIN CONT 5&6P MICGLD #22AWG				5	6
4	O-RING .489 ID X .070 THK	1	1	1	1	1
5	#1/4-18IN NPS LOCKNUT	1	1	1	1	1
6	MIC 2P MALE INSERT (NYLON)	1				
	MIC 3P MALE INSERT (NYLON)		1			
	MIC 4P MALE INSERT (NYLON)			1		
	MIC 5P MALE INSERT (NYLON)				1	
	MIC 6P MALE INSERT (NYLON)					1
7	#22-1 BLU PVC WIRE UL1061	1				
	#22-1 GRN PVC WIRE UL1061		1	1	1	1
	#22-1 BRN PVC WIRE UL1061	1				
	#22-1 RED PVC WIRE UL1061			1	1	1
	#22-1 RED/WHT PVC WIRE UL1061		1	1	1	1
	#22-1 RED/BLK PVC WIRE UL1061		1	1	1	1
	#22-1 RED/BLU PVC WIRE UL1061					1
	#22-1 RED/YEL PVC WIRE UL1061				1	1

PART NUMBER	DESCRIPTION	FINISHED LENGTH
1200740030	7R2A06A19A120	12.0" +.75" -0 [0.3M +19.1MM -0]
1200740079	7R3A06A19A120	12.0" +.75" -0 [0.3M +19.1MM -0]
1200740140	7R4A06A19A120	12.0" +.75" -0 [0.3M +19.1MM -0]
1200740190	7R5A06A19A120	12.0" +.75" -0 [0.3M +19.1MM -0]
1200740241	7R6A06A19A120	12.0" +.75" -0 [0.3M +19.1MM -0]


<b>ENTER DESCRIPTION</b> EC NO: MNA2010-0078 DRAWN BY: DRWINAKUMAR01 2009/08/26 CHKD: 2009/08/27 APPR: JFMURPHY 2009/08/28 REV: A	<b>QUALITY SYMBOLS</b> 	<b>GENERAL TOLERANCES (UNLESS SPECIFIED)</b>		DIMENSION STYLE <b>IN/MM</b>	SCALE <b>2:1</b>	DESIGN UNITS <b>INCH</b>	THIRD ANGLE PROJECTION		
		4 PLACES ± --- ± --- 3 PLACES ± --- ± --- 2 PLACES ± --- ± --- 1 PLACE ± --- ± ---	mm INCH ± --- ± --- ± --- ± --- ± --- ± ---	DRAWN BY: NKUMAR01 DATE: 26/08/09	CHECKED BY: BWOODMAN DATE: 26/08/09	TITLE <b>MIC 2P MR 12IN. 1/4NPT #22 PVC</b>			
		ANGULAR ±1/2°		APPROVED BY: JFMURPHY DATE: 2009/08/27	MATERIAL NO. SEE CHART DOCUMENT NO. SD-120074-030				
		DRAFT WHERE APPLICABLE MUST REMAIN WITHIN DIMENSIONS		SIZE C	THIS DRAWING CONTAINS INFORMATION THAT IS PROPRIETARY TO MOLEX INCORPORATED AND SHOULD NOT BE USED WITHOUT WRITTEN PERMISSION				

# FACE VIEW - MALE INSERT SCALE 2 : 1

				
1 BROWN 2 BLUE	1 GREEN 2 RED/BLACK 3 RED/WHITE	1 RED/BLACK 2 RED/WHITE 3 RED 4 GREEN	1 RED/WHITE 2 RED 3 GREEN 4 RED/YELLOW 5 RED/BLACK	1 RED/WHITE 2 RED 3 GREEN 4 RED/YELLOW 5 RED/BLACK 6 RED/BLUE



FINAL ASSEMBLY  
1200740030 (SHOWN)

ENTER DESCRIPTION EC NO: MNA2010-0078 DRAWN BY: NKUMAR01 CHKD: 2009/08/27 APPR: JFMURPHY 2009/08/28	QUALITY SYMBOLS ▽=0 ▽=0	GENERAL TOLERANCES (UNLESS SPECIFIED) <table border="1" style="width: 100%; border-collapse: collapse;"> <thead> <tr> <th></th> <th>mm</th> <th>INCH</th> </tr> </thead> <tbody> <tr> <td>4 PLACES</td> <td>± .005</td> <td>± .0002</td> </tr> <tr> <td>3 PLACES</td> <td>± .005</td> <td>± .0002</td> </tr> <tr> <td>2 PLACES</td> <td>± .005</td> <td>± .0002</td> </tr> <tr> <td>1 PLACE</td> <td>± .005</td> <td>± .0002</td> </tr> </tbody> </table> ANGULAR ±1/2°		mm	INCH	4 PLACES	± .005	± .0002	3 PLACES	± .005	± .0002	2 PLACES	± .005	± .0002	1 PLACE	± .005	± .0002	DIMENSION STYLE IN/MM DRAWN BY: NKUMAR01 DATE: 26/08/09 CHECKED BY: BWOODMAN DATE: 26/08/09 APPROVED BY: JFMURPHY DATE: 2009/08/27	SCALE 2:1 DESIGN UNITS INCH	THIRD ANGLE PROJECTION TITLE MIC 2P MR 12IN. 1/4NPT #22 PVC	MATERIAL NO. SEE SHEET 2 SIZE C	DOCUMENT NO. SD-120074-030 SHEET NO. 1 OF 2
		mm	INCH																			
	4 PLACES	± .005	± .0002																			
	3 PLACES	± .005	± .0002																			
2 PLACES	± .005	± .0002																				
1 PLACE	± .005	± .0002																				
DRAFT WHERE APPLICABLE MUST REMAIN WITHIN DIMENSIONS																						
THIS DRAWING CONTAINS INFORMATION THAT IS PROPRIETARY TO MOLEX INCORPORATED AND SHOULD NOT BE USED WITHOUT WRITTEN PERMISSION																						
 MOLEX INCORPORATED																						

MALE RECEPTACLE ASSEMBLY

Sl. No.	DESCRIPTION	QUANTITY				
		2 POLE	3 POLE	4 POLE	5 POLE	6 POLE
1	RECEPTACLE SHELL #1/4-18 NPT	1	1	1	1	1
2	LABEL,SELF L.YELLOW(2.25X.75IN)	1	1	1	1	1
3	PIN CONT 2-4P MIC GLD #22AWG	2	3	4		
	PIN CONT 5&6P MICGLD #22AWG				5	6
4	O-RING .489 ID X .070 THK	1	1	1	1	1
5	#1/4-18IN NPS LOCKNUT	1	1	1	1	1
6	MIC 2P MALE INSERT (NYLON)	1				
	MIC 3P MALE INSERT (NYLON)		1			
	MIC 4P MALE INSERT (NYLON)			1		
	MIC 5P MALE INSERT (NYLON)				1	
	MIC 6P MALE INSERT (NYLON)					1
7	#22-1 BLU PVC WIRE UL1061	1				
	#22-1 GRN PVC WIRE UL1061		1	1	1	1
	#22-1 BRN PVC WIRE UL1061	1				
	#22-1 RED PVC WIRE UL1061			1	1	1
	#22-1 RED/WHT PVC WIRE UL1061		1	1	1	1
	#22-1 RED/BLK PVC WIRE UL1061		1	1	1	1
	#22-1 RED/BLU PVC WIRE UL1061					1
	#22-1 RED/YEL PVC WIRE UL1061				1	1

PART NUMBER	DESCRIPTION	FINISHED LENGTH
1200740030	7R2A06A19A120	12.0" +.75" -0 [0.3M +19.1MM -0]
1200740079	7R3A06A19A120	12.0" +.75" -0 [0.3M +19.1MM -0]
1200740140	7R4A06A19A120	12.0" +.75" -0 [0.3M +19.1MM -0]
1200740190	7R5A06A19A120	12.0" +.75" -0 [0.3M +19.1MM -0]
1200740241	7R6A06A19A120	12.0" +.75" -0 [0.3M +19.1MM -0]

<b>ENTER DESCRIPTION</b> EC NO: MNA2010-0078 DRAWN BY: DRWINAKUMAR01 2009/08/26 CHKD: 2009/08/27 APPR: JFMURPHY 2009/08/28 REV: A	<b>QUALITY SYMBOLS</b> 	<b>GENERAL TOLERANCES (UNLESS SPECIFIED)</b>		DIMENSION STYLE <b>IN/MM</b>	SCALE <b>2:1</b>	DESIGN UNITS <b>INCH</b>	THIRD ANGLE PROJECTION		
		4 PLACES ± --- ± --- 3 PLACES ± --- ± --- 2 PLACES ± --- ± --- 1 PLACE ± --- ± ---	mm INCH ± --- ± --- ± --- ± --- ± --- ± ---	DRAWN BY: NKUMAR01 DATE: 26/08/09	CHECKED BY: BWOODMAN DATE: 26/08/09	TITLE <b>MIC 2P MR 12IN. 1/4NPT #22 PVC</b>			
		ANGULAR ±1/2°		APPROVED BY: JFMURPHY DATE: 2009/08/27	MATERIAL NO. SEE CHART DOCUMENT NO. SD-120074-030				
		DRAFT WHERE APPLICABLE MUST REMAIN WITHIN DIMENSIONS		SIZE C	THIS DRAWING CONTAINS INFORMATION THAT IS PROPRIETARY TO MOLEX INCORPORATED AND SHOULD NOT BE USED WITHOUT WRITTEN PERMISSION				