

07530GA (BG0703)

DC Blower Fan

 $\Phi 75 \times 30^L$


General Specifications

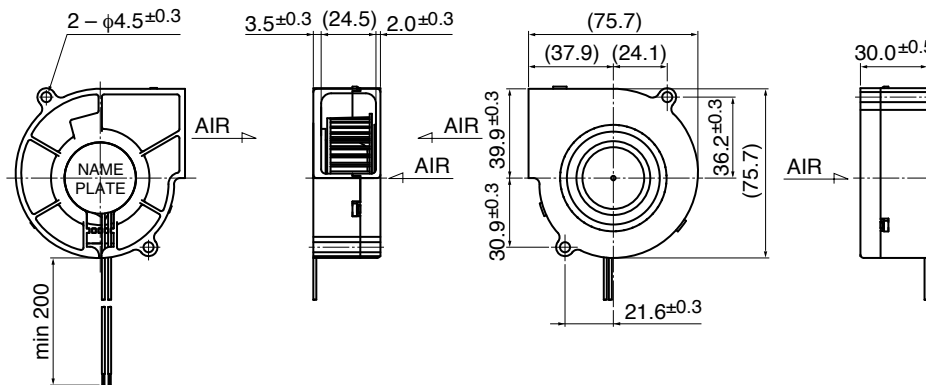
Motor Protection	Auto Restart / Polarity Protection
Insulation Resistance	10M Ω or over with a DC500V Megger
Dielectric Withstand Voltage	: AC700V 1s
Allowable Ambient Temperature Range	: 07530GA-24M-AA : -10°C ~ +60°C (Operating)
	: K · L · 12M Class : -10°C ~ +70°C (Operating)
	: -40°C ~ +70°C (Storage)
	non-condensing environment

Expected Life

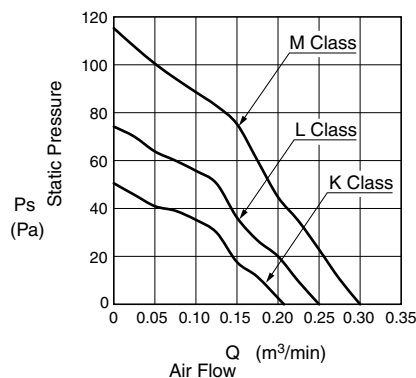
※ Failure Rate: 10% (L10 Life)

25°C 70,000 (Hours)

Outline



Characteristic Curves



Material

Casing	: Plastic (Black) UL94V-0
Impeller	: Plastic (Black) UL94V-0
Bearing	: Ball Bearing
Lead Wire	: UL1007 AWG26 + : Red, - : Black

Specifications

Model	Product No.	Rating Voltage	Operating Voltage	Current	Input Power	Speed	Max. Air Flow		Max. Static Pressure		Noise	Mass
		(V)	(V)	(A)*1	(W)*1	(min ⁻¹)*1	(m ³ /min)*1	(CFM)*1	(Pa)	(In H ₂ O)	(dB)*1	(g)
07530GA-12K-AA-	00	12	6.0 ~ 13.8	0.12	1.44	2200	0.21	7.4	50.0	0.20	29.5	90
07530GA-12L-AA-	00			0.18	2.16	2550	0.25	8.8	75.0	0.30	34.5	
07530GA-12M-AA-	00			0.29	3.48	3000	0.30	10.5	110.0	0.44	38.5	
07530GA-24K-AA-	00	24	10.0 ~ 27.6	0.07	1.68	2200	0.21	7.4	50.0	0.20	29.5	
07530GA-24L-AA-	00			0.09	2.16	2550	0.25	8.8	75.0	0.30	34.5	
07530GA-24M-AA-	00			0.15	3.60	3000	0.30	10.5	110.0	0.44	38.5	

Rotation: Clockwise as seen from the label side

*1: Average Values in Free Air