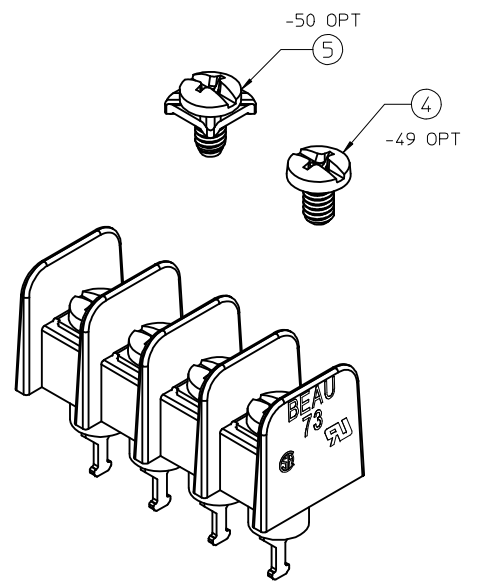
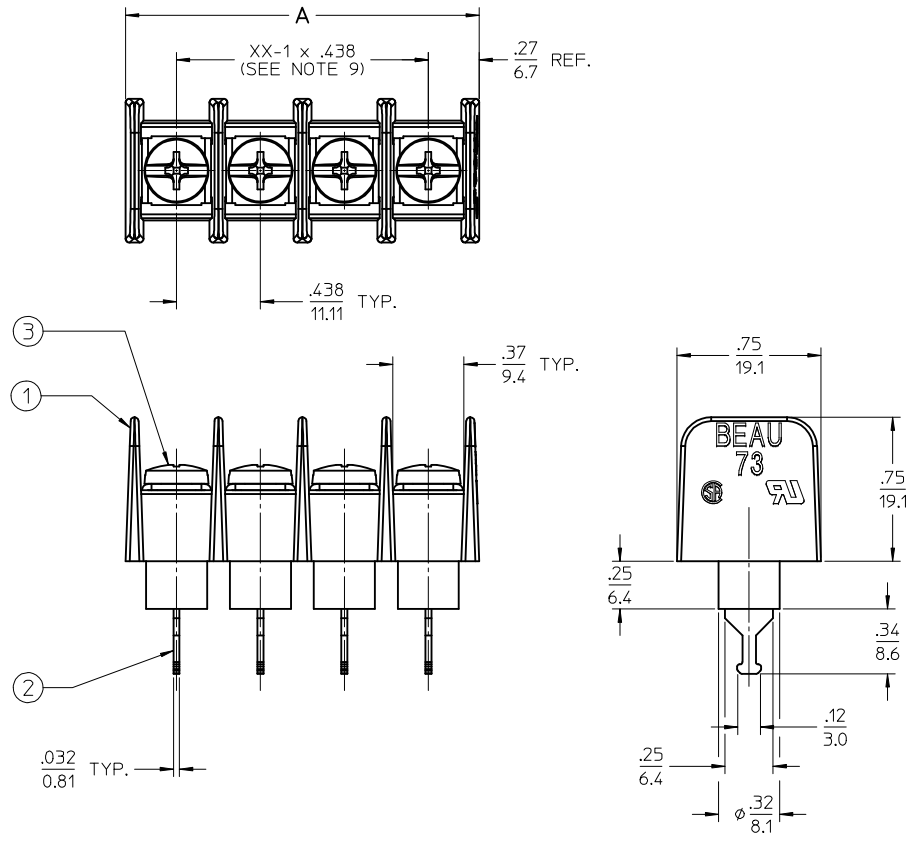
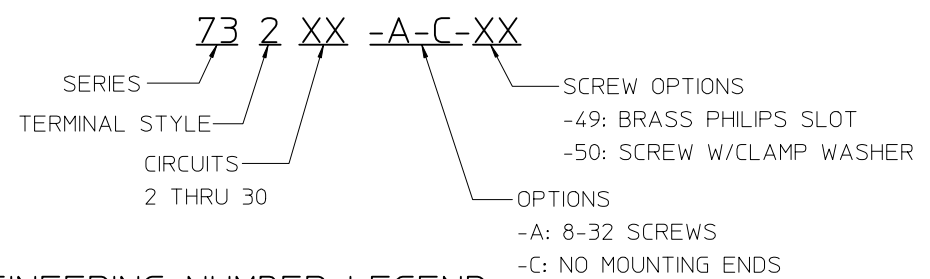


| ENGINEERING NO. | CIRCUITS | IN | mm |
|-----------------|----------|-------|-------|
| 73202-A-C-XX | 2 | .97 | 24.6 |
| 73203-A-C-XX | 3 | 1.40 | 35.6 |
| 73204-A-C-XX | 4 | 1.84 | 46.7 |
| 73205-A-C-XX | 5 | 2.28 | 57.9 |
| 73206-A-C-XX | 6 | 2.72 | 69.1 |
| 73207-A-C-XX | 7 | 3.15 | 80.0 |
| 73208-A-C-XX | 8 | 3.59 | 91.2 |
| 73209-A-C-XX | 9 | 4.03 | 102.4 |
| 73210-A-C-XX | 10 | 4.47 | 113.4 |
| 73211-A-C-XX | 11 | 4.90 | 124.5 |
| 73212-A-C-XX | 12 | 5.34 | 135.6 |
| 73213-A-C-XX | 13 | 5.78 | 146.8 |
| 73214-A-C-XX | 14 | 6.22 | 158.0 |
| 73215-A-C-XX | 15 | 6.65 | 168.9 |
| 73216-A-C-XX | 16 | 7.09 | 180.1 |
| 73217-A-C-XX | 17 | 7.53 | 191.3 |
| 73218-A-C-XX | 18 | 7.97 | 202.4 |
| 73219-A-C-XX | 19 | 8.40 | 213.4 |
| 73220-A-C-XX | 20 | 8.84 | 224.5 |
| 73221-A-C-XX | 21 | 9.28 | 235.7 |
| 73222-A-C-XX | 22 | 9.72 | 246.9 |
| 73223-A-C-XX | 23 | 10.15 | 257.8 |
| 73224-A-C-XX | 24 | 10.59 | 269.0 |
| 73225-A-C-XX | 25 | 11.03 | 280.2 |
| 73226-A-C-XX | 26 | 11.47 | 291.3 |
| 73227-A-C-XX | 27 | 11.90 | 302.3 |
| 73228-A-C-XX | 28 | 12.34 | 313.4 |
| 73229-A-C-XX | 29 | 12.78 | 324.6 |
| 73230-A-C-XX | 30 | 13.22 | 335.8 |



- NOTES:
- MATERIAL: SEE TABLE
 - FINISHES: SEE TABLE
 - ELECTRICAL SPECIFICATIONS
VOLTAGE RATING: 300V (10 AWG WIRE)
CURRENT RATING: 30 AMPS (#8 SCREW)
 - WIRE RANGE: 10-24 AWG
 - WIRE STRIP: .31 (8mm)
 - SCREW TORQUE: 12 IN. LBS.
 - PROD SPEC: PS-38730-001
 - UL FILE E48521
 - XX = NUMBER OF CIRCUITS



ENGINEERING NUMBER LEGEND

| ITEM | QTY. | DESCRIPTION | MATERIAL | FINISH |
|------|------|---|----------|---------------|
| 5 | XX | SCREW #8-32 X .31 PAN HD PHSL W/SQ WASHER -50 | STEEL | ZINC PLATED |
| 4 | XX | SCREW #8-32 X .29 BHD PHSL -49 | BRASS | NICKEL PLATED |
| 3 | XX | SCREW #8-32X.29 BHD PHSL LUBE | STEEL | ZINC PLATED |
| 2 | XX | TERM TURRET 6C SN/B | BRASS | TIN PLATED |
| 1 | 1 | SR BARRIER TERMINAL STRIP, NO MTG ENDS | PBT | BLACK |

| | | | | | | |
|---|--|---|--|------------------------------|---------------------|--|
| RELEASED EC NO: JPC2015-1766 DRAWN BY: DRWINSTONE CHKD BY: ARDEN APPR: JFMURPHY 2015/04/09 2015/04/20 | QUALITY SYMBOLS | GENERAL TOLERANCES (UNLESS SPECIFIED) | DIMENSION STYLE | SCALE | DESIGN UNITS | THIRD ANGLE PROJECTION |
| | $\nabla=0$ $\nabla=0$ | mm INCH 4 PLACES ± --- ± --- 3 PLACES ± --- ±.005 2 PLACES ± 0.13 ±.01 1 PLACE ± 0.3 ± --- 0 PLACE ± --- ± --- | IN/MM | 2:1 | INCH | TITLED SINGLE ROW BARRIER STRIP INSULATED SOLDER TURRET NO MTG ENDS, #8 SCREW |
| | DRAFT WHERE APPLICABLE MUST REMAIN WITHIN DIMENSIONS | ANGULAR ± 2° MATERIAL NO. SEE CHART | DRAWN BY: RSTONE CHECKED BY: B ARDEN APPROVED BY: JFMURPHY DATE: 2015/04/09 DATE: 2015/04/20 | DOCUMENT NO. SD-38731-010 | SHEET NO. 1 OF 1 | |
| | THIS DRAWING CONTAINS INFORMATION THAT IS PROPRIETARY TO MOLEX INCORPORATED AND SHOULD NOT BE USED WITHOUT WRITTEN PERMISSION | | | | | |