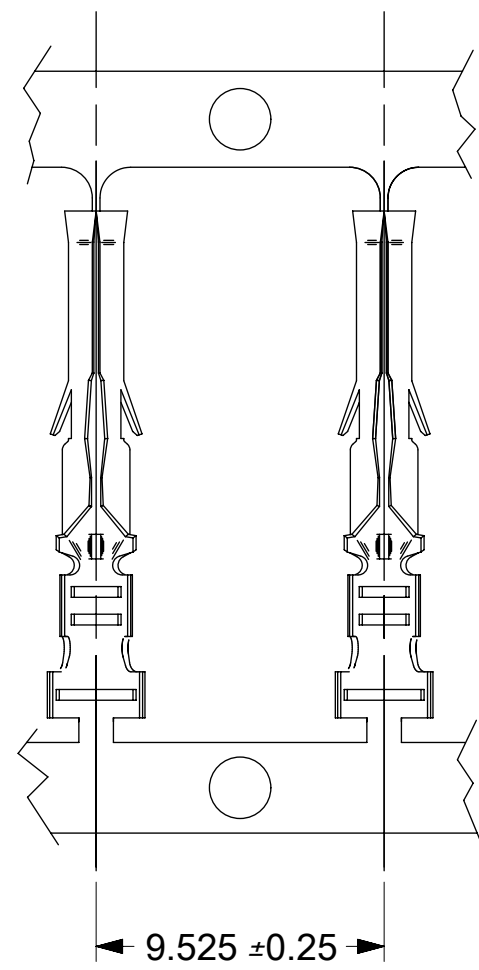
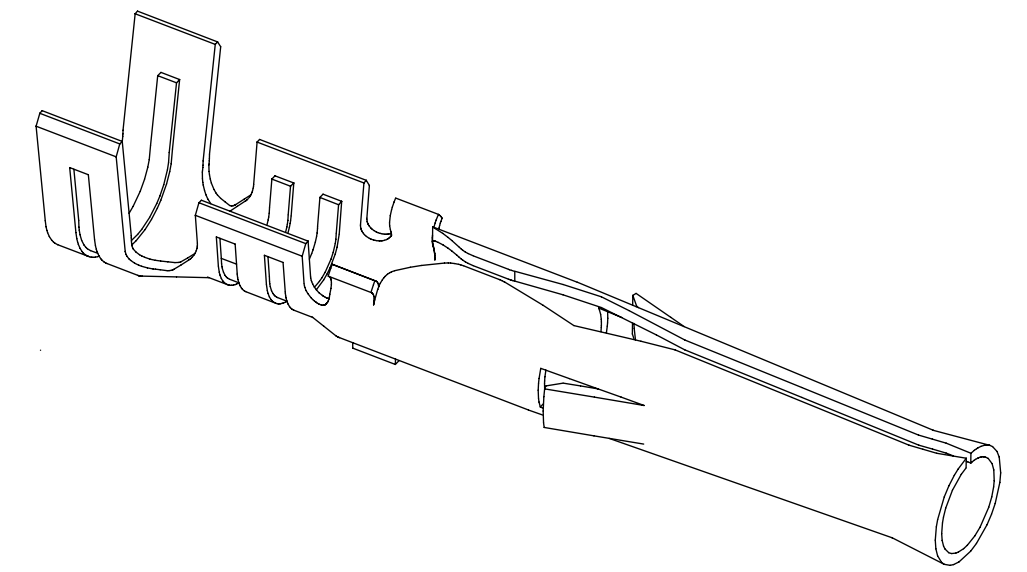
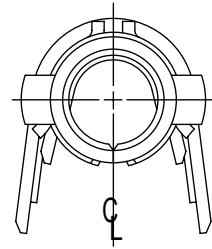
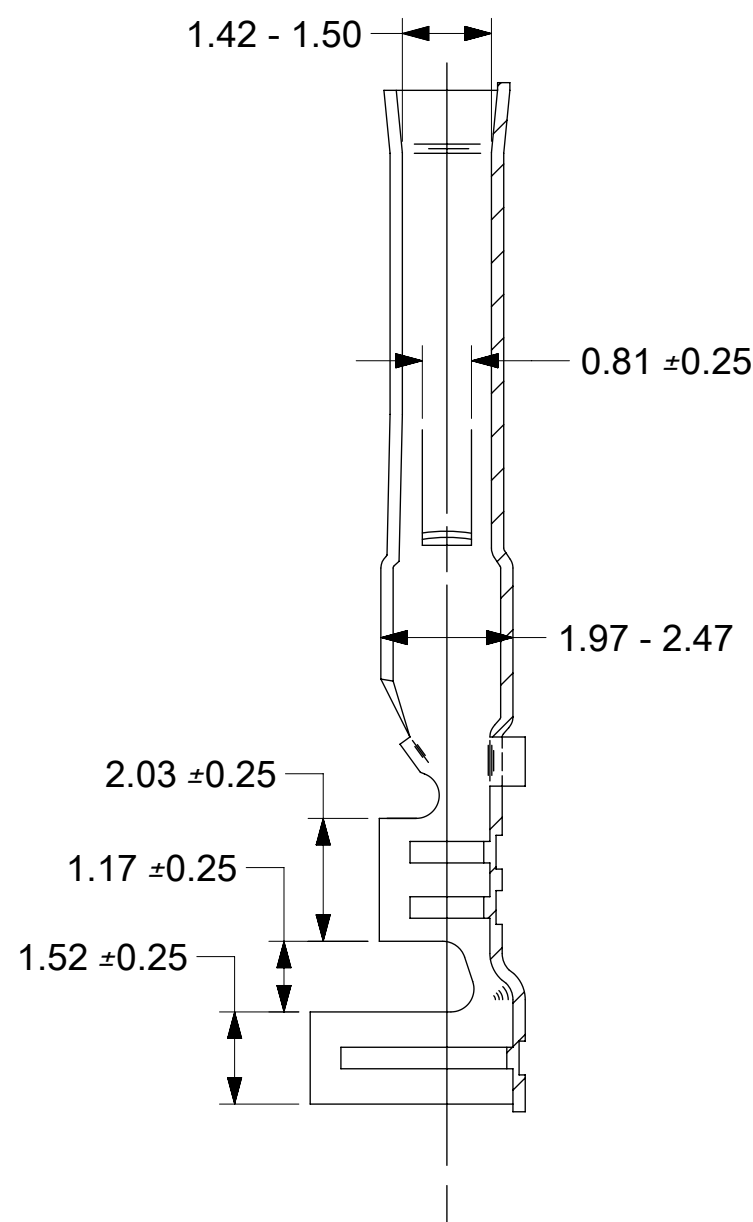
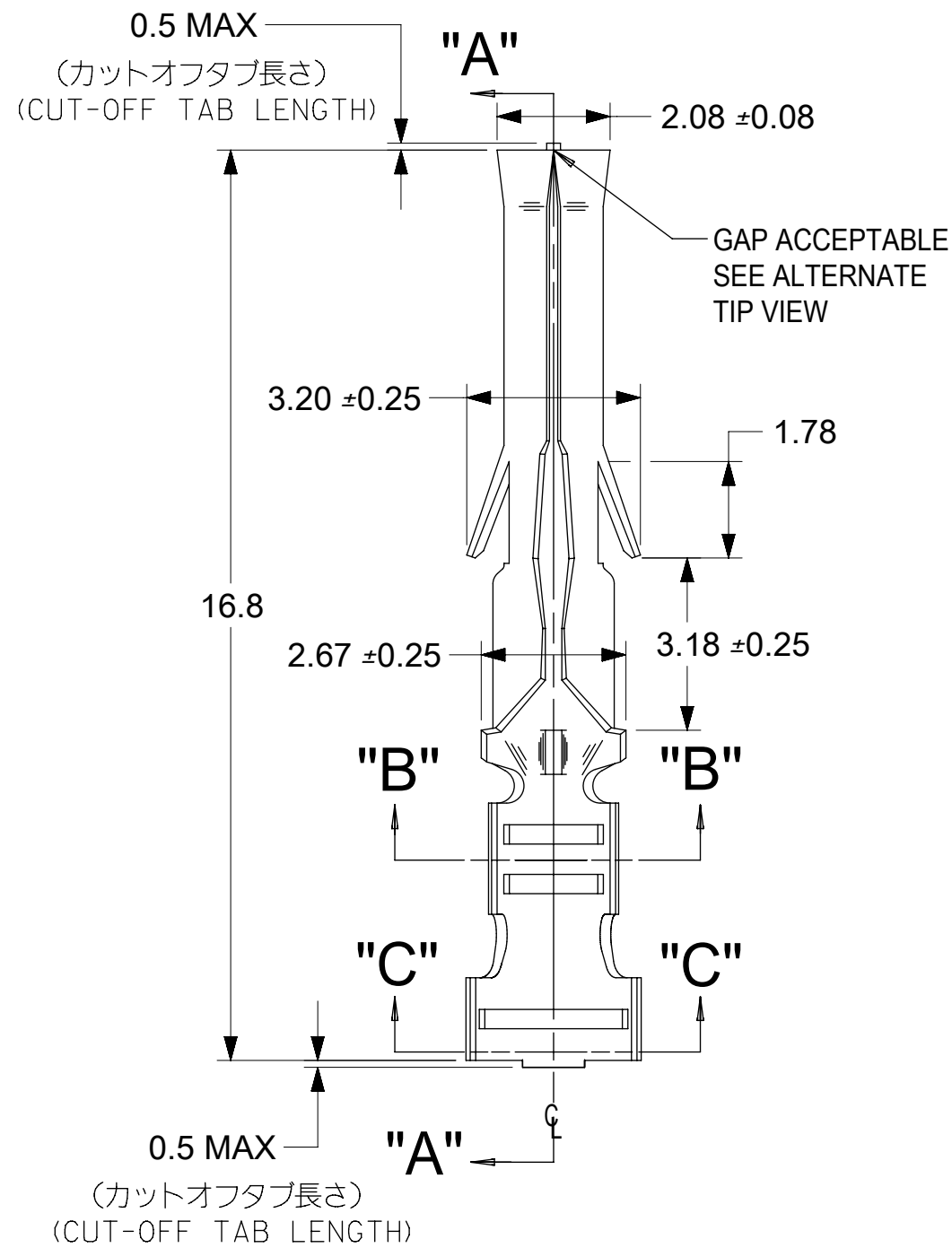


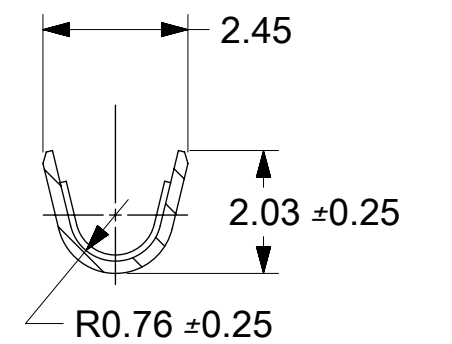
ALTERNATE TIP  
GEOMETRY  
SEE NOTE 7



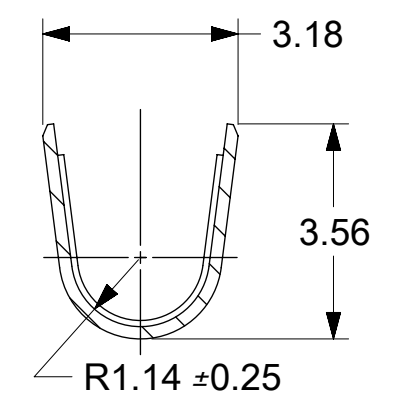
CHAIN FORM  
SCALE: 4:1



SECT. "A-A"



SECT. "B-B"



SECT. "C-C"

NOTES:

1. MATERIAL: BRASS
2. FINISH: SEE CHART
3. PRODUCT SPECIFICATION: PS-02-06
4. PACKAGING INFORMATION: 15610000-PK
5. TERMINAL FOR USE WITH (1.57)/.062 DIA. SERIES HOUSINGS AND WILL ACCEPT 18 THRU 24 AWG WIRE WITH 1.5/3.1 INSULATION DIA.
6. PARTS CONFORM TO CLASS B REQUIREMENTS OF COSMETIC SPECIFICATION PS-45499-002.
7. TIP GEOMETRY IS TOOL DEPENDENT. EITHER GEOMETRY IS ACCEPTABLE.

一般公差: ±0.4  
GENERAL TOLERANCES: ±0.4

銅 (0.5 μm MIN.) 下地 錫 (0.9 μm MIN.) TIN (0.9 μm MIN.) OVER COPPER (0.5 μm MIN.)	39-00-0331	156 ITL	バラ端子 LOOSE
メッキ PLATING	EDP.NO.	ENG.NO.	連鎖端子 CHAIN 形状 FORM

SYMBOLS	THIS DRAWING CONTAINS INFORMATION THAT IS PROPRIETARY TO MOLEX ELECTRONIC TECHNOLOGIES, LLC AND SHOULD NOT BE USED WITHOUT WRITTEN PERMISSION		
	DIMENSION UNITS	SCALE	CURRENT REV DESC: UPDATE GRAPHICS, REMOVE 1561G AND GL
▽ = 0	mm	8:1	EC NO: 632666 DRWN: MKIPPER 2019/03/06 CHK'D: DSTEIER 2020/02/26 APPR: FSMITH 2020/06/05
▽ = 0	GENERAL TOLERANCES (UNLESS SPECIFIED)		
▽ = 0	ANGULAR TOL ± °		INITIAL REVISION: DRWN: YAOYAGI 2009/02/16 APPR: NUKITA 2009/02/17
▽ = 0	4 PLACES ±		
▽ = 0	3 PLACES ±		DOCUMENT NUMBER <b>SD-1561-001</b> DOC TYPE DOC PART REVISION PSD 001 M
▽ = 0	2 PLACES ±		
▽ = 0	1 PLACE ±		MATERIAL NUMBER SEE CHART CUSTOMER GENERAL MARKET SHEET NUMBER 1 OF 1
▽ = 0	0 PLACES ±		
▽ = 0	DRAFT WHERE APPLICABLE MUST REMAIN WITHIN DIMENSIONS	THIRD ANGLE PROJECTION	DRAWING C-SIZE
▽ = 0			SERIES 1561

材料 MATERIAL	黄銅 BRASS 0.2 t
仕上げ FINISH	
適用電線範囲 WIRE RANGE	AWG# 18-#24
被覆外径 INS. RANGE	∅ 1.5 ~ 3.1

**molex**

.062 DIA CRIMP FEMALE  
TERMINAL

PRODUCT CUSTOMER DRAWING

DOCUMENT STATUS	P1	RELEASE DATE	2020/06/05 20:49:08
-----------------	----	--------------	---------------------