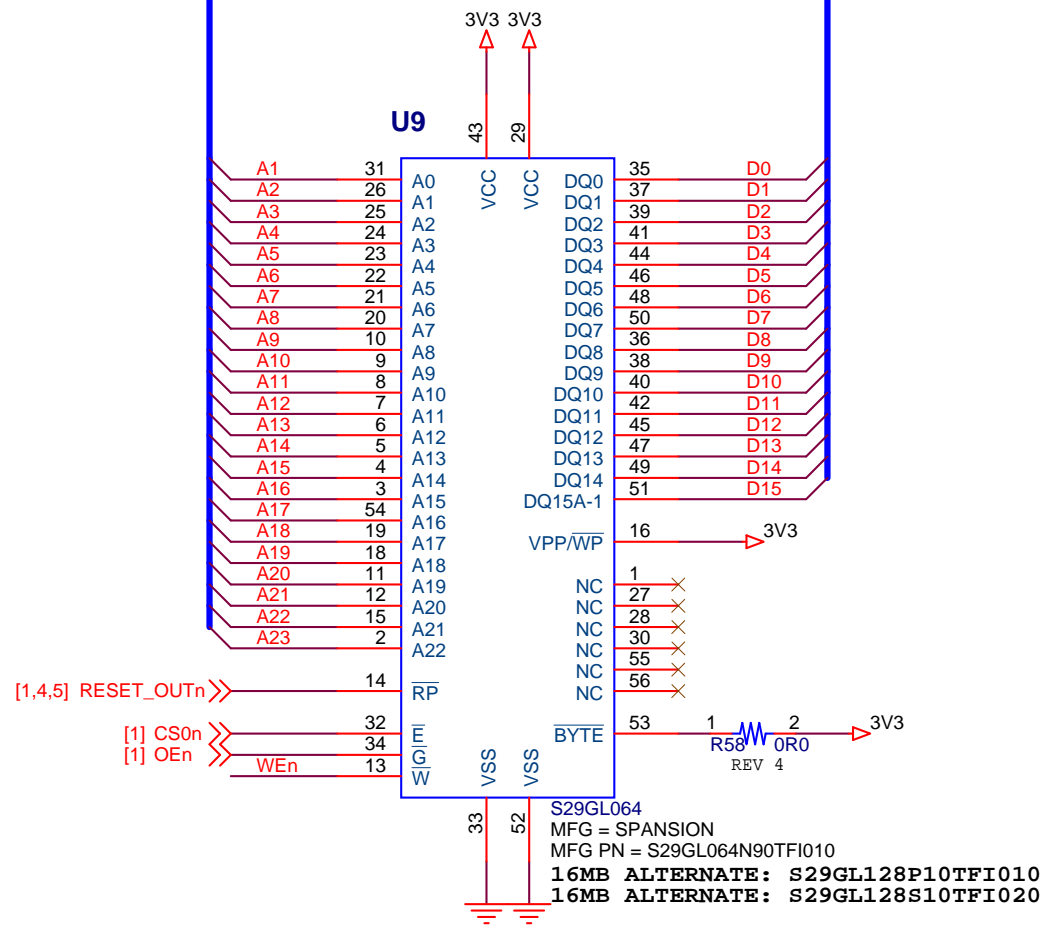
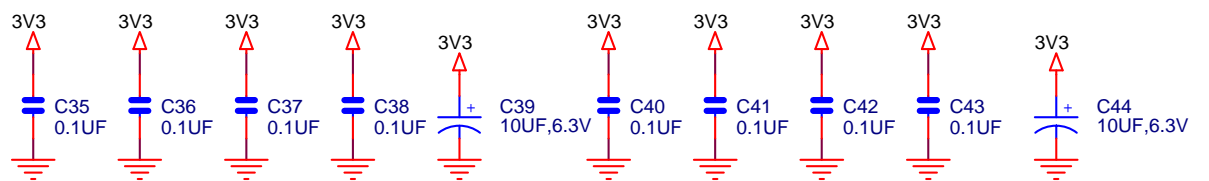
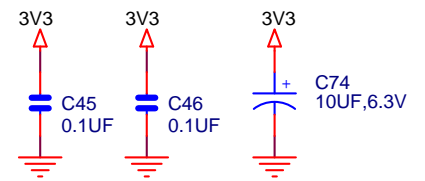


MT48LC2M32B2P
 MT48LC4M32B2P ALTERNATE (16MB)
 IS42S32800D-7TL ALTERNATE (32MB)

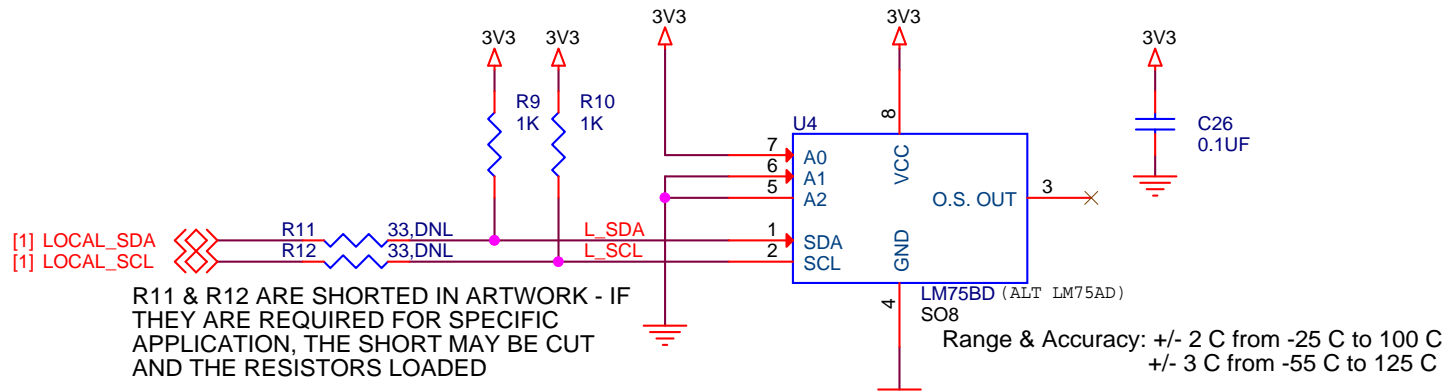
SDRAM (8MB TO 32MB)



NOR FLASH (8MB TO 16MB)

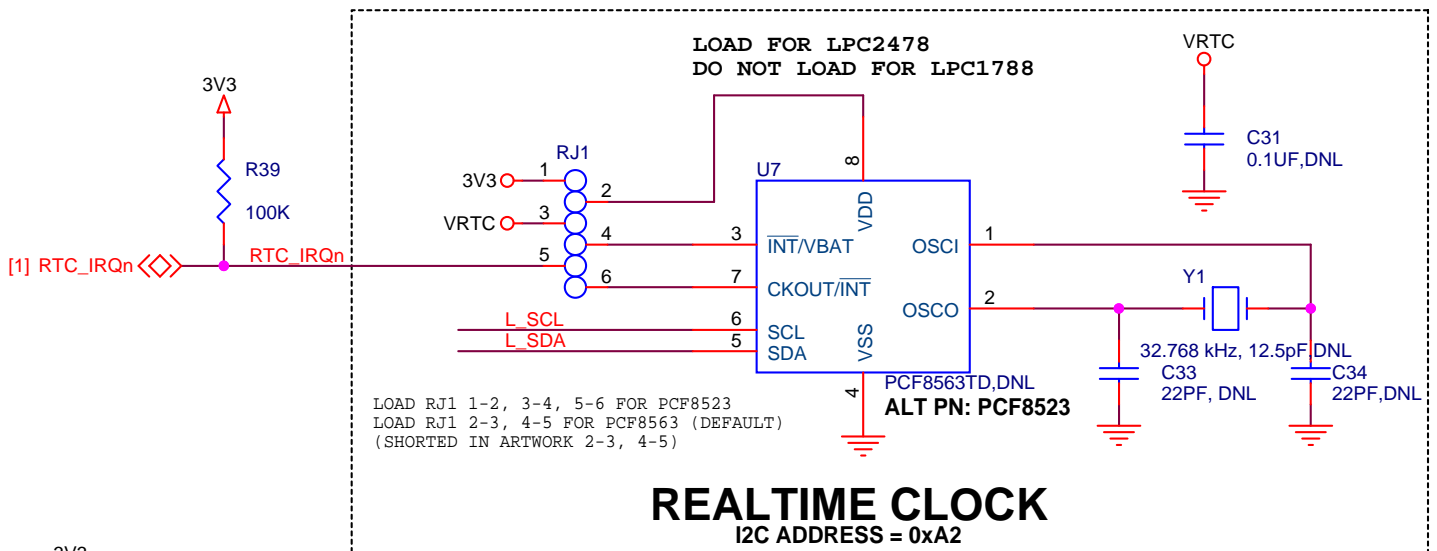


FUTURE DESIGNS, INC. 2702 TRIANA BLVD HUNTSVILLE, AL 35805		FDI
Title: UEZ GUI 4.3"		
Size: B	Document Number	Rev: 5
Date: Wednesday, June 20, 2012	Sheet: 2	of 5



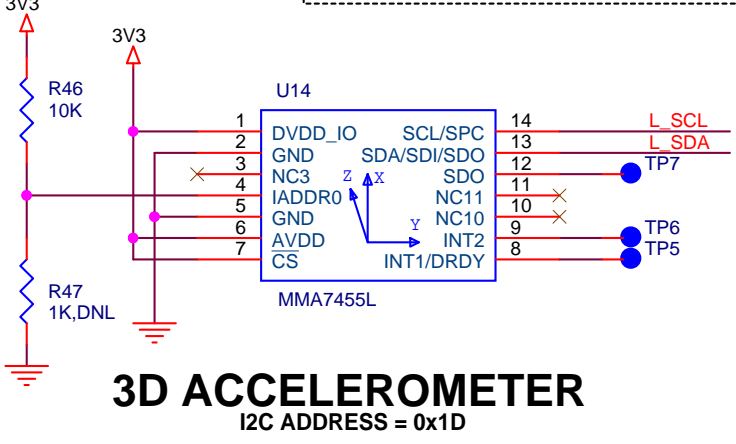
TEMP SENSOR

I2C ADDRESS = 0x92



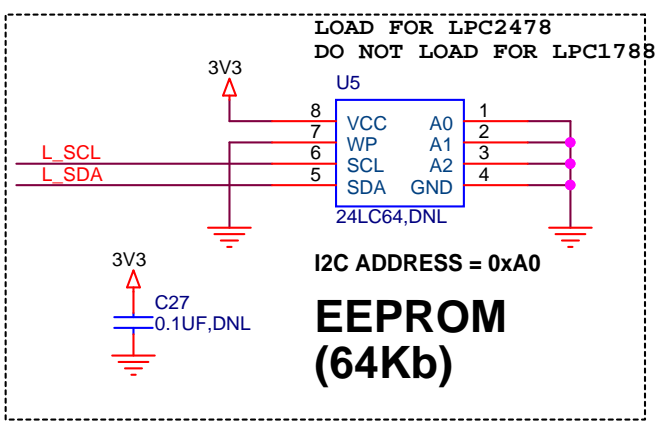
REALTIME CLOCK

I2C ADDRESS = 0xA2



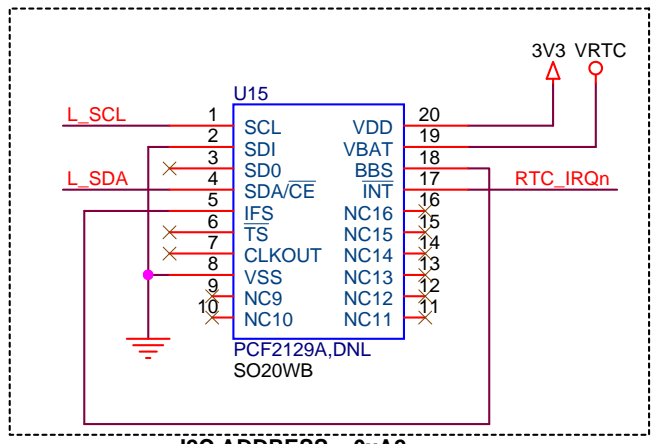
3D ACCELEROMETER

I2C ADDRESS = 0x1D



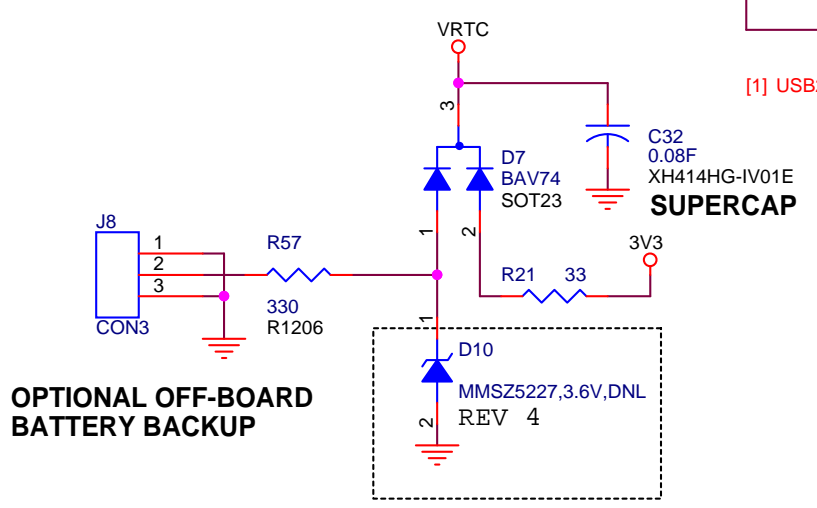
EEPROM (64Kb)

I2C ADDRESS = 0xA0

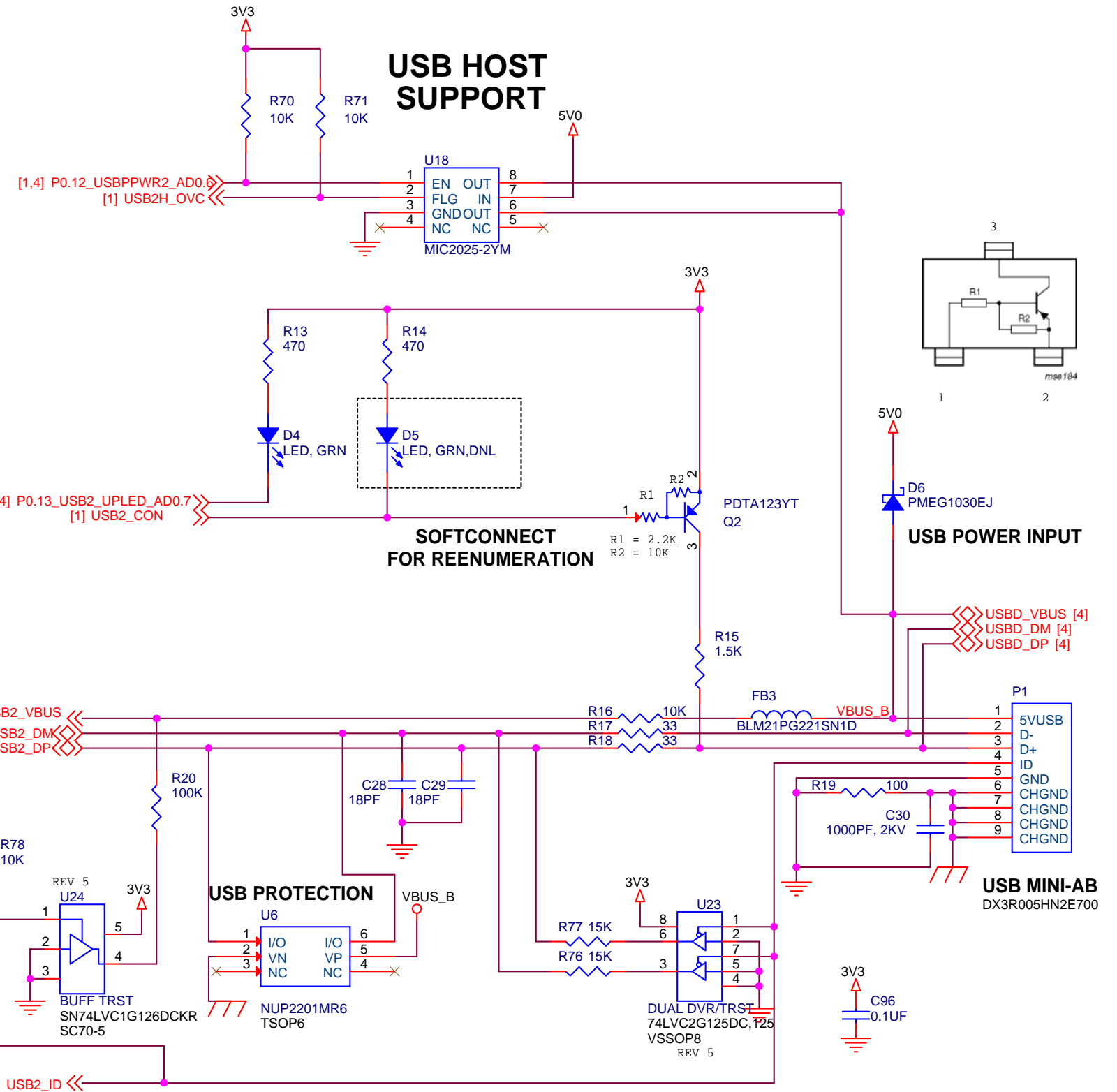


ALTERNATE REALTIME CLOCK

I2C ADDRESS = 0xA2



OPTIONAL OFF-BOARD BATTERY BACKUP



USB HOST SUPPORT

SOFTCONNECT FOR REENUMERATION

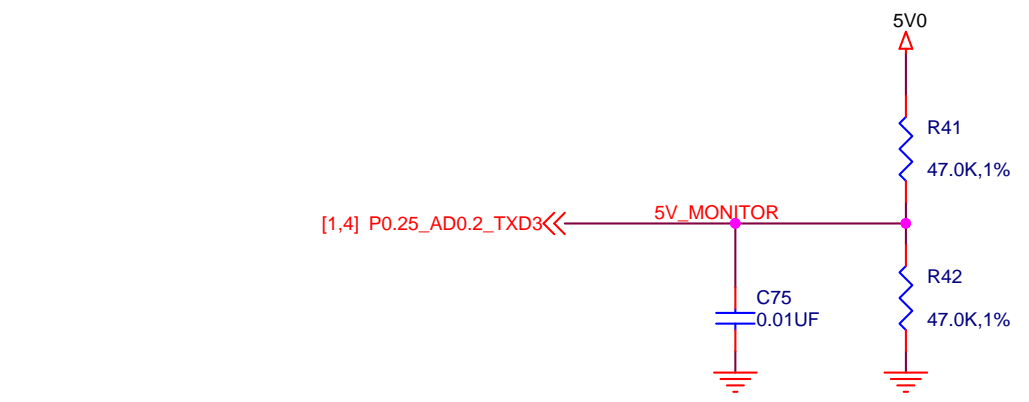
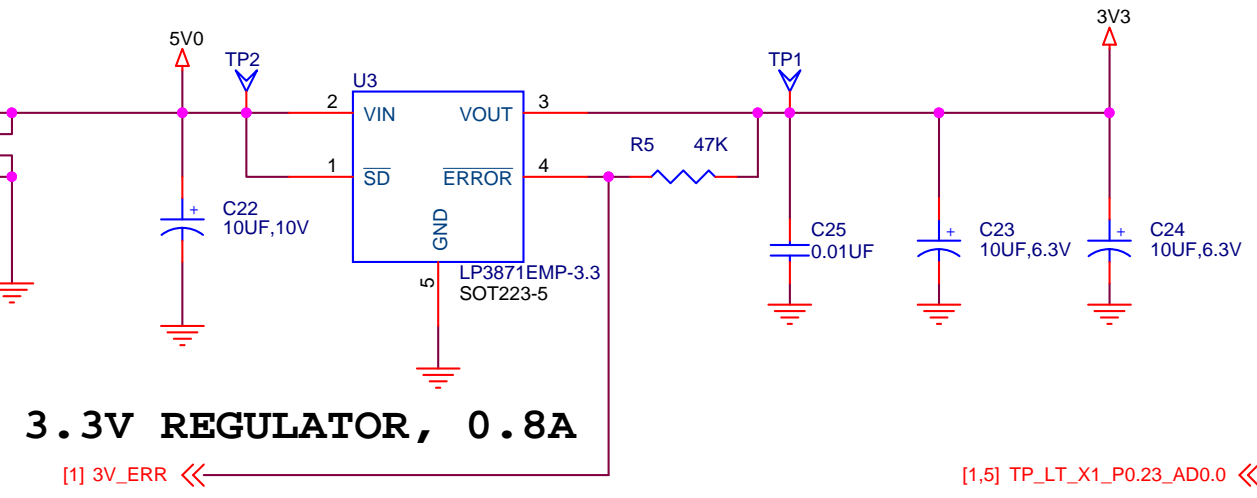
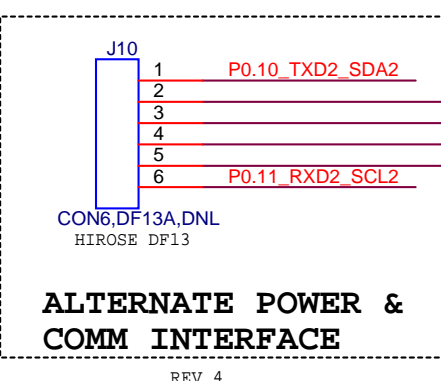
USB POWER INPUT

USB MINI-AB

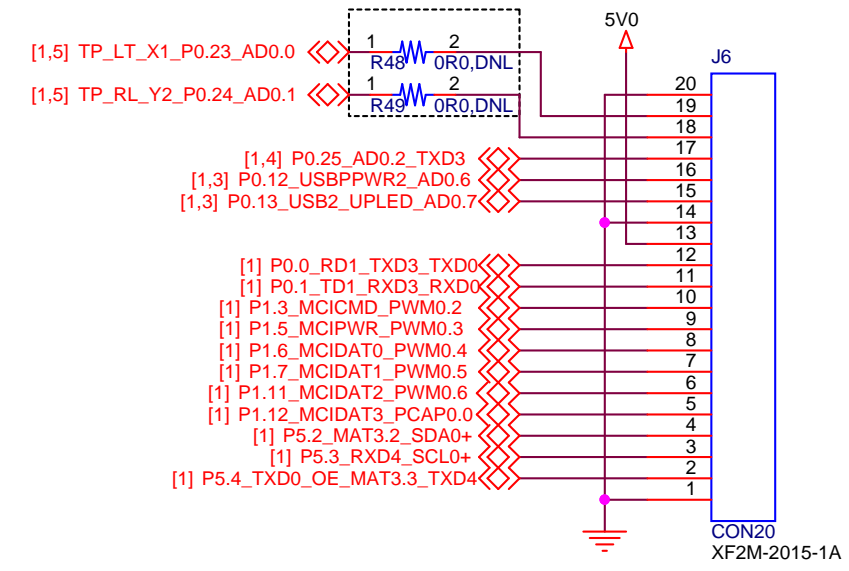
USB PROTECTION

USB DEVICE

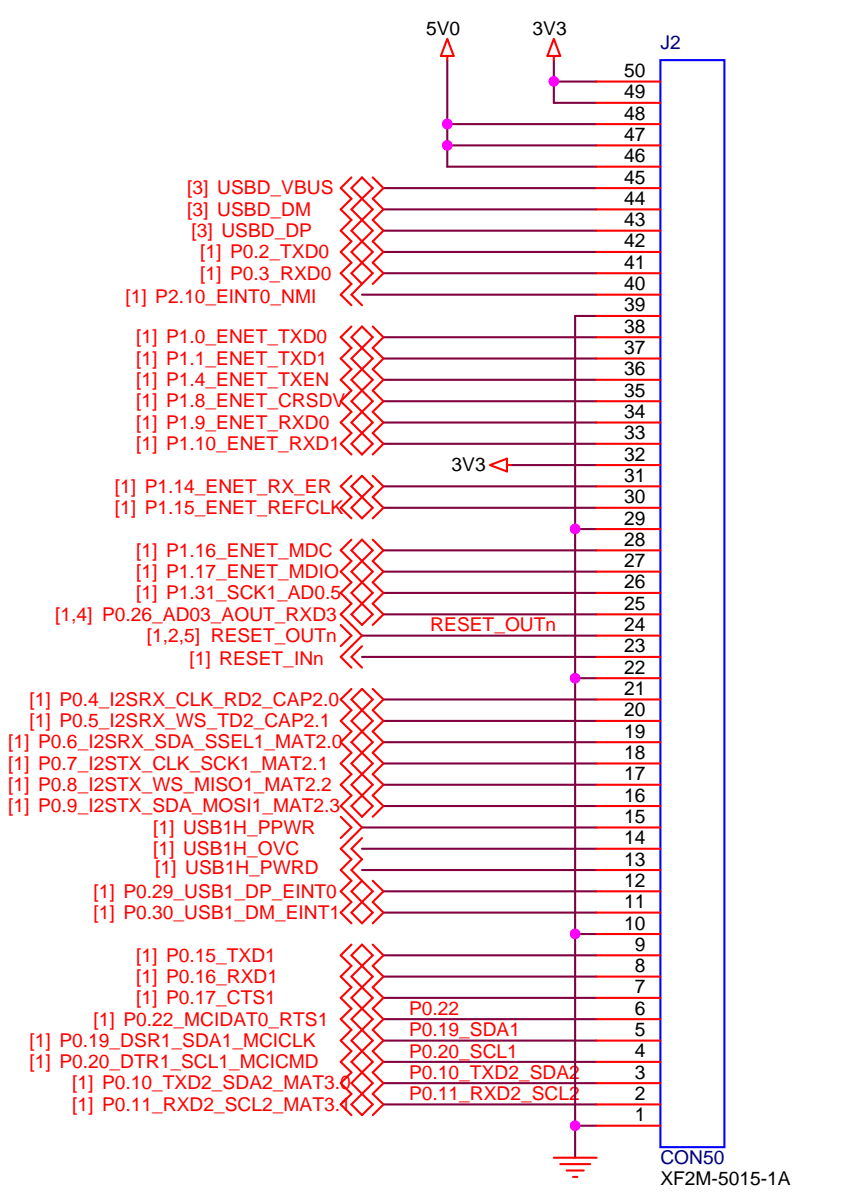
FUTURE DESIGNS, INC. 2702 TRIANA BLVD HUNTSVILLE, AL 35805		
Title	UEZ GUI 4.3"	
Size	Document Number	Rev
B	<Doc>	5
Date:	Wednesday, June 20, 2012	Sheet 3 of 5



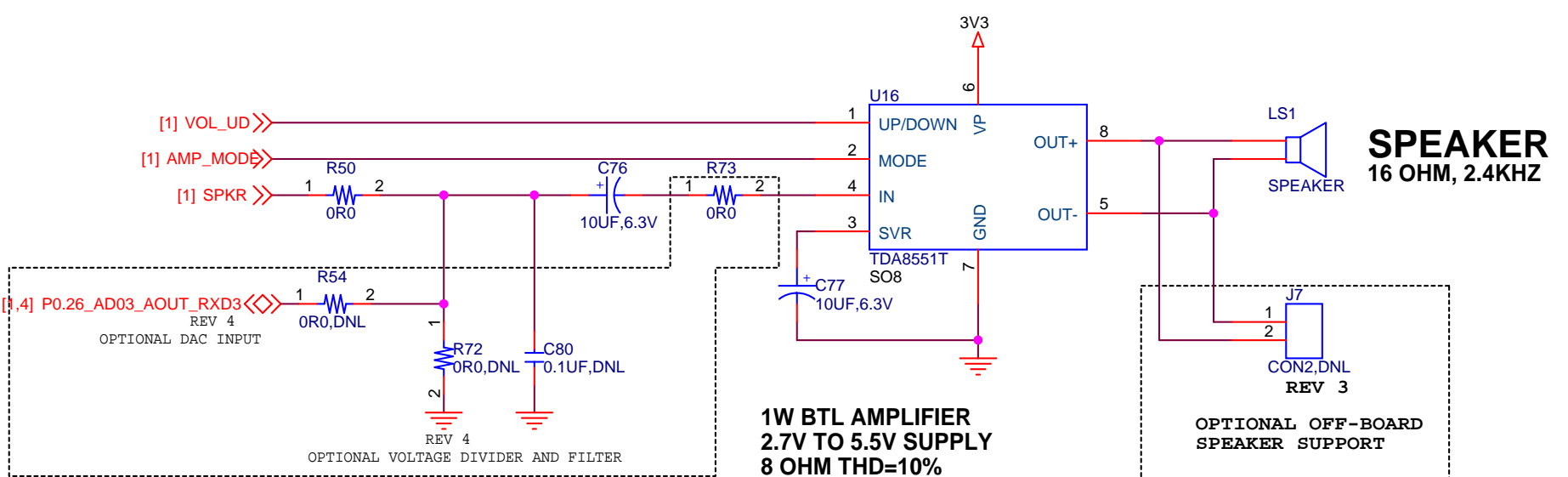
5V INPUT MONITOR VIA ADC



SECONDARY EXPANSION CONNECTOR

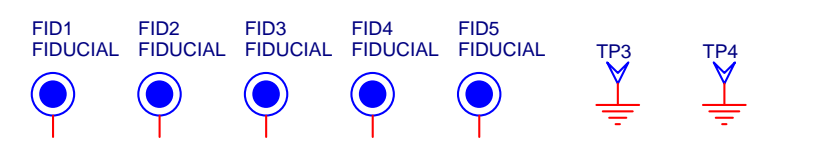


EXPANSION CONNECTOR

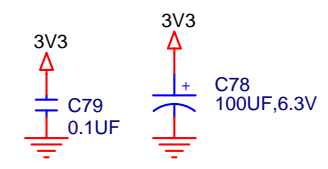


1W BTL AMPLIFIER
 2.7V TO 5.5V SUPPLY
 8 OHM THD=10%
 -60db TO +20db GAIN
 20KOHM INPUT IMPEDANCE
 2Vrms MAX INPUT VOLTAGE

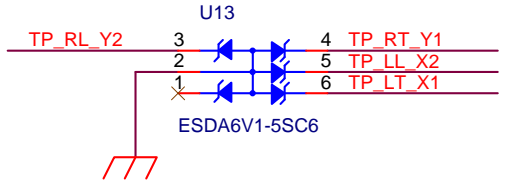
OPTIONAL OFF-BOARD SPEAKER SUPPORT



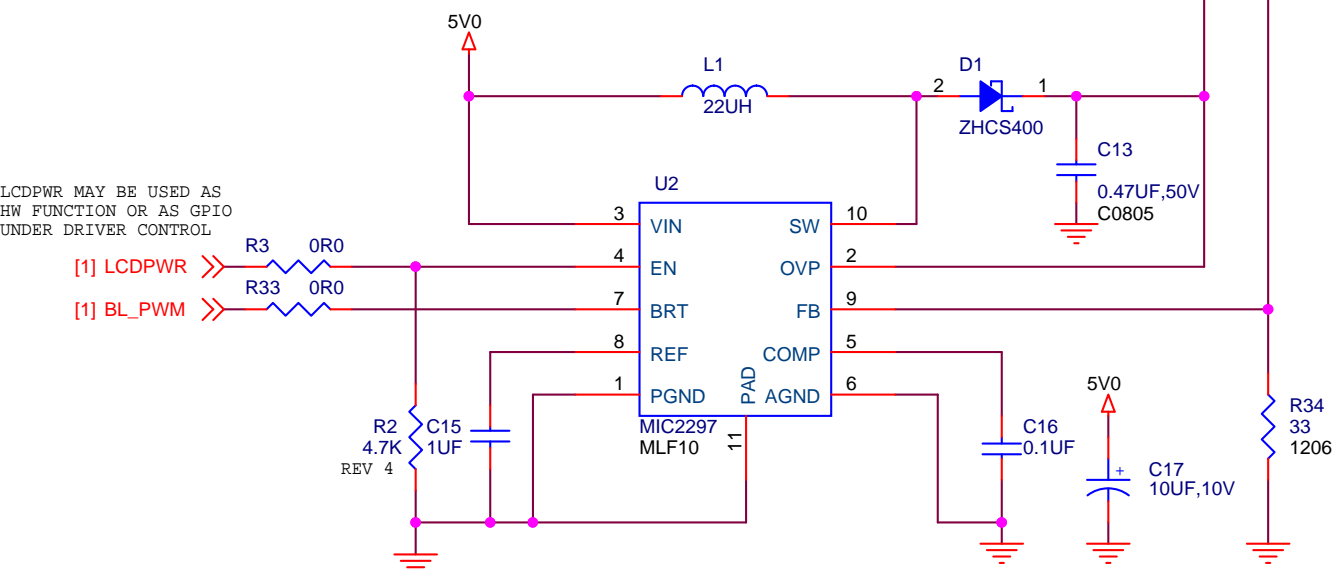
FUTURE DESIGNS, INC. 2702 TRIANA BLVD HUNTSVILLE, AL 35805		FDI
Title UEZ GUI 4.3"		
Size B	Document Number <Doc>	Rev 5
Date: Wednesday, June 20, 2012	Sheet 4	of 5



SHARP LCD



TP ESD PROTECTION

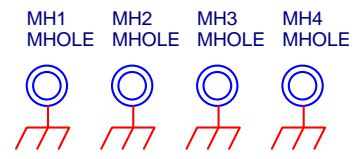


BACKLIGHT VOLTAGE GENERATOR

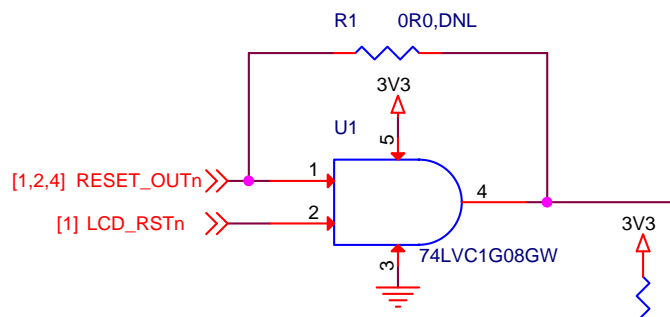
BACKLIGHT CURRENT CALCULATION:

$$I_{LED} = \frac{V_{peak} \cdot D}{5 \cdot R_{sense}}$$

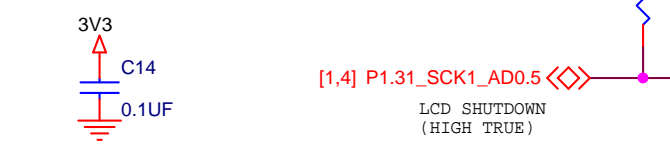
I_{LED} = 20mA FOR THE FOLLOWING;
 R_{SENSE} (R34) = 33OHM
 V_{PEAK} (BRT PIN) = 3.3V
 D (BRT PIN) = 0% TO 100%



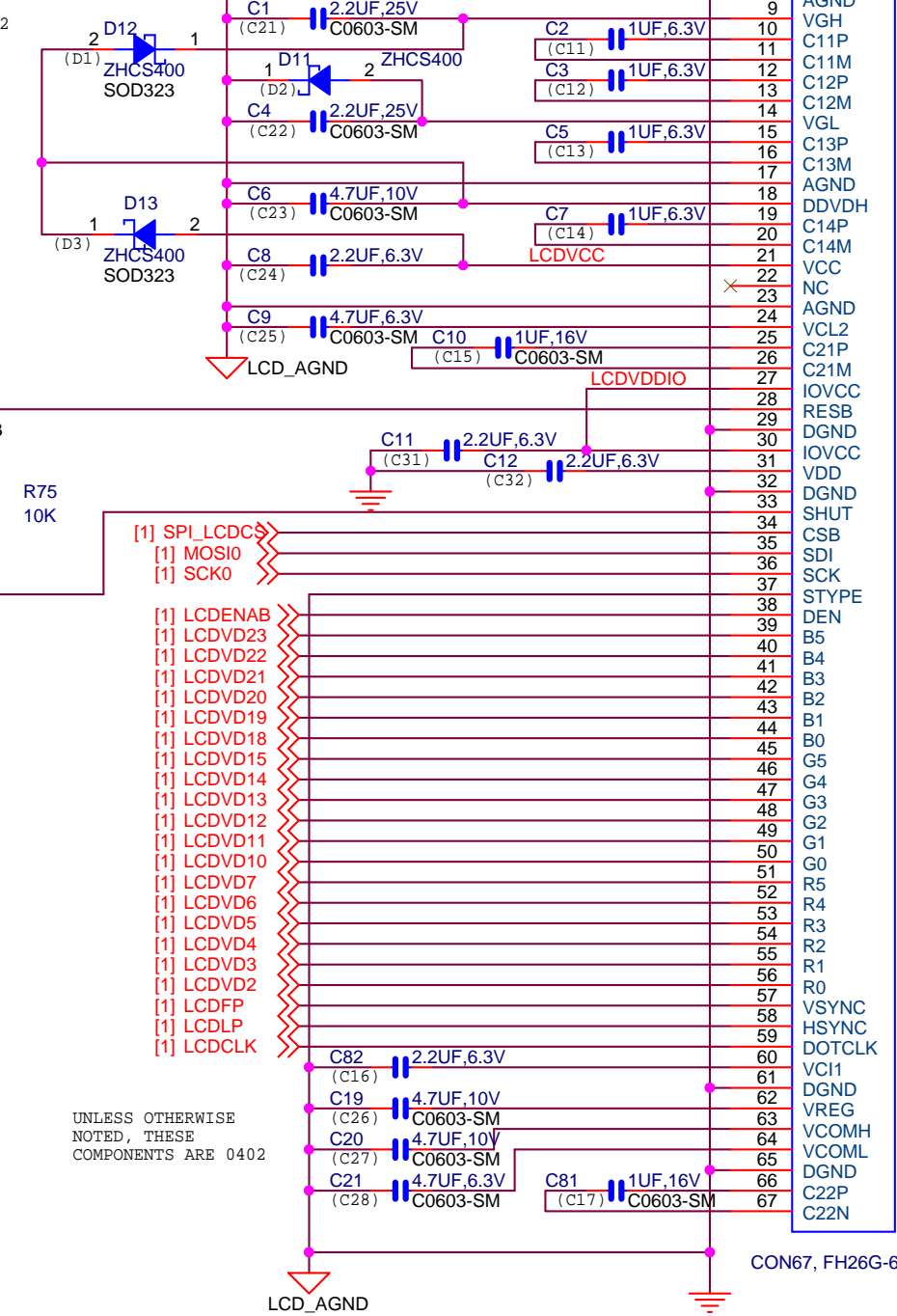
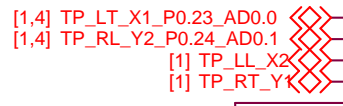
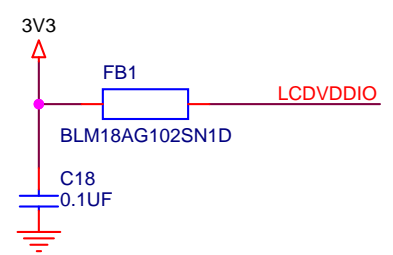
UNLESS OTHERWISE NOTED, THESE COMPONENTS ARE 0402



SUPPORT FOR CPU RESET CONTROL OF LCD MODULE LOAD U1 AND DNL R1



LCD SHUTDOWN (HIGH TRUE)



NOTE: SHIELD LCD_AGND AND CONNECT TO GND AT A SINGLE POINT

FUTURE DESIGNS, INC. 2702 TRIANA BLVD HUNTSVILLE, AL 35805		
Title: UEZ GUI 4.3"		
Size: B	Document Number: <Doc>	Rev: 5
Date: Wednesday, June 20, 2012	Sheet: 5	of 5