

PCM-9375 3.5" SBC w/AMD LX800, VGA, LCD, LAN, USB 2.0 and SSD

Startup Manual

Packing List

Before you begin installing your card, please make sure that the following materials have been shipped:

- 1 PCM-9375 SBC
- 1 Startup manual
- 1 Utility CD
- 1 Mini jumper pack p/n: 9689000002
- 1 Audio cable p/n: 1700160160
- 1 IDE 44 pin p/n: 1701440351
- 1 USB 2 port cable p/n: 1703100121
- 1 Parallel port cable p/n: 1700001977
- 1 Keyboard/Mouse cable p/n: 1700060202
- 1 x COM2/3/4 cable p/n: 1700001971
- 1 x LAN cable p/n: 1701100202

If any of these items are missing or damaged, contact your distributor or sales representative immediately.

Note 1: For detailed contents of the PCM-9375, please refer to the enclosed CD Disc or disk (in PDF format).

Note 2: Acrobat Reader is required to view any PDF file. Acrobat Reader can be downloaded at: <http://www.adobe.com/products/acrobat/readstep2.html> (Acrobat is a trademark of Adobe.)

For more information on this and other Advantech products, please visit our website at:

<http://www.advantech.com>

<http://www.advantech.com/eplatform>

For technical support and service, please visit our support website at:

<http://www.advantech.com/support>

This manual is for the PCM-9375 Series Rev. A1.

Part No. 2006937500

1st Edition
Mar. 2006

Specifications

Standard SBC Functions

- **CPU:** AMD Geode® LX800 processor, up to 500 MHz
- **System Memory:** 1x SODIMM socket, support Double Data Rate (DDR) SDRAM, Max, 512 MB, accept 128/256/512 MB, DDR333 SDRAM
- **2nd Cache Memory:** 128 KB on the processor
- **System Chipset:** AMD Geode LX800
- **BIOS:** Award 2Mbit Flash BIOS
- **Watchdog Timer:** 255 levels timer interval
- **Expansion Interface:** PC/104
- **Battery:** Lithium 3 V / 196 mAh
- **Power management:** APM1.2, ACPI supported
- **Enhanced IDE interface:** One channels supports up to two EIDE devices. BIOS auto-detect, PIO Mode 3 or Mode 4, supports UDMA 33 mode
- **Serial ports:** Four serial RS-232 ports (CN19: COM1) in one DB-9 connector and one Hirose 40 pin connector (CN16: COM2/3/4). RS-422 and RS-485 can be configured via CN18 connector and Jumper J3.
- **Parallel port:** One parallel port, supports SPP/EPP-mode
- **Keyboard/mouse connector:** Supports one standard PC/AT keyboard and a PS/2 mouse
- **Audio:** Supports AC97 Audio stereo sound
- **USB:** Four USB 2.0 compliant universal serial bus ports
- **GPIO:** 8 bit general purpose Input/Output

Solid State Disk

- Supports one 50-pin socket for CFC type I (type II optional)

VGA/LVDS Interface

- **Memory Size:** Optimized Shared Memory Architecture, supports up to 64MB frame buffer using system memory
- **Resolution:**
 - **CRT resolution:** up to 1600 x 1200 x 16 bpp at 100 Hz and up to 1024 x 768 x 32 bpp at 60 Hz for TFT LCD
 - **LCD Interface:** Supports up to 24-bit TFT LCD (TTL signal)
 - **LVDS Interface:** Supports one channel 18-bit LVDS Interface
- **Dual Simultaneous Display:** CRT+LCD, CRT+LVDS

Ethernet interface

- **Chipset supports:**
 - 2 x 10/100Mbps - Realtek RTL8100
 - 2 x 10/100Mbps - Intel 82551ER(Optional)
- **Ethernet interface:** IEEE 802.3 z/ab (1000BASE-T) or IEEE 802.3u (100 BASE-T) protocol compatible
- Build in boot ROM (RTL8100)
- **Connector:** One RJ-45 connector, and one internal box header

Audio Function

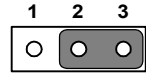
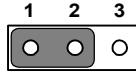
- **Audio controller:** Realtek ACL202 chipset, supports AC97 3D Audio stereo sound
- **Audio Interface:** Microphone in, Line in, Line out, Speaker out

Mechanical and Environmental

- **Dimensions** 145 x 102 mm (5.9"x 4.2")
Mechanical Drawing (dxf file) is available.
- **Power Supply Type:** AT/ATX
- **Power Requirement:** +5 V \pm 5%, +12 V \pm 5% (Optional),
5 V standby for ATX mode or single +5 V power only.
- **Power Consumption:** (Geode LX800, 256 MB DDR333)
Max: +5 V @ 1.2 A, +12 V @ 0.23 A
Typical: +5 V @ 0.6 A, +12 V @ 0.03 A
- **Operating temperature:** 0 ~ 60°C (32 ~ 140°F)
- **Weight:** 0.85 kg (reference weight of total package)

J2: Clear CMOS

Pin	Signal
1-2	BAT
2-3	Clear CMOS



J3: COM2 Setting

Pin	Signal
1-2	RS-232
3-4	RS-485
5-6	RS-422

Jumpers and Connectors

The board has a number of jumpers that allow you to configure your system to suit your application.

The table below lists the function of each of the jumpers and connectors.

Jumpers

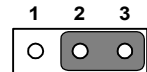
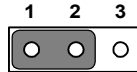
Label	Function
J2	Clear CMOS
J3	COM2 Setting
J4	Audio Power

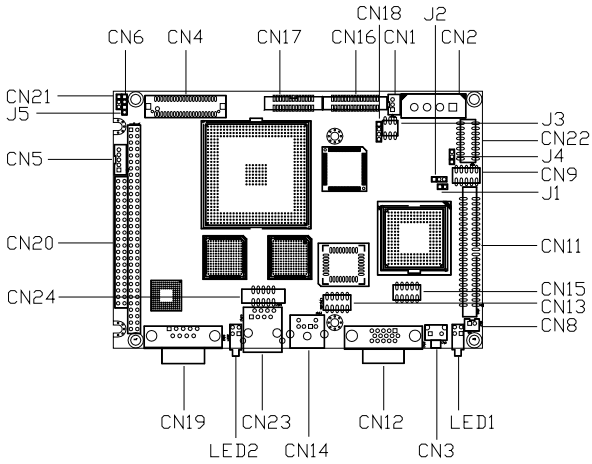
Connectors

Label	Function
CN1	Stand-by Power Input
CN2	Power Input
CN3	Reset Button
CN4	TFT LCD
CN5	Inverter Power
CN6	SMBus
CN7	DDR-SODIMM
CN8	ATX Power Button
CN9	GPIO
CN10	CF
CN11	IDE
CN12	CRT
CN13	USB1/2
CN14	Keyboard/Mouse
CN15	USB3/4
CN16	COM2/3/4
CN17	Print Port
CN18	RS-422/485
CN19	COM1
CN20	PC/104
CN21	ISA -5 V & -12 V Input
CN22	Audio
CN23	LAN1
CN24	LAN2

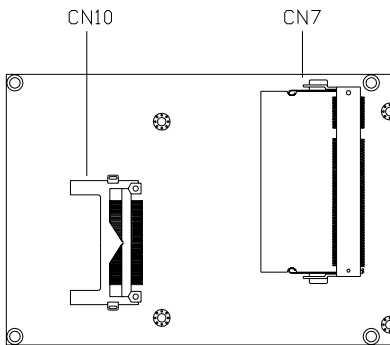
J4: Audio Power

Pin	Signal
1-2	With+12 V
2-3	Without+12 V

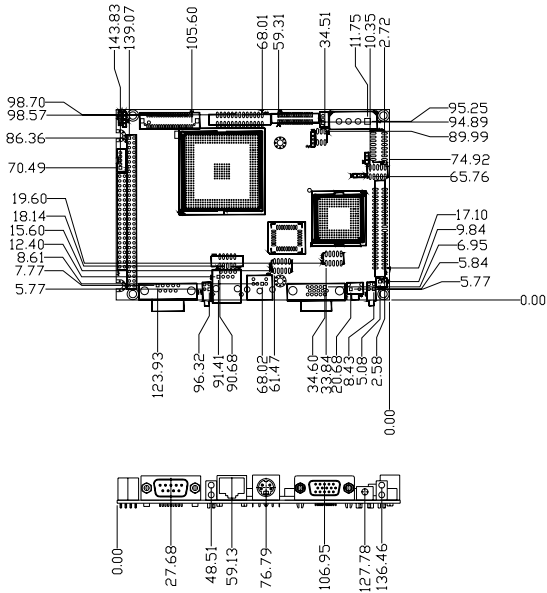




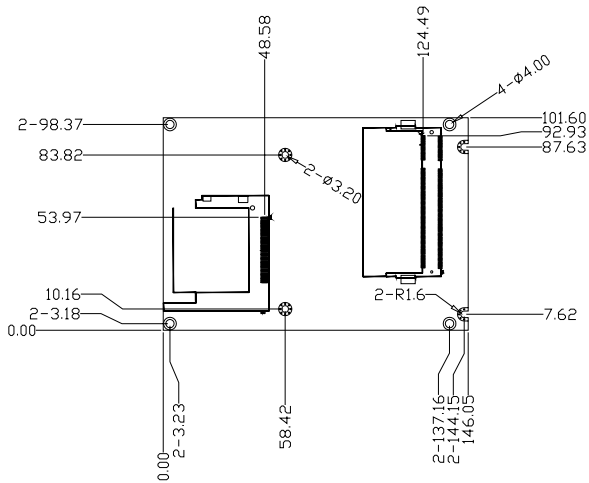
PCM-9375 Location Connectors & Jumpers (component side)



PCM-9375 Location Connectors (solder side)



PCM-9375 Mechanical Drawing (component side)



PCM-9375 Mechanical Drawing (solder side)