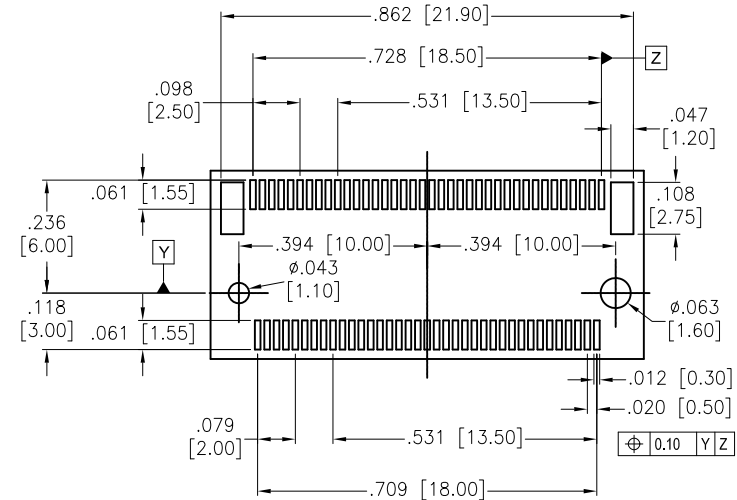
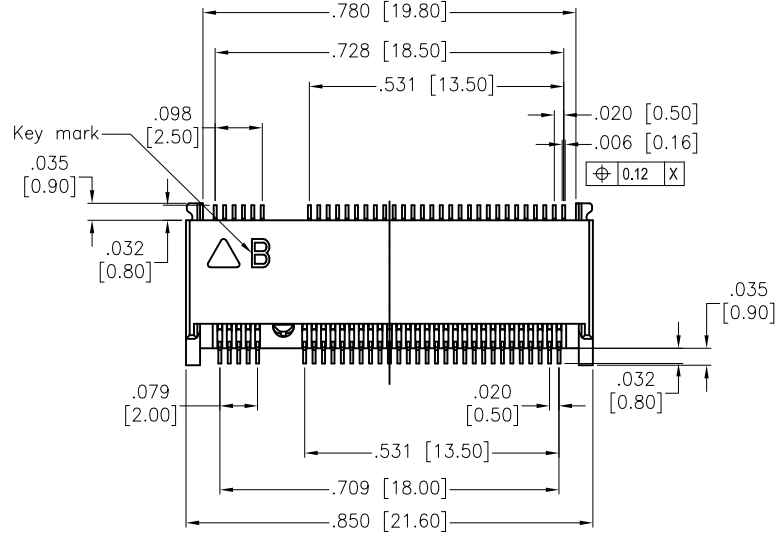
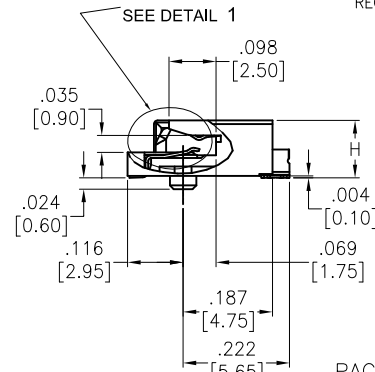
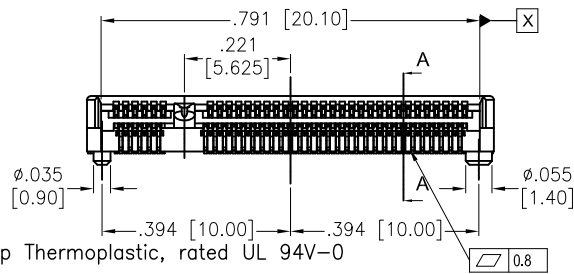


APPROVED: _____
 DATE: _____ TITLE: _____

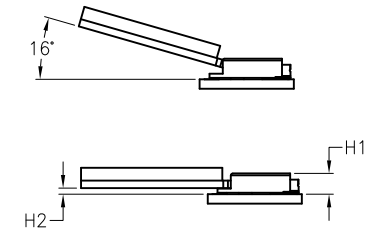
Rev	AWO #	Description	Date	Appr
-		RELEASED	10/3/19	
A		ADDED SPEC.	3/15/21	WX/JL
B		ADDED PACKING	12/9/21	JJ/RC



RECOMMENDED PCB LAYOUT



SECTION A-A



MATING CONDITION

PACKAGED ON TAPE & REEL

AWO #	AWO #	AWO #	AWO #
M2-A1-67-R-SMT-2.15-KB-T/R	.085 [2.15]	.087 [2.20]	.024 [0.60]
M2-A1-67-R-SMT-3.10-KB-T/R	.122 [3.10]	.124 [3.15]	.075 [1.90]
M2-A1-67-R-SMT-4.10-KB-T/R	.161 [4.10]	.163 [4.15]	.114 [2.90]
ADAM P/N	DIM. "H"	DIM. "H1"	DIM. "H2"

SPECIFICATIONS:

Material:
 Insulator: (LCP) Hi-Temp Thermoplastic, rated UL 94V-0
 Insulator Color: Black
 Contacts: Phosphor Bronze
 Hold down: Brass, Nickel Plated
 Solder area: Tin plated

Plating:
 Gold flash over Nickel underplate overall
 Electrical:
 Voltage rating: 50 VAC
 Current rating: 0.5A / (1Pin)
 Contact resistance: 55 mohms max
 Insulation resistance: 500 Mohms min
 Dielectric withstanding voltage: 300 VAC for 1 minute

Mechanical:
 Durability: 60 cycles min
 Insertion force: 20N max
 Withdrawal force: 25N
 Temperature Rating:
 Operating temperature: -40°C to +85°C

Environmental:
 Lead free, RoHS compliant



UNLESS OTHERWISE SPECIFIED ALL DIMENSIONS ARE INCHES [MM]. TOLERANCES: EXCEPT AS NOTED

INCHES		HOLES	
.X	± .10	∅ X	± .10
.XX	± .020	∅ XX	± .015
.XXX	± .015	∅ XXX	± .010

DRAWN	OW	10/3/19
CHECKED	RC	10/3/19
APPROVED		

THIS DRAWING CONTAINS INFORMATION THAT IS PROPRIETARY AND SHOULD NOT BE USED WITHOUT PRIOR WRITTEN PERMISSION FROM ADAM TECH



909 Rahway Avenue,
 Union, NJ 07083
 Phone: 908-687-5000
 Fax: 908-687-5710

TITLE
**M.2 CONNECTOR, 67PINS, SMT TYPE,
 2.15, 3.10, 4.10mm HEIGHT, B KEY**

SIZE X	PART NO. M2-A1-67-R-SMT-X.XX-KB-T/R	REV. B
REF: S00275T	SCALE: NTS	SHEET 1 OF 4

6 5 4 3 2 1

APPROVED: _____
 DATE: _____ TITLE: _____

Rev	AWO #	Description	Date	Appr
SEE SHT 1 OF 4 FOR REVISION				

FRONT SIDE

42<NGFF CARD 42mm TYPE>
 60<NGFF CARD 60mm TYPE>
 80<NGFF CARD 80mm TYPE>
 110<NGFF CARD 110mm TYPE>

22
 $\phi 3.5 \pm 0.05$
 $\phi 0.15 \text{CBA}$
 $\phi 5.5 \pm 0.1$
 MECHANICAL GND PAD
 AREA RESERVED FOR RF RECEPTACLE OR COMPONENTS WHEN NO RF RECEPTACLES USED
 COMPONENT AREA

3.8±0.15
 2
 PDS. No.75
 PITCH
 0.5
 1.2±0.05
 5.625
 1.25
 19.85±0.15
 2.5
 2.5
 34X0.35±0.04
 $\phi 0.15 \text{CBA}$
 $\phi 0.05 \text{C}$
 3.5
 4
 B
 PDS. No.1

1.25±0.1
 1.25±0.1
 1±0.1
 $\phi 3.5 \pm 0.1$
 MECHANICAL GND PAD
 COMPONENT AREA

4MIN.
 2-20°±5
 0.3±0.025
 0.2 MIN.
 0.8±0.08
 5.2MIN.
 0.15

BACK SIDE

2-R0.5
 PDS. No.2
 1.375
 13.5
 PITCH
 0.5
 33X0.35±0.04
 $\phi 0.15 \text{CBA}$
 $\phi 0.05 \text{C}$
 2.5
 PDS. No.74

KEY ID "B"
 RECOMMENDED MODULE LAYOUT
 GENERAL TOLERANCE ±0.15

UNLESS OTHERWISE SPECIFIED
 ALL DIMENSIONS ARE MILLIMETERS
 TOLERANCES: EXCEPT AS NOTED

MM	ANGLE
X ± 0.30	X. ±3'
.XX ± 0.20	.X ±1'
XXX ± 0.10	

DRAWN	OW	10/3/19
CHECKED	RC	10/3/19
APPROVED		

THIS DRAWING CONTAINS INFORMATION THAT IS PROPRIETARY AND SHOULD NOT BE USED WITHOUT PRIOR WRITTEN PERMISSION FROM ADAM TECH

909 Rahway Avenue,
 Union, NJ 07083
 Phone: 908-687-5000
 Fax: 908-687-5710

ADAM TECH

TITLE
 M.2 CONNECTOR, 67PINS, SMT TYPE,
 2.15, 3.10, 4.10mm HEIGHT, B KEY

SIZE X	PART NO. M2-A1-67-R-SMT-X.XX-KB-T/R	REV. B
-----------	--	-----------

REF: S00275T SCALE: NTS SHEET 2 OF 4

RoHS
 COMPLIANT

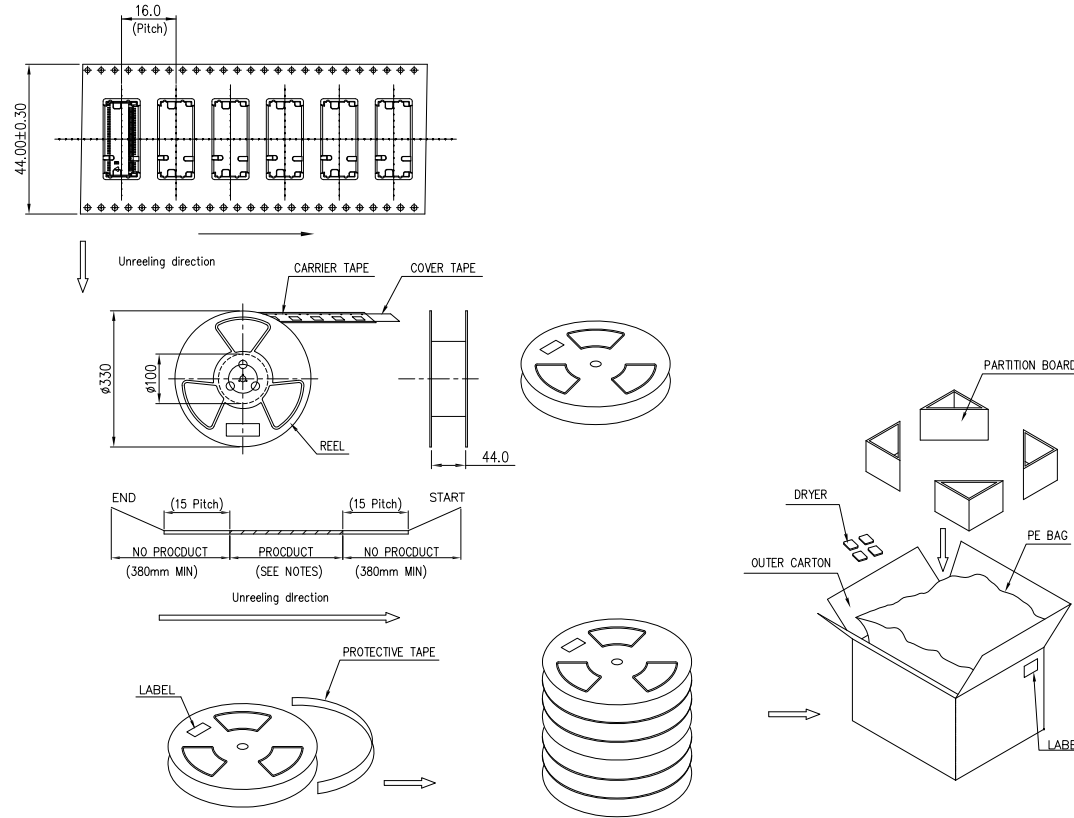
6 5 4 3 2 1

Rev	AWO #	Description	Date	Appr
SEE SHT 1 OF 4 FOR REVISION				

APPROVED: _____

DATE: _____ TITLE: _____

M2-A1-67-R-SMT-2.15-KB-T/R



NOTES:

- PACKING STYLE: 1,200 PCS/REEL
7,200 PCS/OUTER CARTON
- MATERIAL: CARRIER TAPE: PS BLACK
COVER TAPE: PET FILM
REEL: PLASTIC
- PEEL STRENGTH OF COVER TAPE: 20~80g
(PEEL SPEED 300mm/MINUTE)
- CARTON SIZE: 350x350x320mm
- G/W: Kg , N/W: Kg

UNLESS OTHERWISE SPECIFIED ALL DIMENSIONS ARE MILLIMETERS TOLERANCES: EXCEPT AS NOTED			 909 Rahway Avenue, Union, NJ 07083 Phone: 908-687-5000 Fax: 908-687-5710	
MM ANGLE .X ± 0.30 X. ± 3° .XX ± 0.20 .X ± 1° .XXX ± 0.10				
DRAWN	OW	10/3/19	TITLE M.2 CONNECTOR, 67PINS, SMT TYPE, 2.15, 3.10, 4.10mm HEIGHT, B KEY	
CHECKED	RC	10/3/19	SIZE PART NO. REV. X M2-A1-67-R-SMT-X.XX-KB-T/R B	
APPROVED			REF: S00275T SCALE: NTS SHEET 3 OF 4	
THIS DRAWING CONTAINS INFORMATION THAT IS PROPRIETARY AND SHOULD NOT BE USED WITHOUT PRIOR WRITTEN PERMISSION FROM ADAM TECH				

6

5

4

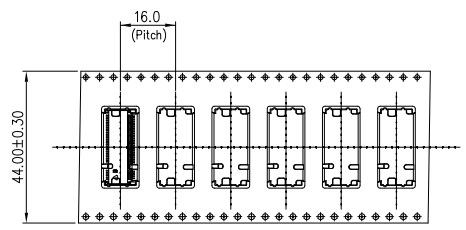
3

2

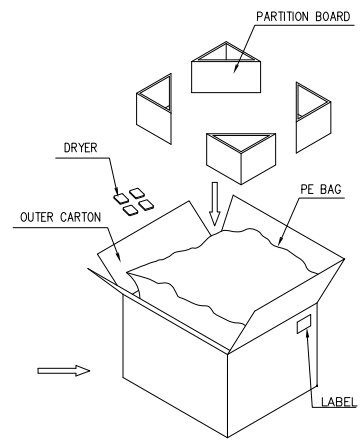
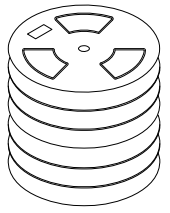
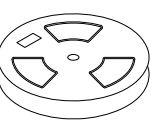
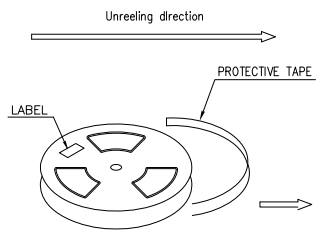
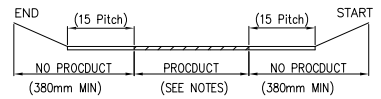
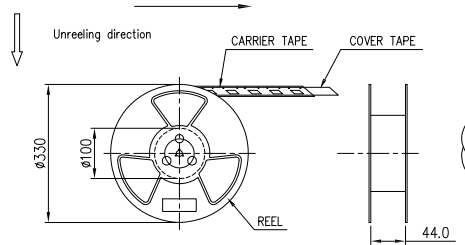
1

Rev	AWO #	Description	Date	Appr
SEE SHT 1 OF 4 FOR REVISION				

APPROVED: _____
 DATE: _____ TITLE: _____



M2-A1-67-R-SMT-3.10-KB-T/R
 M2-A1-67-R-SMT-4.10-KB-T/R



NOTES.

- PACKING STYLE: A) M2-043X0 (3.1H)
900 PCS/REEL
5,400 PCS/OUTER CARTON

B) M2-044X0 (4.1H)
700 PCS/REEL
4,200 PCS/OUTER CARTON
- MATERIAL: CARRIER TAPE: PS BLACK
COVER TAPE: PET FILM
REEL: PLASTIC
- PEEL STRENGTH OF COVER TAPE: 20~80g
(PEEL SPEED 300mm/MINUTE)
- CARTON SIZE: 350x350x320mm
- G/W: Kg , N/W: Kg

UNLESS OTHERWISE SPECIFIED ALL DIMENSIONS ARE MILLIMETERS TOLERANCES: EXCEPT AS NOTED		
MM	± 0.30	ANGLE ±3°
.X	± 0.20	.X ±1°
.XXX	± 0.10	
DRAWN	OW	10/3/19
CHECKED	RC	10/3/19
APPROVED		
THIS DRAWING CONTAINS INFORMATION THAT IS PROPRIETARY AND SHOULD NOT BE USED WITHOUT PRIOR WRITTEN PERMISSION FROM ADAM TECH		

ADAM TECH		909 Rahway Avenue, Union, NJ 07083 Phone: 908-687-5000 Fax: 908-687-5710	
TITLE		M.2 CONNECTOR, 67PINS, SMT TYPE, 2.15, 3.10, 4.10mm HEIGHT, B KEY	
SIZE	PART NO.	REV.	
X	M2-A1-67-R-SMT-X.XX-KB-T/R	B	
REF:	S00275T	SCALE:	NTS
		SHEET 4 OF 4	

6

5

4

3

2

1