

## Features

- Low Distortion Transformer Signal Coupling
- Complete Ringing Detector Circuit
- Low Power Hook Switch
- Electronic Inductor/Gyrator Circuit
- Surge Protection
- V.32 bis/V.34 Compatible
- PC Board Mountable
- 16kHz Metering Filter

## Applications

- Home Medical Devices
- Plant Monitoring Equipment
- Security/Alarm Systems
- Utility Meters
- Modems
- Voice Mail Systems
- Vending Machines
- Elevator Control Boxes
- Network Routers
- PBX Systems
- PC Mother Boards
- Telephony Applications
- Digital Telephone Answering Machines

## Description

IXYS Integrated Circuits Division's CYG2320 Series DAA Module provides a complete telephone line interface circuit in a small (1.07" x 1.07" x 0.4") package. The module provides a fast and cost-effective solution for designs that require an interface to the telephone line.

The CYG2320 is designed to meet PTT and safety regulations in Australia.

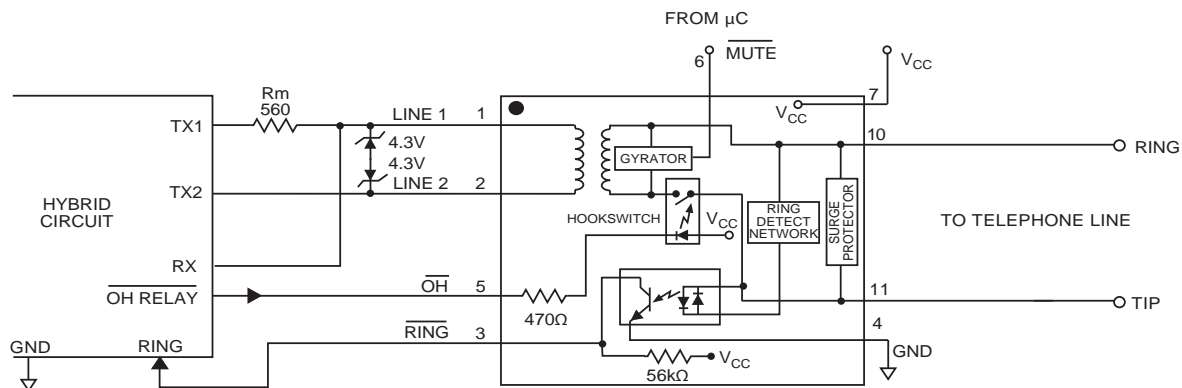
## Approvals

- BSI Approved to EN60950 Certificate #8123

## Ordering Information

Part	Description
CYG2320	DAA Modem Australia

## Typical Application



## 1 Specifications

### 1.1 Absolute Maximum Ratings @ 25°C

Symbol	Ratings	Units
Isolation Voltage, Input to Output	1500	V <sub>rms</sub>
Tip/Ring Load Current (Continuous)	120	mA
Hook Switch LED Drive Current	50	mA
Hook Switch LED Reverse Voltage	5	V
Ring Detect Phototransistor Voltage V <sub>CC</sub>	20	V
Relative Humidity (non-condensing)	10-85	%
Operational Temperature	0-70	°C
Storage Temperature	0-100	°C

Absolute maximum ratings are stress ratings. Stresses in excess of these ratings can cause permanent damage to the device. Functional operation of the device at conditions beyond those indicated in the operational sections of this data sheet is not implied.

### 1.2 DC Electrical Characteristics @ 25°C (Unless Otherwise Noted)

Parameter	Conditions	Minimum	Typical	Maximum	Units
On-Hook Impedance	V <sub>Tip-Ring</sub> = 100V <sub>DC</sub>	10	-	-	MΩ
On-Hook Line Leakage Current	V <sub>Tip-Ring</sub> = 100V <sub>DC</sub>	-	-	10	μA
Off-Hook Relay Supply Current	V <sub>CC</sub> = +5V	7	8	9	mA
Hook Switch Power Source	-	4.75	5	20	V
DC Loop Current	-	5	-	120	mA
Mute Relay Supply Current	V <sub>CC</sub> = +5V	7	8	9	mA

### 1.3 AC Signal Path Electrical Characteristics @ 25°C (Unless Otherwise Noted)

Parameter	Conditions	Minimum	Typical	Maximum	Units
Return Loss	f=300Hz to 3500Hz	14	25	-	dB
Insertion Loss	Test Circuit 1	-	-	7	dB
	Test Circuit 2				
Frequency Response	300Hz to 3500Hz	-0.25	-	+0.25	dB
Longitudinal Balance	-	60	-	-	dB
		40			
Total Harmonic Distortion	f = 350Hz, P = -10dBm	-	-80	-	dB
Secondary Load Impedance	Line 1 & Line 2	-	100	-	Ω
Primary Source Impedance	Tip & Ring	-	600	-	Ω

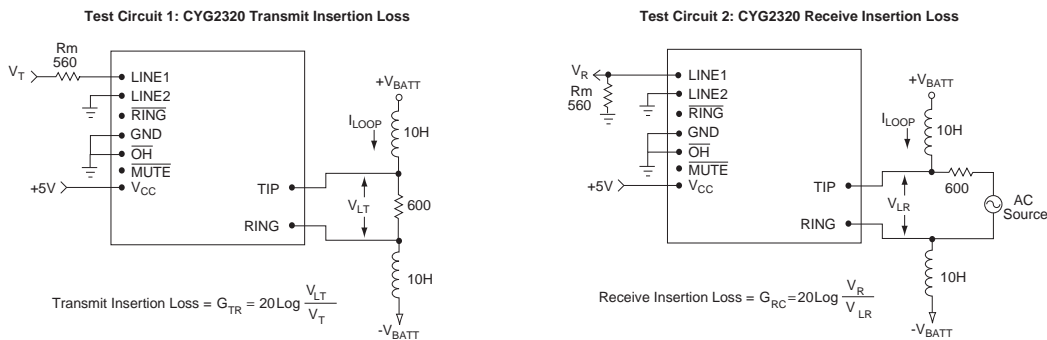
1.4 Ring Detection Circuit Electrical Characteristics @ 25°C (Unless Otherwise Noted)

Parameter	Conditions	Minimum	Typical	Maximum	Units
Ringing Voltage Detection Range	-	29	-	-	V <sub>rms</sub>
Ringing Frequency Detection Range	50Hz to 70Hz	15	-	70	Hz
Ringing Impedance	f = 25Hz	-	18	-	kΩ
RING Output Voltage (Pulsed)	V <sub>CC</sub> = +5V	-	-	0.8	V
Logic "0", Ring Present				V <sub>CC</sub>	
Logic "1", Ring Not Present					

1.5 Surge, Transient, and Isolation Electrical Characteristics @ 25°C (Unless Otherwise Noted)

Parameter	Conditions	Minimum	Typical	Maximum	Units
Surge Protection Voltage Tip & Ring	-	-	-	300	V
Isolation Voltage, Pins (1, 2, 3, 4, 5, 6, 7) to (10, 11)	60 Seconds	-	-	1500	V <sub>rms</sub>

1.6 Test Circuits



1.7 CYG2320 Pinouts and Definitions

Pinouts	Pin#	I/O	Name	Function
<div style="border: 1px solid black; padding: 5px; width: fit-content;"> <input type="checkbox"/> LINE 1 (PIN 1)  <input type="checkbox"/> LINE 2  <input type="checkbox"/> RING  <input type="checkbox"/> GND  <input type="checkbox"/> OH  <input type="checkbox"/> MUTE  <input type="checkbox"/> +V<sub>CC</sub> </div> <div style="margin-top: 10px;"> <input type="checkbox"/> TIP  <input type="checkbox"/> RING         </div> <p style="text-align: center;">Top View</p>	1	I/O	LINE 1	Transformer isolated audio signal coupling path for the telephone line.
	2	I/O	LINE 2	Transformer isolated audio signal coupling path for the telephone line.
	3	O	RING	Active low indicates incoming ring signal. This is pulsed low by the AC ring signal at the ring frequency.
	4	I	GND	Connected to host system ground.
	5	I	OH	Driving this pin low asserts the off-hook condition. The hook switch LED is current limited by an internal 470Ω resistor.
	6	I	MUTE	Driving this pin low activates the mute relay for pulse dialing. See Figure 1. The mute relay LED is current limited by an internal 470Ω resistor.
	7	I	V <sub>CC</sub>	Provides power to the hook switch LED. Voltage is usually +5V (for 8mA LED current). LED is current limited by an internal 470Ω resistor. V <sub>CC</sub> should not exceed 20V.
	10	I/O	Ring	Connection to telephone line Ring conductor.
	11	I/O	Tip	Connection to telephone line Tip conductor.

## 2 Off-Hook Transient Requirement

In order to meet Section 4.6.1 of the CTR-21 requirement, it is necessary to assert the  $\overline{\text{MUTE}}$  pin of the CYG2320 for a duration of 80ms after the  $\overline{\text{OH}}$  pin is driven low as shown in Figure 1. This can be accomplished via the host firmware or external hardware as shown in Figure 2 and Figure 3 respectively.

Figure 1. MUTE and OH Timing

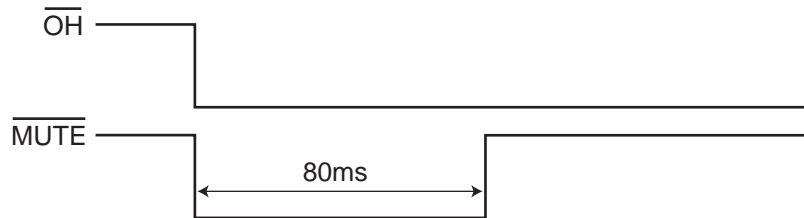


Figure 2.

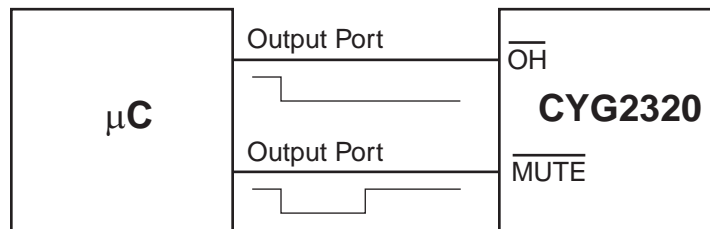
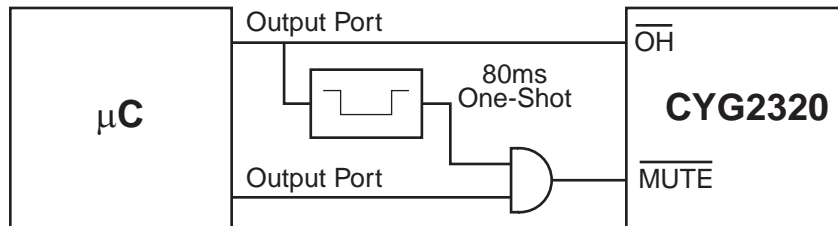


Figure 3.



Asserting the  $\overline{\text{MUTE}}$  pin causes the internal gyrator circuit in the CYG2320 to be bypassed, allowing low impedance pulse dialing to be performed by pulsing the  $\overline{\text{OH}}$  pin. In Figure 2, the micro-controller output port going to the  $\overline{\text{MUTE}}$  pin is used as a shunt for low impedance dialing, and is asserted for 80ms when the  $\overline{\text{OH}}$  signal is asserted. This method is preferred when the user has control of the host firmware, and can easily write a subroutine to accomplish this function.

For users who do not have easy access to the modem firmware, some external hardware can be added to accomplish the same function. Figure 3 shows a monostable multivibrator (one-shot) such as an NE555 timer that is designed to generate an 80ms low-going pulse upon the assertion of the  $\overline{\text{OH}}$  signal. This 80ms pulse is ANDed with the low impedance pulse dial shunt signal which overrides the 80ms signal when pulse dialing is enabled. The pulse dial shunt signal is included as a standard output pin in most modem chip sets. This pin is activated when an ATDP command is issued to the modem.

### 3 Manufacturing Information

#### 3.1 Handling and Assembly Recommendations

The CYG2320 is not hermetically sealed, and should not be exposed to any liquid-based rinsing processes. IXYS Integrated Circuits Division recommends two (2) approaches: (1) the modem should be installed in a wave-soldering process that uses a no-clean soldering flux that will mostly evaporate during the normal wave-soldering processes, (2) the modem should be soldered in by hand after the rest of the card is wave-soldered.

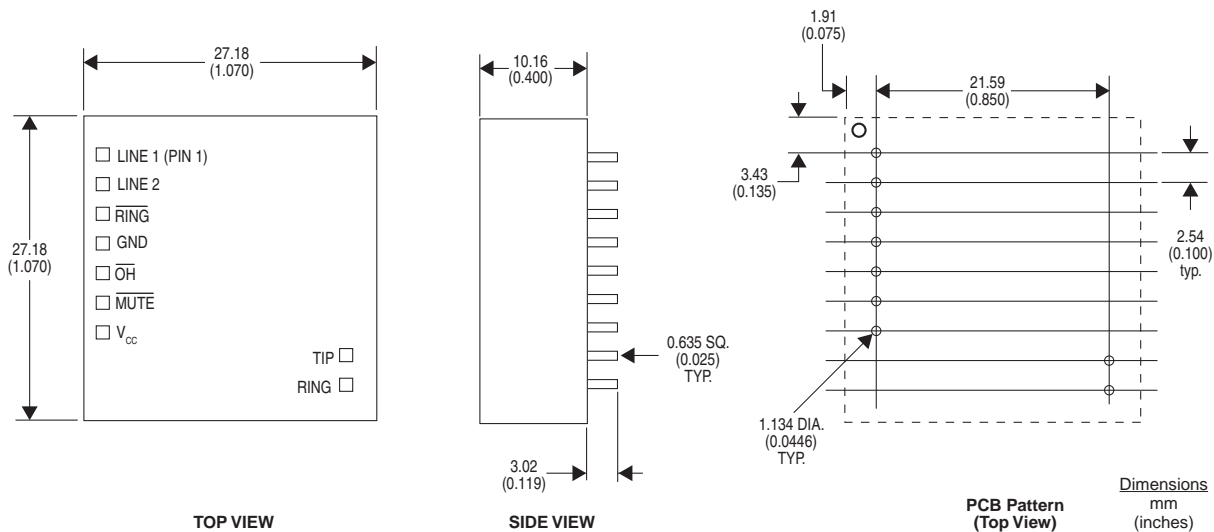
#### 3.2 Reflow Profile

This product has a maximum solder temperature as shown below.

Device	Maximum Temperature
CYG2320	260°C

#### 3.3 Mechanical Dimensions

##### 3.3.1 CYG2320



For additional information please visit our website at: [www.ixysic.com](http://www.ixysic.com)

IXYS Integrated Circuits Division makes no representations or warranties with respect to the accuracy or completeness of the contents of this publication and reserves the right to make changes to specifications and product descriptions at any time without notice. Neither circuit patent licenses nor indemnity are expressed or implied. Except as set forth in IXYS Integrated Circuits Division's Standard Terms and Conditions of Sale, IXYS Integrated Circuits Division assumes no liability whatsoever, and disclaims any express or implied warranty, relating to its products including, but not limited to, the implied warranty of merchantability, fitness for a particular purpose, or infringement of any intellectual property right.

The products described in this document are not designed, intended, authorized or warranted for use as components in systems intended for surgical implant into the body, or in other applications intended to support or sustain life, or where malfunction of IXYS Integrated Circuits Division's product may result in direct physical harm, injury, or death to a person or severe property or environmental damage. IXYS Integrated Circuits Division reserves the right to discontinue or make changes to its products at any time without notice.

Specification: DS-CYG2320-R03  
©Copyright 2019, IXYS Integrated Circuits Division  
All rights reserved. Printed in USA.  
1/31/2019