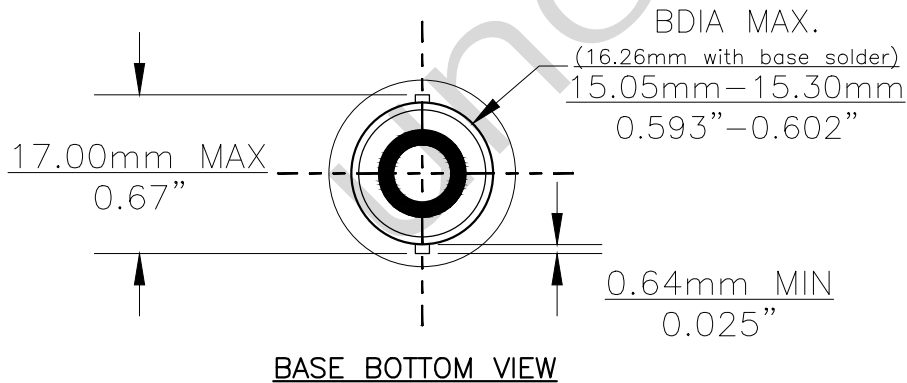
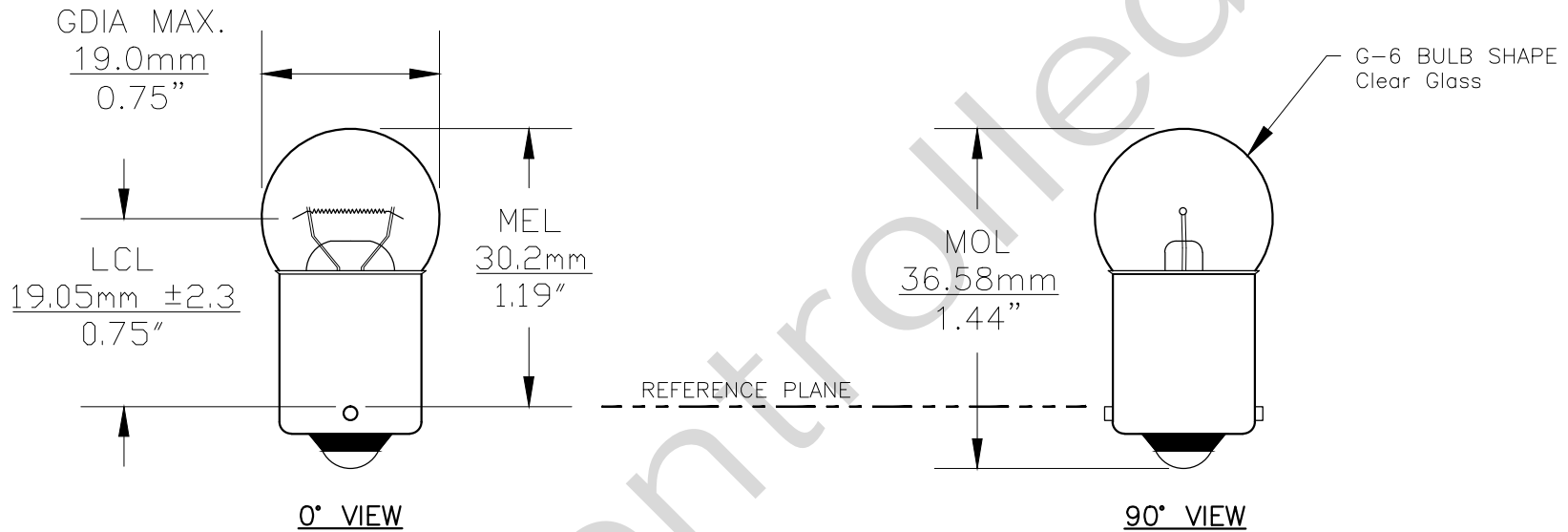




PART NO.	BASE TYPE	DESIGN VOLTS	DESIGN AMPS	MSCD	FILAMENT TYPE	AVERAGE LIFE HOURS	REVISIONS			
							REV #	DESCRIPTION	DATE	APPROVED
98	S.C. BAYONET (BA15s)	13.0V	0.62 ±8%	6 ±15%	C-6	800	1	ISSUED	11/03/2014	R.M.
							2	UPDATED FILAMENT FROM C-2V TO C-6	06/03/2015	R.M.
							3	UPDATED BASE DIAMETER	05/31/2019	R.M.



Note: Made according to SAE specifications

UNLESS OTHERWISE SPECIFIED: DIMENSIONS ARE IN INCHES TOLERANCES		CEC INDUSTRIES LTD			
DECIMALS .XX ± .05		599 BOND STREET		LINCOLNSHIRE, IL 60069	
ANGULAR .XXX ± .010		TITLE LIGHT BULB NO. 98			
FRACTIONAL ±1/64		SIZE A	FSCM NO.	DWG NO. 98	REV 3
DRAWN ROSE MEDINA	DATE 11/03/2014	SCALE	PLOT SCALE	SHEET 1 OF 1	
MATERIAL	FILE 98.pdf	DRAWING NOT TO SCALE			