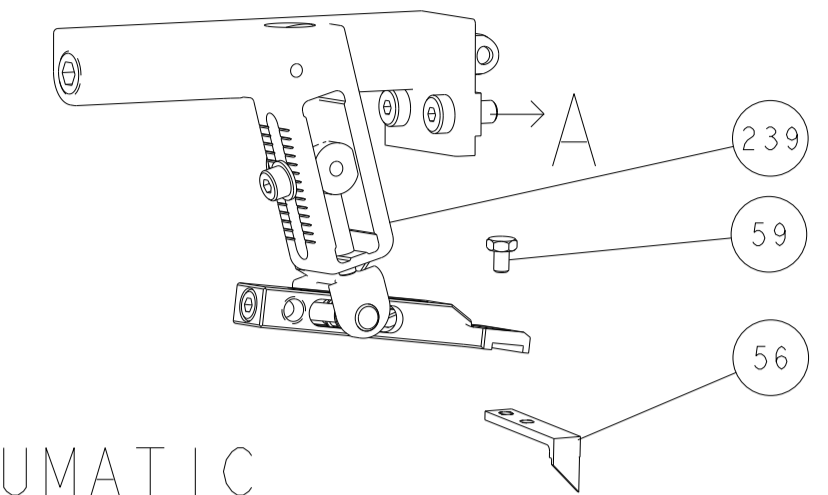
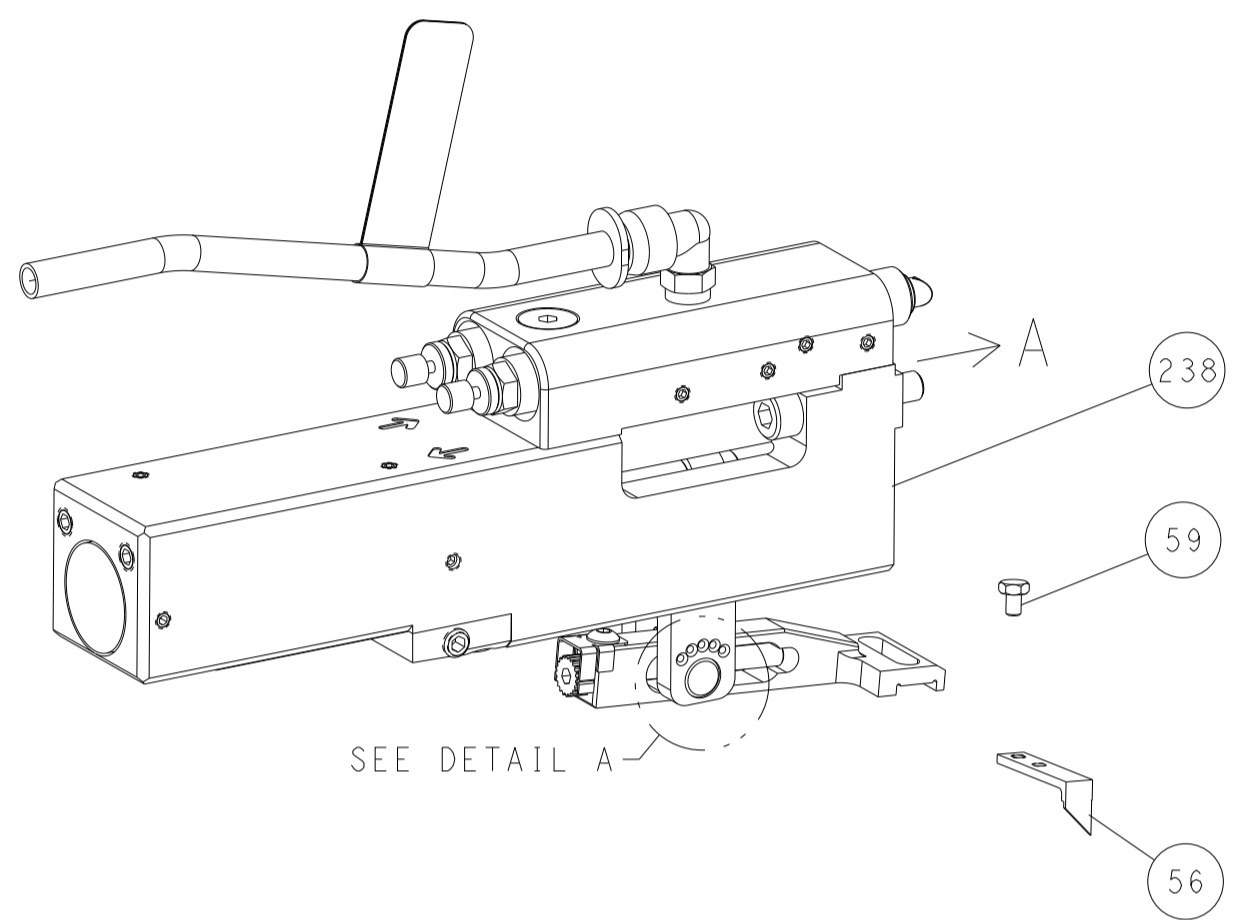


LOC	DIST	REVISIONS					
		P	LTN	DESCRIPTION	DATE	DWN	APVD
A	66	-	-	SEE SHEET 1	-	-	-

FEED TYPE MECHANICAL



PNEUMATIC

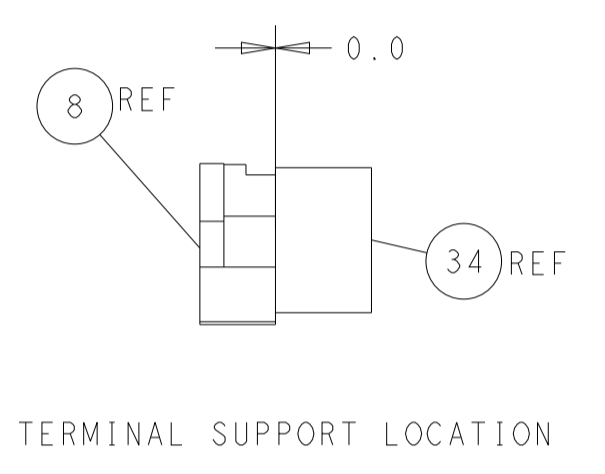
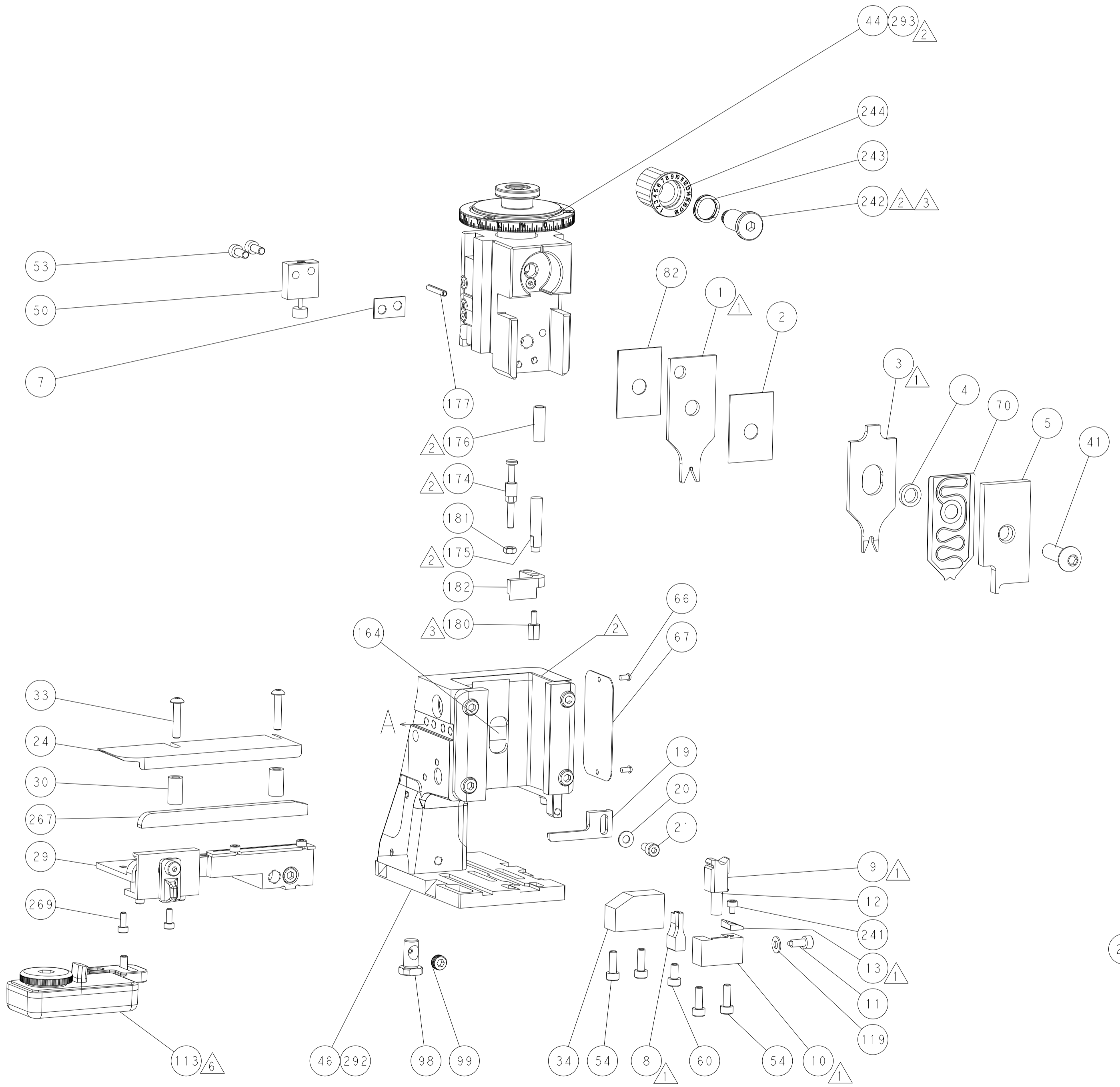
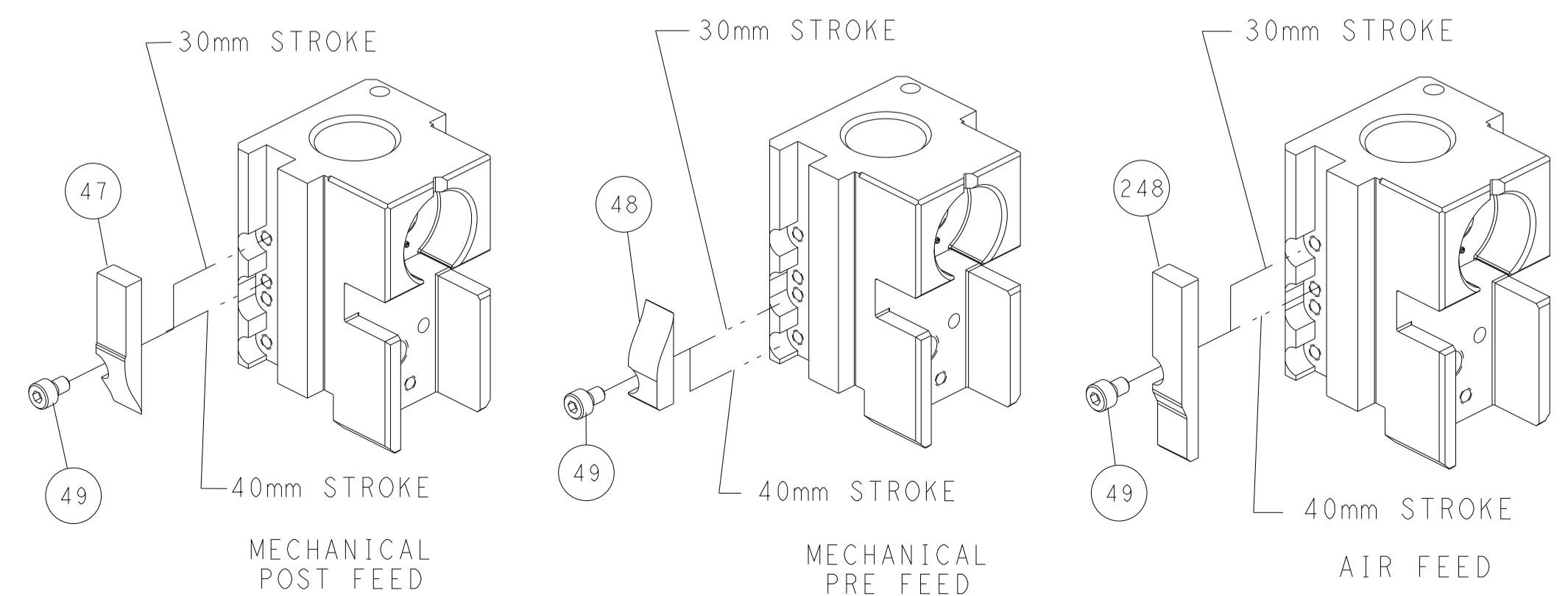


FEED SPRING SETTING POSITION (SHOWN FROM REAR SIDE)

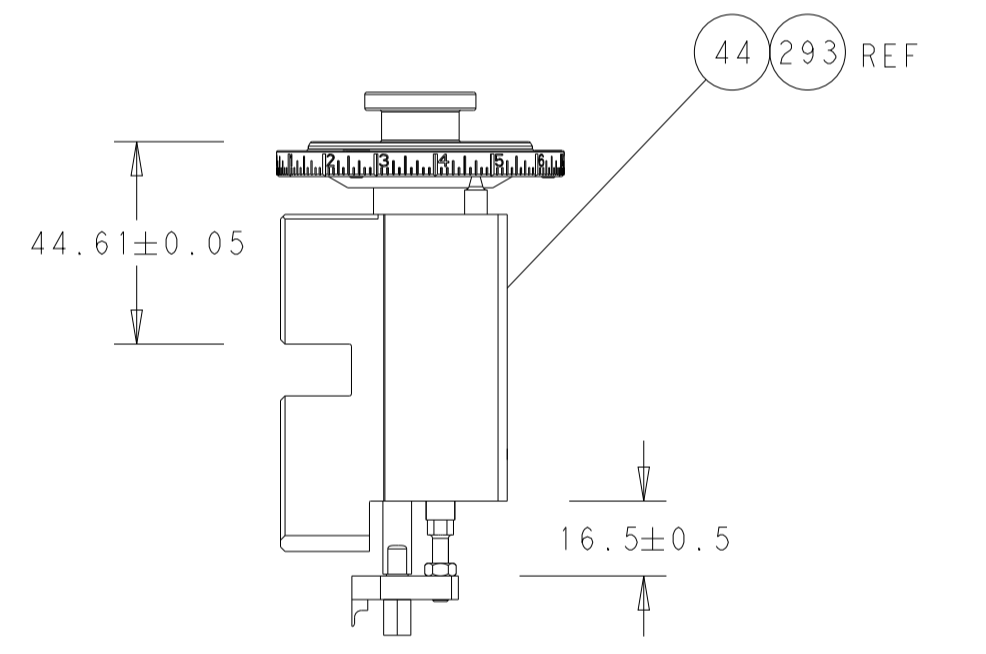


DETAIL A

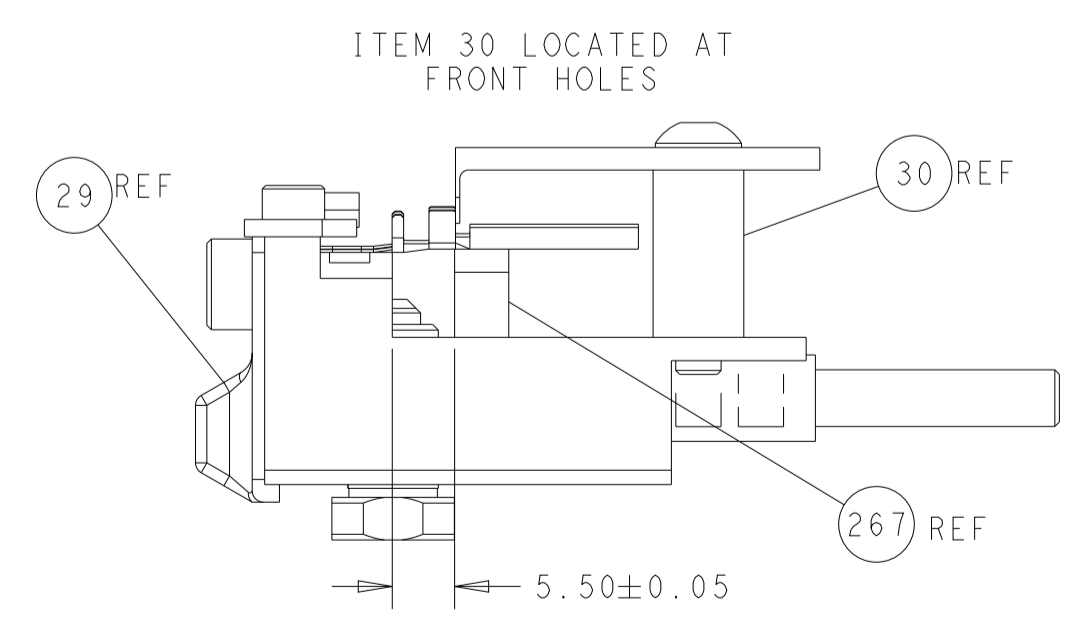
CAM POSITIONS



TERMINAL SUPPORT LOCATION



RAM AND HOLDDOWN SET-UP



FEED TRACK POSITION GUIDE BY WIRE BARREL

ATLANTIC VERSION
 Shown on sheets 1 of 4 & 2 of 4
 (Pacific version shown on sheets 3 of 4 & 4 of 4)

DIMENSIONS:		TOLERANCES UNLESS OTHERWISE SPECIFIED:		DWG		TE Connectivity	
mm	0 PLC ±	1 PLC ±	2 PLC ±	R. KNEPPER	16-Oct-13	Harrisburg, PA 17105-3608	
	3 PLC ±	4 PLC ±	ANGLES ±	CHK G. BAILEY	16-Oct-13	NAME Ocean Side Feed Applicator	
MATERIAL	FINISH	WEIGHT	SCALE	APVD M. CLIFFORD	16-Oct-13	RESTRICTED TO	
			1:2	PRODUCT SPEC		Customer Accessible Production Drawing	
				APPLICATION SPEC		SHEET 2 OF 4 REV J	
				SIZE CAGE CODE DRAWING NO		A1 00779 C=2266116	

PART NUMBER	REVISION	DESCRIPTION	FEED TYPE
2-2266116-1	J	FINE CRIMP HEIGHT ADJUST	MECHANICAL
2-2266116-2	J	FINE CRIMP HEIGHT ADJUST	PNEUMATIC
7-2266116-7	D	CRIMP TOOLING KIT	-
7-2266116-8	D	APPLICATOR CONVERSION KIT	-

PACIFIC VERSION TERMINATOR
 INTERFACE ADAPTER



APPLICATOR DATA

CRIMP	SIZE	TYPE
WIRE	1.75 mm [.069]	F
INSUL	2.79 mm [.110]	O

APPLICATOR INSTRUCTIONS
 408-35042

APPLICATOR CONVERSION KITS

PART NUMBER	INSULATION DIAMETER RANGE
7-2266116-8	Ø2.74-3.18mm [.108-.125]
7-2266117-8	Ø2.31-2.72mm [.091-.107]
7-2266118-8	Ø1.91-2.29mm [.075-.090]
7-2266119-8	Ø1.60-2.16mm [.063-.085]
7-2266120-8	Ø1.27-1.57mm [.050-.062]

TERMINAL DATA: DEUTSCH TERMINAL DEUTSCH CRIMP SPECIFICATION

TERMINAL NAME: STAMPED CONTACT PIN SIZE 20

WIRE STRIP LENGTH	INSULATION DIAMETER RANGE
3.81-5.09 mm [1.50-.200 IN]	Ø2.74-3.18 mm [.108-.125 IN]

TERMINAL APPLICATION SPECIFICATION 114-151003

TERMINAL DATA: DEUTSCH TERMINAL DEUTSCH CRIMP SPECIFICATION

TERMINAL NAME: STAMPED CONTACT SOCKET SIZE 20

WIRE STRIP LENGTH	INSULATION DIAMETER RANGE
3.81-5.09 mm [1.50-.200 IN]	Ø2.74-3.18 mm [.108-.125 IN]

TERMINAL APPLICATION SPECIFICATION 114-151003

TERMINALS APPLIED

TE TERMINAL	DEUTSCH TERMINAL	TE TERMINAL	DEUTSCH TERMINAL
1572032-1	1060-20-0122	1572032-2	1060-20-0144
1572032-7	1060-20-0177		

TERMINALS APPLIED

TE TERMINAL	DEUTSCH TERMINAL	TE TERMINAL	DEUTSCH TERMINAL
286680-1	1062-20-0122	286680-2	1062-20-0144
286680-9	1062-20-0177	286680-5	1062-20-0322
286680-6	1062-20-0344	1-286680-0	1062-20-0377

WIRE SIZE	CRIMP HEIGHT mm [INCH]	CRIMP HEIGHT REFERENCE SETTING
1.50mm2	1.47+0.03/-0.05 [.058+.001/-0.002]	3.4
16 AWG	1.27+0.03/-0.05 [.050+.001/-0.002]	5.4
1.00mm2	1.27+0.03/-0.05 [.050+.001/-0.002]	5.4
18 AWG	1.24+0.03/-0.05 [.049+.001/-0.002]	5.7
0.75mm2	1.22+0.03/-0.05 [.048+.001/-0.002]	5.9
0.60mm2	1.07+0.03/-0.05 [.042+.001/-0.002]	7.4
20 AWG	0.99+0.03/-0.05 [.039+.001/-0.002]	8.2
0.50mm2	0.97+0.03/-0.05 [.038+.001/-0.002]	8.4
22 AWG	0.94+0.03/-0.05 [.037+.001/-0.002]	8.7
0.35mm2	0.94+0.03/-0.05 [.037+.001/-0.002]	8.7

- 1 RECOMMENDED SPARE PARTS
 - 2 REFER TO SUPPLIED INSTRUCTION SHEET FOR CLEANING, LUBRICATION & STORAGE OF APPLICATOR.
 - 3 APPLY PART NUMBER 2-23419-6 LOCTITE TO THREADS OF ITEM 242.
 - 4 CRIMP HEIGHT REFERENCE SETTING WAS THE SETTING USED WHEN THE APPLICATOR WAS QUALIFIED AT THE FACTORY. ADJUSTMENT MAY BE NECESSARY WHEN RUNNING APPLICATOR IN THE FIELD.
 - 5 SEE APPROPRIATE APPLICATOR LOG SHEETS FOR APPLIED TERMINALS, WIRE RANGE AND MEMORY CHIP.
 - 6 TERMINAL LUBRICANT IS RECOMMENDED.
7. UNLESS SPECIFIED OTHERWISE TORQUE VALUES SHALL BE USED PER DOCUMENT 101-35000.

***WARNING**
 ON INSTALLATION, SET WIRE DISC TO CRIMP HEIGHT REFERENCE SETTING FOR LARGEST WIRE SIZE. CRIMP HEIGHT REFERENCE SETTINGS GREATER THAN THE VALUE SHOWN MAY CAUSE DAMAGE TO THE CRIMP TOOLING, REFER TO THE INSTRUCTION SHEET FOR PROPER SETUP AND ADJUSTMENTS.

PACIFIC VERSION
 Shown on sheets 3 of 4 & 4 of 4
 (Atlantic version shown on sheets 1 of 4 & 2 of 4)

LOC	DIST	REV	DATE	BY	APPV
A	66				

REV	DATE	BY	APPV	DESCRIPTION	ITEM NO	
-	-	2	2	2168083-1	SCR, SKT HD CAP, RoHS, M3 X 8.0	269
-	-	1	1	2-1633782-0	FENCE	267
-	-	1	1	2119082-9	CAM, SNAIL, INSULATION ADJUSTMENT	244
-	-	1	1	2079764-1	WASHER, WAVE SPRING, CREST-TO-CREST	243
3	-	1	1	2119083-1	RETAINER, INSULATION DIAL	242
-	-	1	1	7-18023-7	SCR, SKT HD CAP M3 X 4.0	241
-	-	-	1	2119580-1	MECHANICAL FEED ASSEMBLY	239
-	-	1	1	2844940-1	AIR FEED MODULE	238
-	-	REF	REF	994970-2	COUNTER, MAGNETIC	164
-	-	1	-	2119641-2	FEED CAM, AIR FEED	151
-	-	1	1	2168083-8	SCR, SKT HD CAP, RoHS, M4 X 16	144
-	-	4	4	2168083-9	SCR, SKT HD CAP, RoHS, M4 X 20	143
-	-	-	1	2119653-2	FEED CAM, POST FEED	142
-	-	1	1	1-1803583-0	APPLICATOR BASIC ASSEMBLY, SF	141
-	-	1	1	1803516-1	RAM ASSEMBLY, SF PACIFIC	140
-	-	1	1	1-18028-2	WASHER, FLAT, REG M4	119
6	-	1	1	2119955-1	ASSY, LUBRICATOR, SIDE FEED	113
-	-	1	1	2844908-1	SCREW, LOCKING	99
-	-	1	1	2844907-1	POST, LOCKING	98
-	-	1	1	455888-7	SPACER, CRIMPER	82
1	-	-	-	2266116	PRINT, APPLICATOR LOG SHEET	72
-	-	1	1	1803607-3	DOCUMENTATION PACKAGE	71
-	-	1	1	2119791-9	DEPRESSOR, WIRE	70
-	-	1	1	2119740-1	TAG IDENTIFICATION	67
-	-	2	2	2168078-1	SCREW, DRIVE, RH, RoHS, 2 x .188	66
-	-	1	1	5-18022-5	SCR, HEX HD CAP, M4 X 6.0	59
-	-	1	1	1338685-1	PAWL, FEED	56
-	-	2	2	1-2168083-0	SCR, SKT HD CAP, RoHS, M4 X 10	53
-	-	1	1	1803382-6	HOLD DOWN, SPRING LOADED	50
-	-	1	2	18023-9	SCR, SKT HD CAP M4 X 6.0	49
-	-	-	1	2119652-1	FEED CAM, PRE FEED	48
-	-	1	1	1803602-1	SCR, BHSC, RoHS (M8 X 25)	41
-	-	1	1	2-1752356-0	SUPPORT, TERMINAL	34
-	-	2	2	2079383-5	SCR, BHSC, RoHS (M4 X 20)	33
-	-	2	2	2-2844962-8	SPACER, CYLINDRICAL, STRIP GUIDE	30
-	-	1	1	2844992-1	ASSEMBLY, STRIP GUIDE	29
-	-	1	1	1320928-2	STRIP GUIDE	24
-	-	1	1	2168083-2	SCR, SKT HD CAP, RoHS, M4 X 8.0	21
-	-	1	1	1-18028-2	WASHER, FLAT, REG M4	20
-	-	1	1	2119533-1	STRIPPER, SIDE FEED	19
1	-	1	1	2119806-1	INSERT, SHEAR	13
-	-	1	1	3-22280-3	SPRING, COMPRESSION	12
-	-	1	1	1-356885-4	STOP, SHEAR	11
1	-	1	1	2119805-1	SHEAR HOLDER, FRONT	10
1	-	1	1	1803095-1	FLOATING SHEAR, FRONT	9
1	1	1	1	1-1803293-2	ANVIL, COMBINATION DEUTSCH STYLE	8
-	-	1	1	2-240641-8	SPACER	7
-	-	-	-	-	-	6
-	-	1	1	2119757-3	DEPRESSOR, SHEAR	5
-	-	1	1	238011-9	BLOCK, CRIMPER SPACER	4
1	1	1	1	1803019-4	CRIMPER, INSULATION O	3
-	-	1	1	455888-8	SPACER, CRIMPER	2
1	-	1	1	1803364-2	CRIMPER, WIRE PREMIUM	1
-78	-77	-22	-21	PART NO	DESCRIPTION	ITEM NO

DIMENSIONS:		TOLERANCES UNLESS OTHERWISE SPECIFIED:		DWN R. KNEPPER 16-Oct-13 CHK G. BAILEY 16-Oct-13 APVD M. CLIFFORD 16-Oct-13	NAME STE TE Connectivity Harrisburg, PA 17105-3608
0 PLC ± 1 PLC ± 2 PLC ± 3 PLC ± 4 PLC ± ANGLES ± FINISH	± ± ± ± ± ±	APPLICATION SPEC	SIZE CAGE CODE DRAWING NO A1 00779 C=2266116	RESTRICTED TO	WEIGHT
MATERIAL		FINISH		CUSTOMER ACCESSIBLE PRODUCTION DRAWING	SCALE 1:2 SHEET 3 OF 4 REV J

