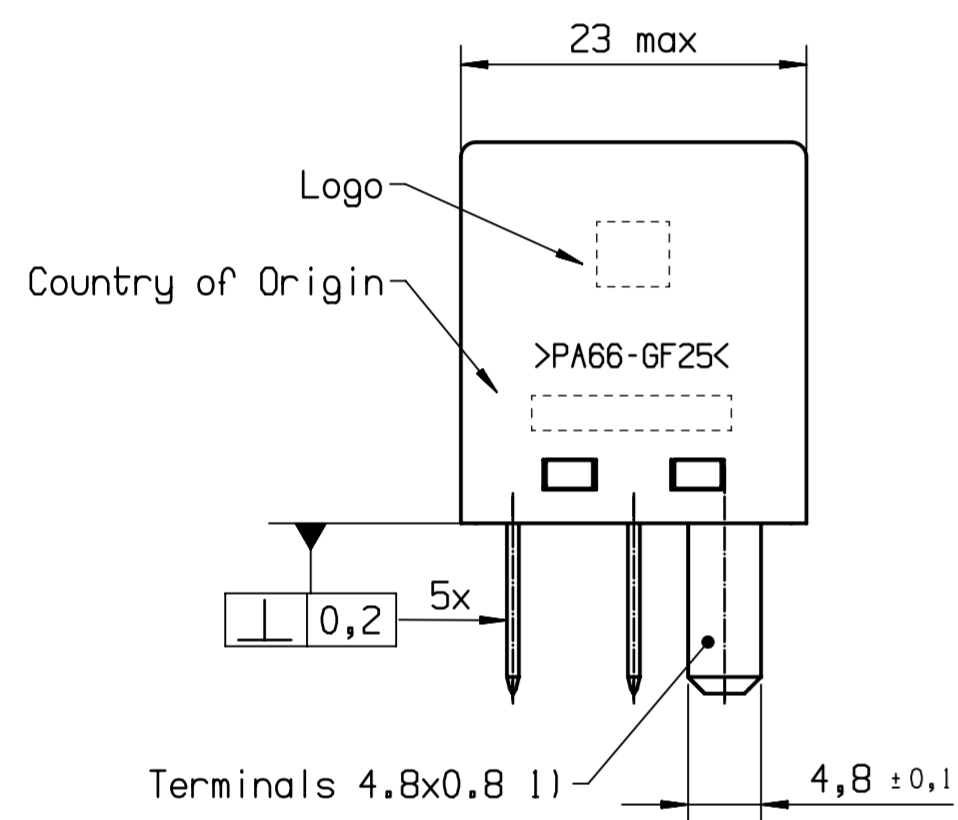
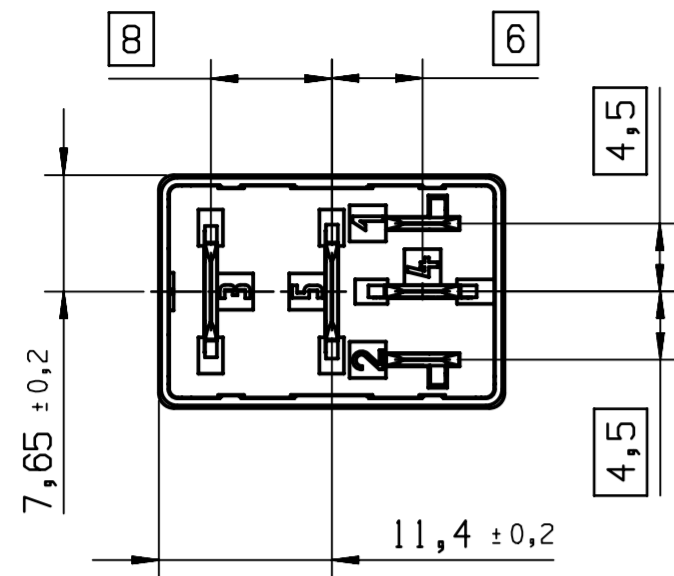
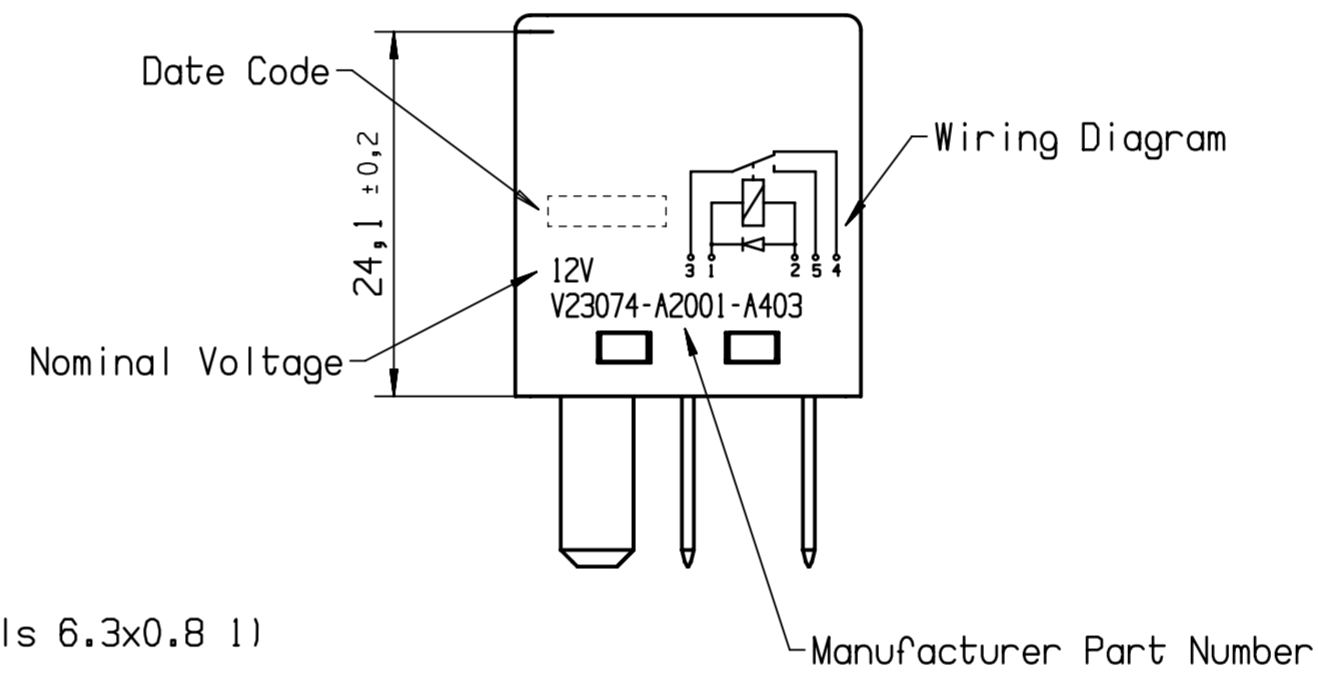
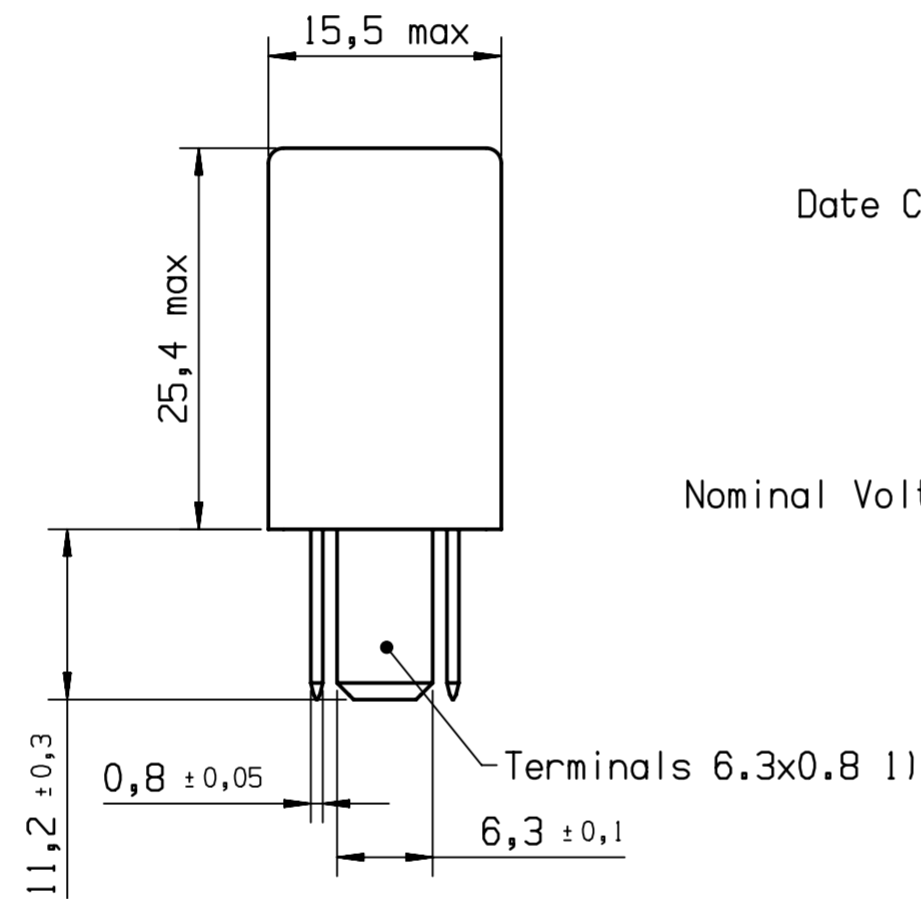
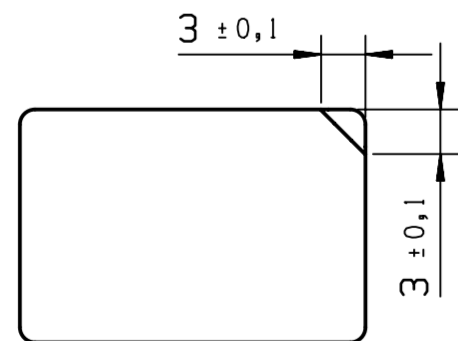


Positional Tolerance: $\pm 0,15$

Terminal Layout
Bottom View



View From the Topside



Electrical Characteristics:

Coil Resistance	: 119 Ohm
Nominal Voltage	: 12V
Pull-in Voltage	: 7,2V *)
Dropout Voltage	: 1,6V *)
Temperature Range	: -40° to +125° C

*) Coil at ambient Temperature

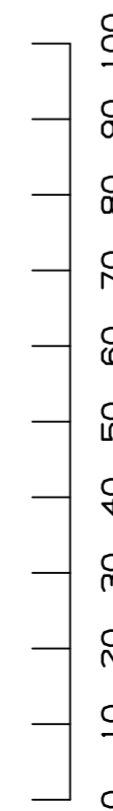
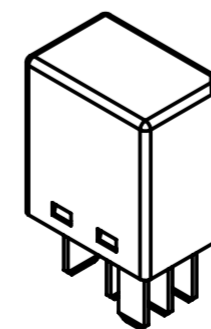
Terminal Shape (1,2,4) with 4.8x0.8
Terminal Shape (3,5) with 6.3x0.8

1) Tray package of 500 pcs = 100 pcs x 5 trays

	Material	Finish	Color
Cover	PA66-GF25		Black
Base	PA66-GF25		Black
Terminal 1, 2	CuSn	Sn 2..4 μm	
Terminal 3, 4, 5	ECu57	Sn 2..4 μm	

CUT EDGES WITHOUT TIN PLATING ALLOWED

Relay Reference	Part Number	Notes
V23074-A2001-A403	6-1419137-4	EV-CBOX
V23074-A2001-A403	9-1904105-7	SZ-CBOX
V23074-A2001-A403	3-1904124-9	EV-TRAY; 1)



<p>PROPRIETARY</p> <p>THE REPRODUCTION, TRANSMISSION OR USE OF THIS DOCUMENT OR IT'S CONTENTS IS NOT PERMITTED WITHOUT EXPRESSED WRITTEN AUTHORITY. OFFENDERS WILL BE LIABLE FOR ALL DAMAGES. ALL RIGHTS, INCLUDING RIGHTS CREATED BY REGISTERED PATENT(S) GRANTED FOR A UTILITY MODEL OR DESIGN, ARE RESERVED.</p>				<p>CHANGES TO THIS DRAWING MUST BE DONE ONLY IN CAD</p>	<p>PAPER SIZE</p> <p>A2</p>
<p>APPLICABLE SPEC.:</p>				<p>FINISH</p>	
<p>TOLERANCE UNLESS SPECIFIED OTHERWISE</p>				<p>DIMENSIONS APPLY PLATING</p>	
<p>DIMENSIONS IN MM</p>				<p>SCALE</p> <p>2:1; 5:1</p>	<p>WEIGHT</p>
<p>DATE NAME</p> <p>DWN. 23OCT2014 HFranc.</p>				<p>MATERIAL</p> <p>---</p>	
<p>APP. REV.</p>				<p>PART NAME</p> <p>MICRO A RELAY</p>	
<p>LOCATION PE Evora</p>				<p>12V - DIODE</p>	
<p>A4 ECO-21-004021 26MAR2021 HMF</p>				<p>DWG NO.</p> <p>V23074-A2001-A403</p>	
<p>A3 ECO-20-011741 20AUG2020 HMF</p>				<p>SHT. 1</p>	
<p>A2 ECO-20-008696 25JUN2010 HMF</p>				<p>OF 1</p>	
<p>A1 ECO-16-004230 18MAR2016 HMF</p>				<p>CLASS I</p>	
<p>A INITIAL DRAWING 23OCT2014 HMF</p>				<p>CUSTOMER DRAWING</p>	
<p>REV. CHANGE ORDER DATE APP.</p>				<p>STE connectivity</p>	