

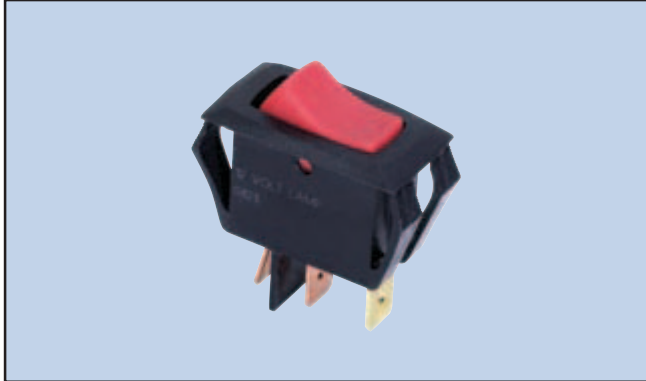
Illuminated Rocker Switches

Miniature Snap-In for Low Voltage Applications



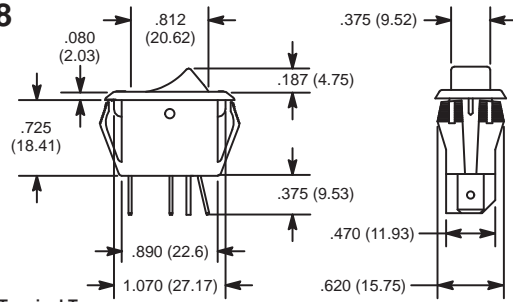
Features

- For Low Voltage Applications
- .250" Quick Connect Terminals

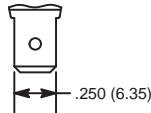


NTE Type No.	Circuitry	Action			Actuator	Lens Color	Diag No.
54-083	SPST	OFF	NONE	ON	Translucent Nylon	Red	S18b
54-086	SPST	OFF	NONE	ON	Clear Nylon	Blue	S18b

S18



Terminal Types
b: .250" Tab (Q.C.)



Wiring Diagram



Specifications

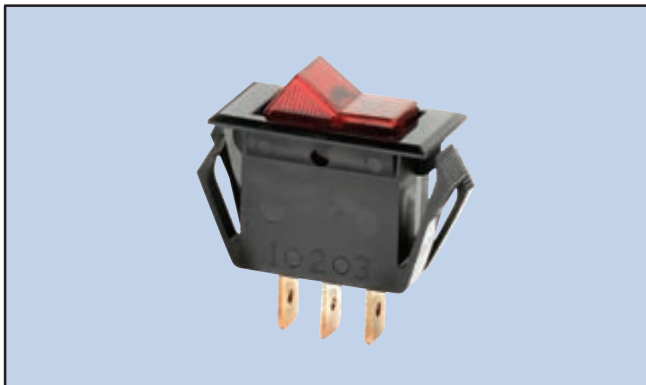
- Current Rating:** 10A 12VDC
- Lamp Voltage:** 12V Incandescent
- Insulation Resistance:** 100 Megohms (min.)
- Dielectric Strength:** 1000V RMS (min.)
- Temperature Rating:** +32° to +185°F (0° to +85°C)
- Electrical Life:** 100,000 cycles
- Mechanical Life:** 100,000 cycles
- Terminal Type:** .250" Tab Q.C.
- Mounting Hole:** 1.125 (28.58) x .550 (13.97)

Miniature Snap-In Nylon



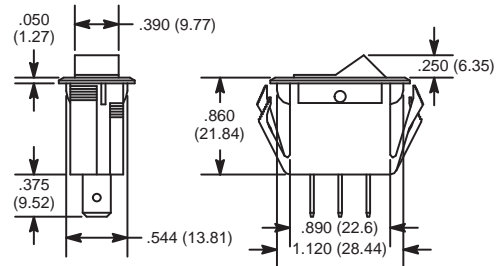
Features

- Single Pole
- Double Insulated



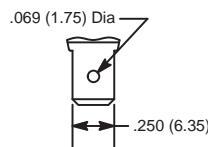
NTE Type No.	Circuitry	Action			Actuator	Lens Color	Diag No.
54-054	SPST	OFF	NONE	ON	Nylon	Red	S16b

S16

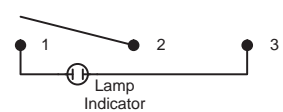


Terminal Types

b: .250" Tab (Q.C.)



Wiring Diagram



Specifications

- Current Rating:** 15A 125VAC, 10A 250VAC, 3/4 HP 125-250VAC
- Lamp Voltage:** 125V Neon
- Insulation Resistance:** 100 Megohms (min.)
- Dielectric Strength:** 1000V RMS (min.)
- Temperature Rating:** +32° to +185°F (0° to +85°C)
- Electrical Life:** 100,000 cycles
- Mechanical Life:** 100,000 cycles
- Terminal Type:** .250" Tab Q.C.
- Mounting Hole:** 1.125 (28.57) x .550 (13.97)

Illuminated Rocker Switches

Miniature Snap-In Nylon



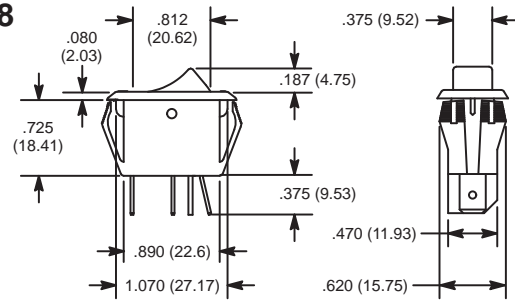
Features

- Single Pole
- .250" Quick Connect Terminals

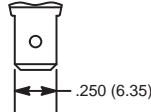


NTE Type No.	Circuitry	Action			Actuator	Lens Color	Diag No.
54-064	SPST	OFF	NONE	ON	Translucent Nylon	Amber	S18b
54-065	SPST	OFF	NONE	ON		Red	S18b
54-517	SPST	OFF	NONE	ON	Clear Nylon	Red	S18b
54-518	SPST	OFF	NONE	ON		Green	S18b
54-519	SPST	OFF	NONE	ON		Amber	S18b

S18



Terminal Types
b: .250" Tab (Q.C.)



Wiring Diagram



Specifications

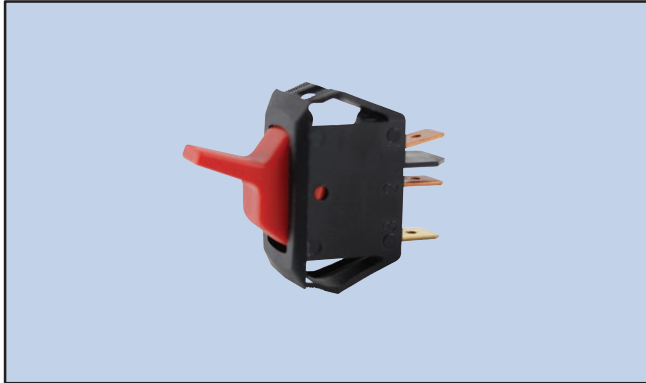
Current Rating: 16A 125VAC, 10A 250VAC, 10(4)A 250VAC \square T85
Lamp Voltage: 125V Neon
Insulation Resistance: 100 Megohms (min.)
Dielectric Strength: 1000V RMS (min.)
Temperature Rating: +32° to +185°F (0° to +85°C)
Electrical Life: 100,000 cycles
Mechanical Life: 100,000 cycles
Terminal Type: .250" Tab Q.C.
Mounting Hole: 1.125 (28.58) x .550 (13.97)

Miniature Snap-In Nylon



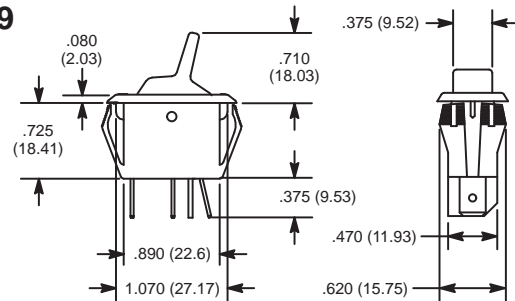
Features

- Single Pole
- .250" Quick Connect Terminals



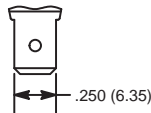
NTE Type No.	Circuitry	Action			Actuator	Lens Color	Diag No.
54-105	SPST	OFF	NONE	ON	Translucent Nylon	Amber	S19b
54-106	SPST	OFF	NONE	ON		Red	S19b

S19



Terminal Types

b: .250" Tab (Q.C.)



Wiring Diagram



Specifications

Current Rating: 16A 125VAC, 10A 250VAC, 10(4)A 250VAC \square
Lamp Voltage: 125V Neon
Insulation Resistance: 100 Megohms (min.)
Dielectric Strength: 1000V RMS (min.)
Temperature Rating: +32° to +185°F (0° to +85°C)
Electrical Life: 100,000 cycles
Mechanical Life: 100,000 cycles
Terminal Type: .250" Tab Q.C.
Mounting Hole: 1.125 (28.58) x .550 (13.97)

Illuminated Rocker Switches

Miniature Snap-In Nylon



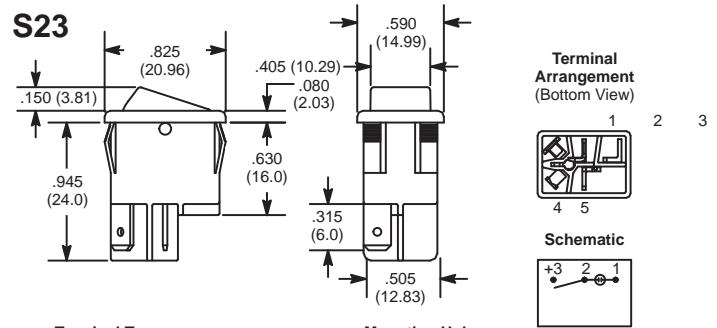
Features

- Single Pole
- .187" Quick Connect Terminals
- Fits Standard Panel Cutout
- High Inrush Capability
- Shallow Base Design



NTE Type No.	Circuitry	Action			Actuator	Lens Color	Diag No.
54-080	SPST	ON	NONE	OFF	Polycarbonate	Red	S23b

S23



Terminal Types

b: .187" Tab (Q.C.)

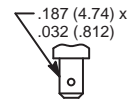
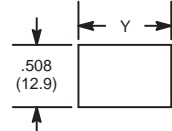


Table 1.

Panel Thickness	Y
.030 (.762) - .060 (1.52)	.756 (19.20)
.060 (1.52) - .093 (2.36)	.764 (19.40)
.093 (2.36) - .156 (3.96)	.780 (19.81)



Specifications

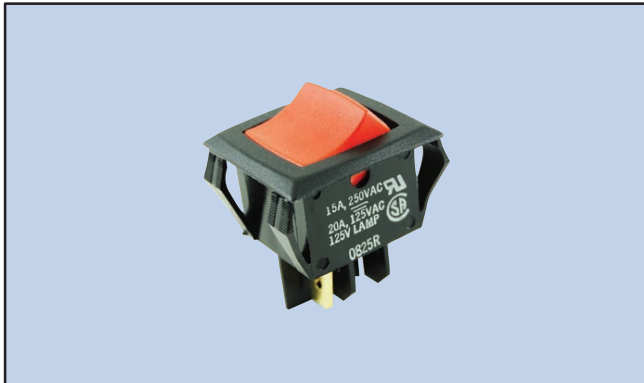
- Current Rating:** 12A 125VAC, 8A 250VAC, 1/2 HP 125-250VAC
- Lamp Voltage:** 125V Neon
- Insulation Resistance:** 50 Megohms (min.)
- Dielectric Strength:** 1500V RMS (min.)
- Temperature Rating:** +32° to +185°F (0° to +85°C)
- Electrical Life:** 50,000 cycles
- Mechanical Life:** 100,000 cycles
- Terminal Type:** .187" Tab Q.C.
- Mounting Hole:** See Table 1

Miniature Snap-In Nylon



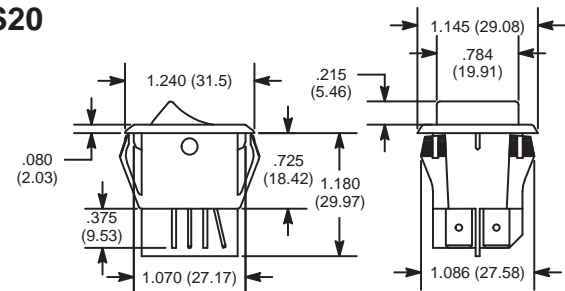
Features

- Double Pole
- .250" Quick Connect Terminals
- High Inrush Capability



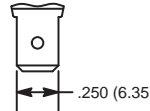
NTE Type No.	Circuitry	Action			Actuator	Lens Color	Diag No.
54-082	DPST	OFF	NONE	ON	Translucent Nylon	Red	S20b

S20

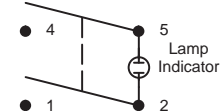


Terminal Types

b: .250" Tab (Q.C.)



Wiring Diagram



Specifications

- Current Rating:** 20A 125VAC, 15A 250VAC
- Lamp Voltage:** 125V Neon
- Insulation Resistance:** 100 Megohms (min.)
- Dielectric Strength:** 1000V RMS (min.)
- Temperature Rating:** +32° to +185°F (0° to +85°C)
- Electrical Life:** 50,000 cycles
- Mechanical Life:** 100,000 cycles
- Terminal Type:** .250" Tab Q.C.
- Mounting Hole:** 1.125 (28.58) x 1.000 (25.4)

Illuminated Rocker Switches

Snap-In Nylon



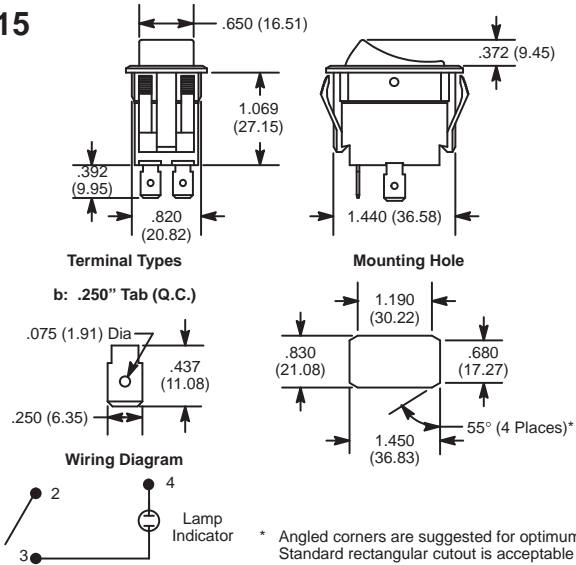
Features

- AC Rated, Also Suitable for Low Voltage DC Applications



NTE Type No.	Circuitry	Action			Actuator		Lens Color	Diag No.
					Material	Color		
54-029	SPST	ON	NONE	OFF	Nylon	White	Green	S15b
54-053	SPST	ON	NONE	OFF	Nylon	Black	Amber	S15b

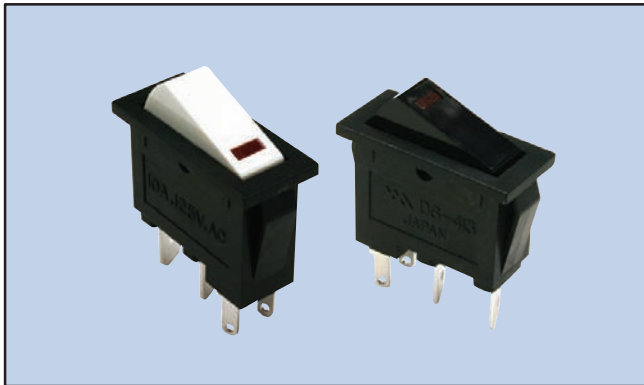
S15



Specifications

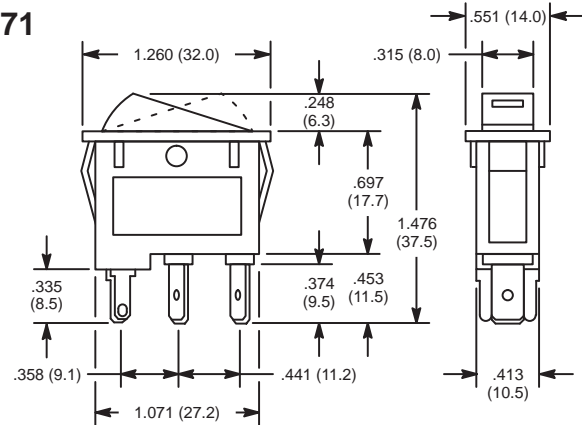
Current Rating: 15A 125VAC, 10A 250VAC, 1/2 HP 125-250VAC
Lamp Voltage: 125V Neon (54-053), 18V Incandescent (54-029)
Insulation Resistance: 100 Megohms (min.)
Dielectric Strength: 1000V RMS (min.)
Temperature Rating: +32° to +185°F (0° to +85°C)
Electrical Life: 50,000 cycles
Mechanical Life: 100,000 cycles
Terminal Type: .250" Tab Q.C.
Mounting Hole: 1.450 (36.83) x .830 (21.08)

Snap-In Slimline



NTE Type No.	Circuitry	Action			Actuator		Lens Color	Diag No.
					Material	Color		
54-386	SPST	ON	NONE	OFF	Polycarbonate	White	Red	S71
54-387	SPST	ON	NONE	OFF	Polycarbonate	Black	Red	S71

S71



Specifications

Current Rating: 10A 125VAC
Lamp Voltage: 2.1V LED
Insulation Resistance: 100 Megohms (min.) at 500VDC
Dielectric Strength: 1000V RMS (min.)
Temperature Rating: +14° to +131°F (-10° to +55°C)
Electrical Life: 20,000 cycles
Mechanical Life: 30,000 cycles
Terminal Type: .250" Tab Q.C.
Mounting Hole: 1.189 (30.2) x .433 (11.0)

Illuminated Rocker Switches

Snap-In Round Hole



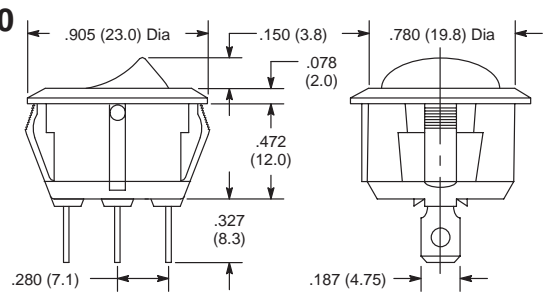
Features

- AC and DC Types

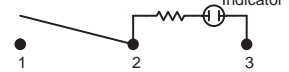


NTE Type No.	Circuitry	Action			Actuator			Diag No.	
					Material	Color			
						Neon	LED		Vltg
54-506	SPST	ON	NONE	OFF	Nylon	Red	-	AC	S90
54-532	SPST	ON	NONE	OFF	Nylon	Amber	-	AC	S90
54-533	SPST	ON	NONE	OFF	Nylon	Green	-	AC	S90
54-534	SPST	ON	NONE	OFF	Nylon	-	Red	DC	S90
54-535	SPST	ON	NONE	OFF	Nylon	-	Amber	DC	S90
54-536	SPST	ON	NONE	OFF	Nylon	-	Green	DC	S90
54-537	SPST	ON	NONE	OFF	Nylon	-	Blue	DC	S90

S90



Wiring Diagram



Specifications

- Current Rating:** 16A 125VAC, 10A 250VAC
- Lamp Voltage:** 110V Neon (AC) & 2V @ 20mA* LED (DC)
- Insulation Resistance:** 100 Megohms (min.) at 500VDC
- Dielectric Strength:** 1500V RMS (min.)
- Temperature Rating:** -4° to +149°F (-20° to +65°C)
- Electrical Life:** 6000 cycles (min.)
- Mechanical Life:** 100,000 cycles (min.)
- Terminal Type:** .187" Tab Q.C.
- Mounting Hole:** .795 (20.2)

* Resistor needed for other voltages.

Snap-In Round Hole



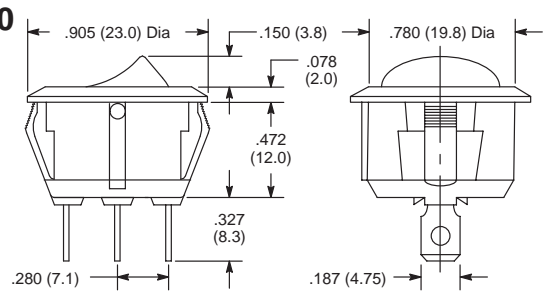
Features

- Waterproof Types Available on Page 166



NTE Type No.	Circuitry	Action			Actuator			Diag No.
					Material	Color		
						Neon	LED	
54-525	SPST	ON	NONE	OFF	Nylon	Amber	AC	S90
54-526	SPST	ON	NONE	OFF	Nylon	Green	AC	S90
54-527	SPST	ON	NONE	OFF	Nylon	Red	DC	S90
54-528	SPST	ON	NONE	OFF	Nylon	Amber	DC	S90
54-529	SPST	ON	NONE	OFF	Nylon	Green	DC	S90
54-530	SPST	ON	NONE	OFF	Nylon	Blue	DC	S90
54-531	SPST	ON	NONE	OFF	Nylon	Red	AC	S90

S90



Wiring Diagram



Specifications

- Current Rating:** 16A 125VAC, 10A 250VAC
- Lamp Voltage:** 110V (AC) Neon, 12V (DC) Incandescent
- Insulation Resistance:** 100 Megohms (min.) at 500VDC
- Dielectric Strength:** 1500V RMS (min.)
- Temperature Rating:** -4° to +149°F (-20° to +65°C)
- Electrical Life:** 6000 cycles (min.)
- Mechanical Life:** 100,000 cycles (min.)
- Terminal Type:** .187" Tab Q.C.
- Mounting Hole:** .795 (20.2)

Illuminated Rocker Switches

Round Hole

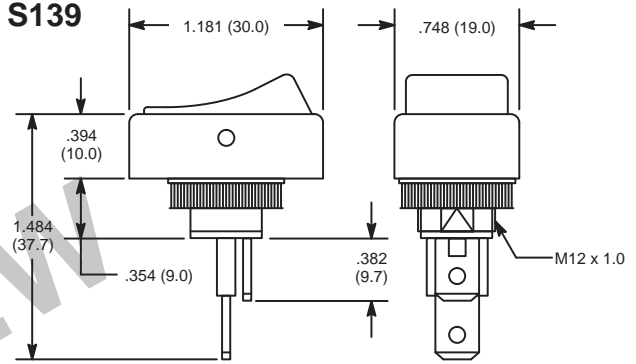
Features

- Illuminated LED Indicator



NTE Type No.	Circuitry	Action			Actuator			Diag No.	
					Material	Color			
		ON	NONE	OFF		Neon	LED	Vltg	
54-709-R	SPST	ON	NONE	OFF	Nylon	-	Red	DC	S139
54-709-G	SPST	ON	NONE	OFF	Nylon	-	Green	DC	S139

S139



Wiring Diagram



Specifications

Current Rating: 25A 12VDC
Lamp Voltage: 12V LED (DC)
Insulation Resistance: 100 Megohms (min.) at 500VDC
Dielectric Strength: 1500V RMS (min.)
Temperature Rating: -4° to +185°F (-20° to +85°C)
Electrical Life: 6000 cycles
Mechanical Life: 10000 cycles
Terminal Type: .250" Tab Q.C.
Mounting Hole: .480 (12.2)

Round Hole

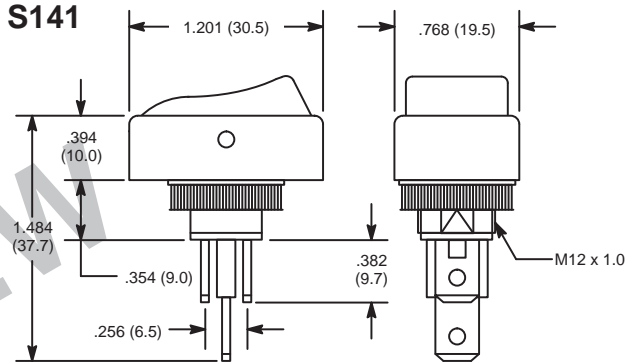
Features

- Illuminated LED Indicator



NTE Type No.	Circuitry	Action			Actuator			Diag No.	
					Material	Color			
		ON	NONE	OFF		Neon	LED	Vltg	
54-711	SPST	ON	NONE	OFF	Nylon	-	Red	DC	S141

S141



Wiring Diagram



Specifications

Current Rating: 30A 12VDC
Lamp Voltage: 12V LED (DC)
Insulation Resistance: 100 Megohms (min.) at 500VDC
Dielectric Strength: 1500V RMS (min.)
Temperature Rating: -13° to +185°F (-25° to +85°C)
Electrical Life: 6000 cycles
Mechanical Life: 10000 cycles
Terminal Type: .250" Tab Q.C.
Mounting Hole: .480 (12.2)

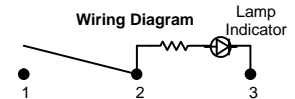
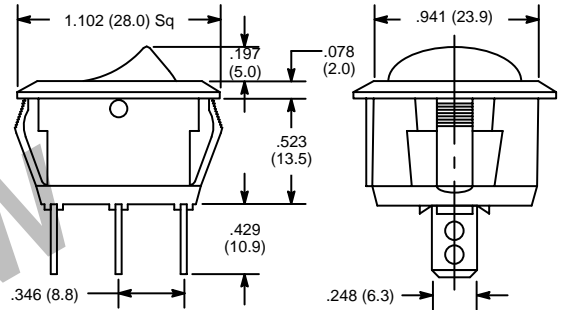
Illuminated Rocker Switches

Snap-In Round Hole



NTE Type No.	Circuitry	Action			Actuator				Diag No.
					Material	Color		Vltg	
						Neon	LED		
54-734	SPST	ON	NONE	OFF	Nylon	-	Red	DC	S144

S144



Specifications

Current Rating: 25A 12VDC
Lamp Voltage: 12V LED (DC)
Insulation Resistance: 100 Megohms (min.) at 500VDC
Dielectric Strength: 1500V RMS (min.)
Temperature Rating: -4° to +149°F (-20° to +65°C)
Electrical Life: 6000 cycles
Mechanical Life: 10000 cycles
Terminal Type: .250" Tab Q.C.
Mounting Hole: .945 (24.0)

Round Hole, Square Bezel

Features

- Circuit Contains Illuminated Indicator
- Single Pole

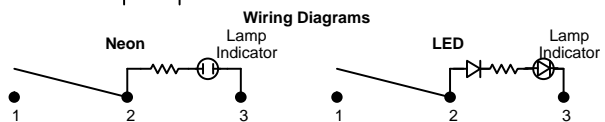
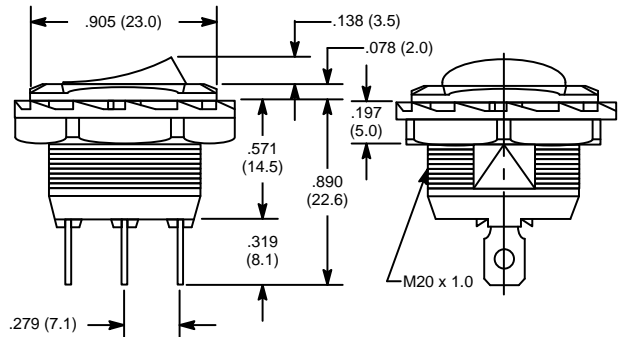


NTE Type No.	Circuitry	Action			Actuator				Diag No.
					Material	Color		Vltg	
						Neon	LED		
54-513	SPST	ON	NONE	OFF	Nylon	Red	-	AC	S93
54-549	SPST	ON	NONE	OFF	Nylon	Amber	-	AC	S93
54-550	SPST	ON	NONE	OFF	Nylon	Green	-	AC	S93
54-712	SPST	ON	NONE	OFF	Nylon	-	Red	DC	S93

NEW

NOTE: 54-712 is not UL

S93



Specifications

Current Rating: 16A 125VAC, 10A 250VAC
 20A 12VDC (54-712 Only)
Lamp Voltage: 110V Neon (AC), 12V LED (DC)
Insulation Resistance: 100 Megohms (min.) at 500VDC
Dielectric Strength: 1500V RMS (min.)
Temperature Rating: -4° to +149°F (-20° to +65°C)
Electrical Life: 6000 cycles (min.)
Mechanical Life: 100,000 cycles (min.)
Terminal Type: .187" Tab Q.C.
Mounting Hole: .795 (20.2)

Illuminated Rocker Switches

Round Hole, Square Bezel

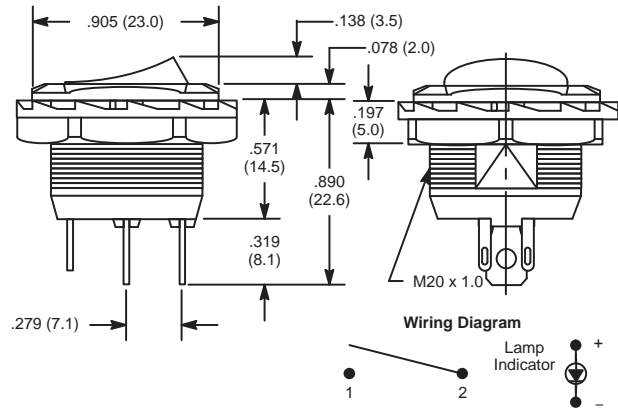
Features

- Independent, Illuminated LED Indicator
- Single Pole



NTE Type No.	Circuitry	Action			Actuator		Diag No.
					Material	LED Color	
54-551	SPST	ON	NONE	OFF	Nylon	Red	S118
54-552	SPST	ON	NONE	OFF	Nylon	Amber	S118
54-553	SPST	ON	NONE	OFF	Nylon	Green	S118
54-554	SPST	ON	NONE	OFF	Nylon	Blue	S118

S118



Specifications

Current Rating: 16A 125VAC, 10A 250VAC
Lamp Voltage: 3V LED
Insulation Resistance: 100 Megohms (min.) at 500VDC
Dielectric Strength: 1500V RMS (min.)
Temperature Rating: -4° to +149°F (-20° to +65°C)
Electrical Life: 6000 cycles (min.)
Mechanical Life: 100,000 cycles (min.)
Terminal Type: .187" Tab Q.C.
Mounting Hole: .795 (20.2)

Round Hole, Square Bezel

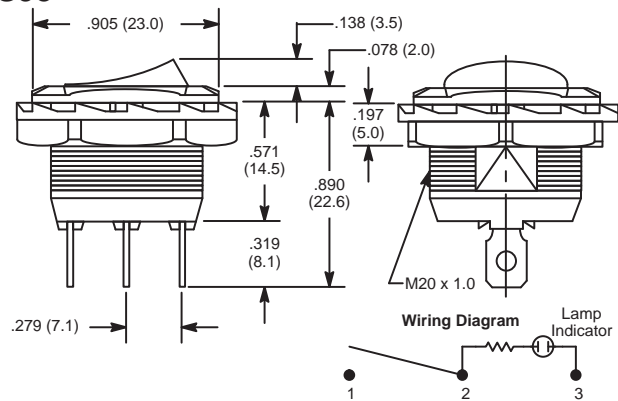
Features

- Illuminated LED Indicator



NTE Type No.	Circuitry	Action			Actuator				Diag No.
					Material	Color		Vltg	
						Neon	LED		
54-645	SPST	ON	NONE	OFF	Nylon	-	Red	DC	S93
54-645-A	SPST	ON	NONE	OFF	Nylon	-	Amber	DC	S93
54-645-G	SPST	ON	NONE	OFF	Nylon	-	Green	DC	S93
54-645-B	SPST	ON	NONE	OFF	Nylon	-	Blue	DC	S93

S93



Specifications

Current Rating: 20A 12VDC
Lamp Voltage: 2V @ 20mA LED (DC)
Insulation Resistance: 100 Megohms (min.) at 500VDC
Dielectric Strength: 1500V RMS (min.)
Temperature Rating: -13° to +185°F (-25° to +85°C)
Electrical Life: 6000 cycles (min.)
Mechanical Life: 100,000 cycles (min.)
Terminal Type: .187" Tab Q.C.
Mounting Hole: .795 (20.2)

Illuminated Rocker Switches

Snap-In Paddle Handle



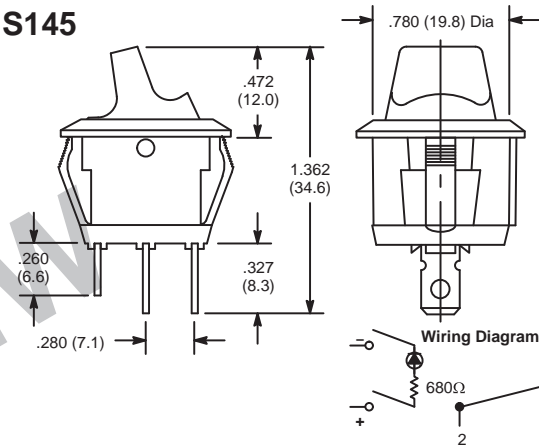
Features

- Snap-In Mounting, Easy to Install Switch into Panel
- Actuator: Black, Nylon #66
- .187" Quick Connect Terminals



NTE Type No.	Circuitry	Action			Actuator			Diag No.	
					Material	Color	Vltg		
		ON	NONE	OFF		Neon	LED		
54-740	SPST	ON	NONE	OFF	Nylon	-	Red	DC	S145

S145



Specifications

Current Rating: 20A 14VDC
Lamp Voltage: 12V LED (DC)
Insulation Resistance: 100 Megohms (min.) at 500VDC
Dielectric Strength: 1500V RMS (min.)
Temperature Rating: -13° to +185°F (-25° to +85°C)
Electrical Life: 6000 cycles
Mechanical Life: 10000 cycles
Terminal Type: .187" Tab Q.C.
Mounting Hole: .795 (20.2)

Single & Dual Color



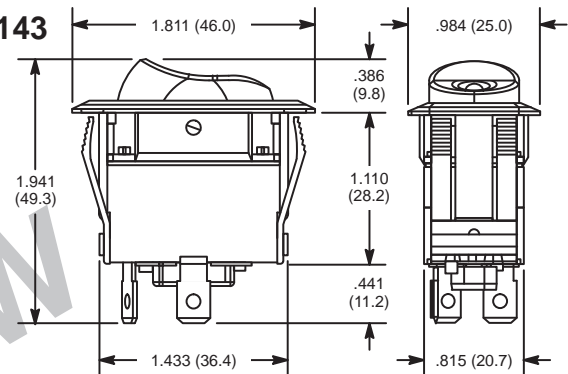
Features

- Single and Dual Color Types
- Actuator: Black, Nylon #66
- .250" Quick Connect Terminals



NTE Type No.	Circuitry	Current Rating	Action			Actuator Color		Diag No.
						Neon	LED	
			ON	NONE	OFF			
54-736-1	SPST	A	ON	NONE	OFF	-	Green	S143
54-736-2	SPST	B	ON	NONE	OFF	-	Green	S143
54-737-1	SPST	C	ON	OFF	ON	-	Green/Red	S143
54-737-2	SPDT	A	ON	OFF	ON	-	Green/Red	S143

S143



Specifications

Current Rating:
A: 16A 125VAC 3/4 HP, 16(4)A 125VAC
B: 21A 14VDC
C: 20A 12VDC, 10A 24VDC
Lamp Voltage: 12V LED; 110V LED (54-737-2 ONLY)
Insulation Resistance: 100 Megohms (min.) at 500VDC
Dielectric Strength: 1500V RMS (min.)
Temperature Rating: -4° to +185°F (-20° to +85°C)
Electrical Life: 6000 cycles
Mechanical Life: 10000 cycles
Terminal Type: .250" Tab Q.C.
Mounting Hole: 1.457 (37.0) x .835 (21.2)

Lamp Circuit Diagrams

