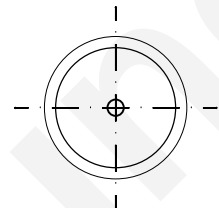
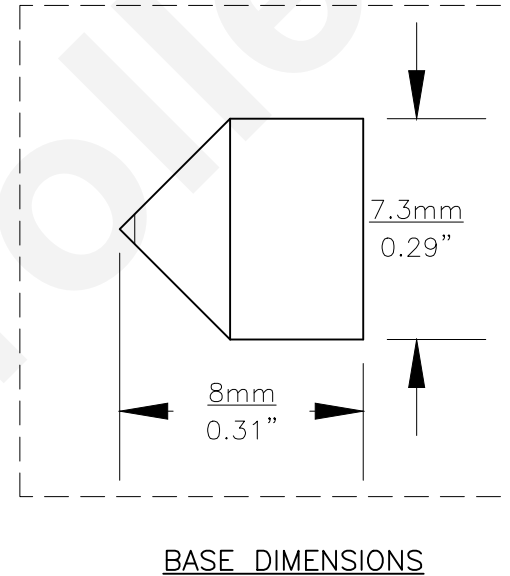
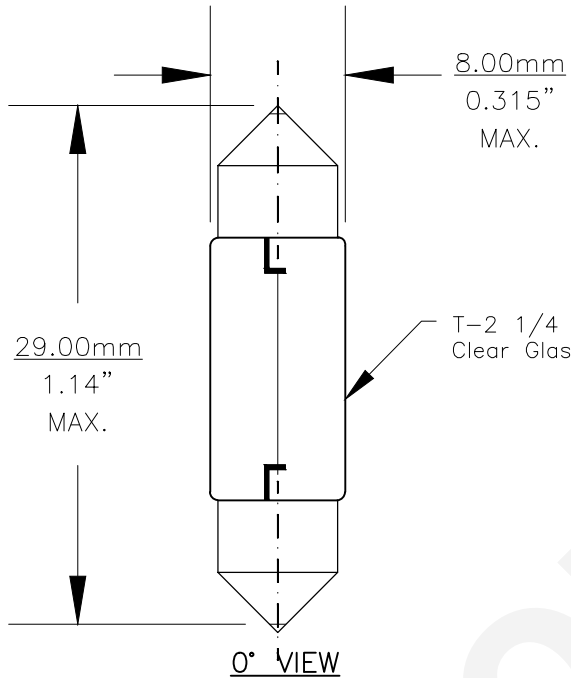




PART NO.	BASE TYPE	DESIGN VOLTS	DESIGN AMPS	MSCD	FILAMENT TYPE	AVERAGE LIFE HOURS	REVISIONS			
							REV #	DESCRIPTION	DATE	APPROVED
3022	FESTOON CAP	13.0V	0.38±15%	3.0±30%	C-8	300	1	ISSUED	06/22/2001	E.S.
							2	REDRAWN	05/05/2005	D.C.



T-2 1/4 BULB SHAPE
Clear Glass



Note: Made according to SAE specifications

UNLESS OTHERWISE SPECIFIED: DIMENSIONS ARE IN INCHES TOLERANCES		CEC INDUSTRIES LTD			
DECIMALS .XX ± .05		599 BOND STREET		LINCOLNSHIRE, IL 60069	
ANGULAR .XXX ± .010		TITLE LIGHT BULB NO. 3022			
FRACTIONAL ± 1/64		DATE 06/22/2001	SIZE A	DWG NO. 3022	REV 2
DRAWN ELIZABETH SONANES	CHECKED	DESIGN	SCALE	PLOT SCALE	SHEET 1 OF 1
MATERIAL		FILE 3022.pdf	DRAWING NOT TO SCALE		