

Ratings

Temperature: -40 ~ 70 °C
 Voltage: 150 V

Conductor

Gauge: 26 AWG, 0.13 mm²
 Material: tinned copper strands
 Stranding: ϕ 0.08 x 26
 Resistance at 20 °C: 150 Ω /km max

Insulator

Material: HDPE
 Color: black, white, red
 Outer diameter: ϕ 0.9 \pm 0.10 mm
 Nominal thickness: 0.20 mm
 Resistance at 20 °C: 1000 M Ω /km min

Shield

Type: spiral
 Material: tinned copper strands
 Strand size: ϕ 0.08 mm
 Coverage: 90 % minimum

Outer jacket

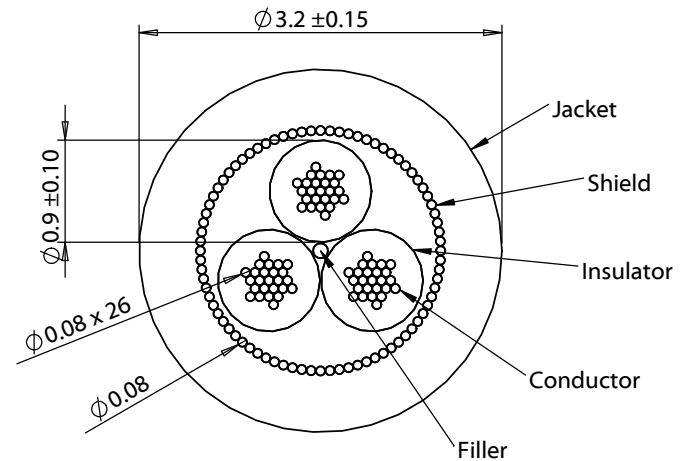
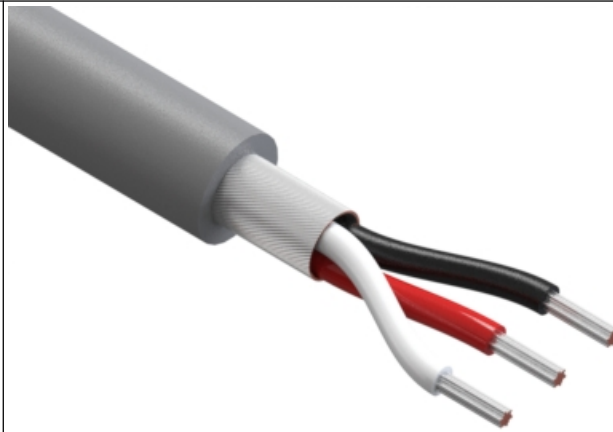
Material: TPU, 70 °C
 Color: cool gray 9C
 Nominal thickness: 0.50 mm
 Diameter: ϕ 3.2 \pm 0.15 mm

Filler

Material: aramid fiber

Tests

Tensile strength: 35.7 kgf
 Dielectric test: 1500 V dc for 1 minute without breakdown
 Bend test at 200 g, \pm 90 °, 30 cycles /min: 15,000 cycle minimum



REVISION	DATE	DESCRIPTION
A	9/29/2015	Initial release
A1	1/13/2016	Updated notes, corrected tolerances
A2	1/17/2019	Changed filler material to generic name

PREPARED:
 VERIFIED:
 DIMENSIONS ARE IN MILLIMETERS
 TOLERANCES:
 X: \pm 0.5 mm
 X.X: \pm 0.3 mm
 X.XX: \pm 0.05 mm

NOTES
 RoHS and REACH compliant
 Jacket meets ISO 10993 biological compatibility
 Phthalate and halogen free
 Function test: no open, no short, no intermittent
 DESCRIPTION:
 Wire, 3C TS, 26 AWG, 150V, 70C, 3.2 mm, spiral shield, TPU, gray

TENSILITY
 20802 Sockeye Place #130
 Bend, OR 97701 USA
 tel 541.323.3228 fax 541.323.4202
 800 877.670.7118 www.tensility.com

SIZE	PART NUMBER
A	30-00457

SCALE: 1:1 SHEET 1 OF 1