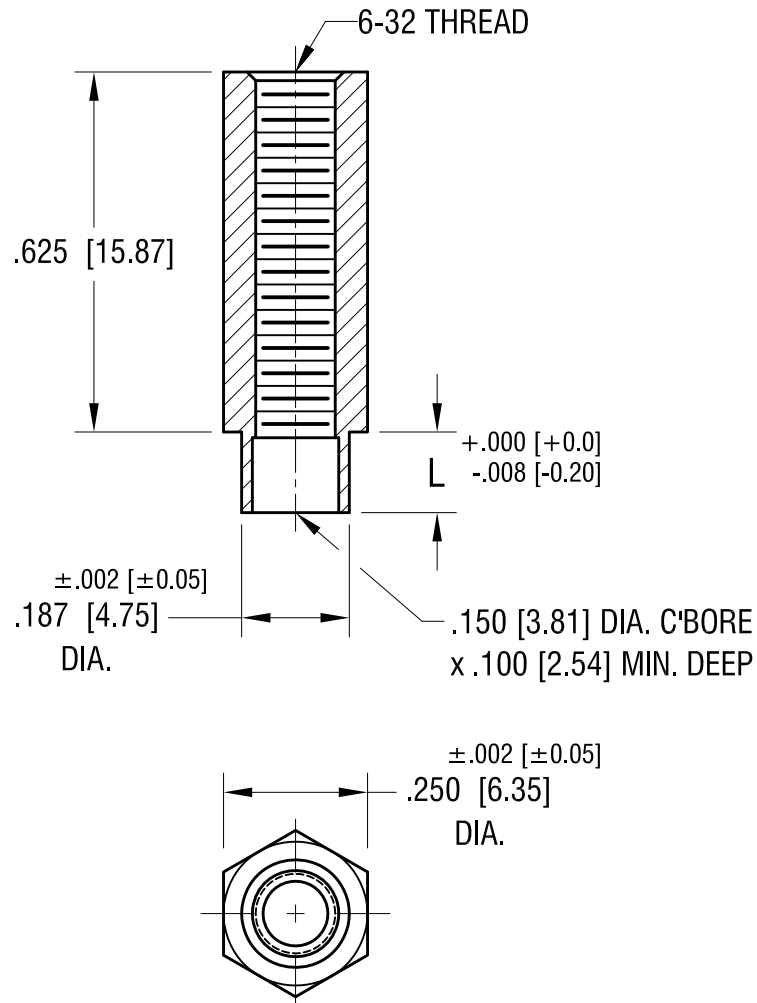


THIS DOCUMENT IS THE PROPERTY OF
KEYSTONE ELECTRONICS CORP. AND
SHALL NOT BE REPRODUCED, DISTRIBUTED
OR USED AS A BASIS FOR MANUFACTURE
WITHOUT PRIOR WRITTEN PERMISSION
FROM KEYSTONE ELECTRONICS CORP.

ACTUAL SIZE



P/N 1759-2



PART NO.	'L' DIM.
1759-2	.109 [2.77]
1759-3	.140 [3.56]
1759-4	.171 [4.34]

KEYSTONE ELECTRONICS CORP.
www.keyelco.com • NEW HYDE PARK NY 11040 • Tel (516)328-7500

PART NAME
SWAGE THREADED STANDOFF

MATERIAL
BRASS

FINISH DUCTILE NICKEL PLATE	DRN BY BOONE	DATE 8.28.97
	APP'D LN	SCALE 3X

TOLERANCES INCH [MM]
DECIMAL $\pm .005 [\pm 0.13]$

ANGULAR $\pm 1^\circ$
UNLESS OTHERWISE SPECIFIED

CODE
C

DWG NO.
1759-

DATE	DESCRIPTION	REV.
11.22.21	CHANGE AS PER ECN 21-175	B
5.16.02	CHANGE AS PER ECN 02-050	A