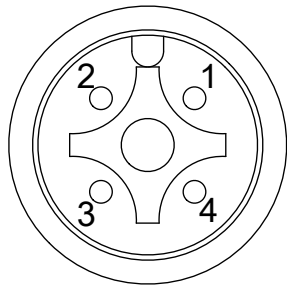


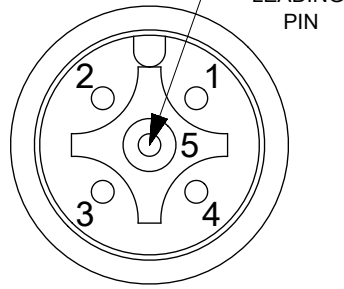
### M12 4 POLE MALE



VIEW FROM THE FRONT SIDE

Pin	Wire color
1	BROWN
2	WHITE
3	BLUE
4	BLACK

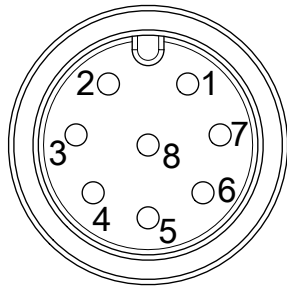
### M12 5 POLE MALE



VIEW FROM THE FRONT SIDE

Pin	Wire color
1	BROWN
2	WHITE
3	BLUE
4	BLACK
5	GREY

### M12 8 POLE MALE

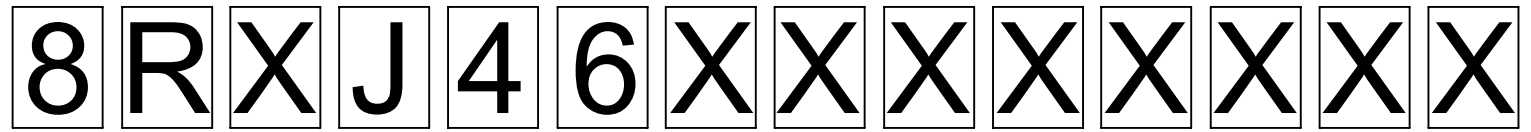


VIEW FROM THE FRONT SIDE

Pin	Wire color
1	WHITE
2	BROWN
3	GREEN
4	YELLOW
5	GREY
6	PINK
7	BLUE
8	RED

## ENGINEERING No. - NUMERICAL CODE

(Available parts see PART LIST table. Others parts available upon request)



8R = Receptacle M12

Poles:  
4 = 4 Poles  
5 = 5 Poles  
8 = 8 Poles

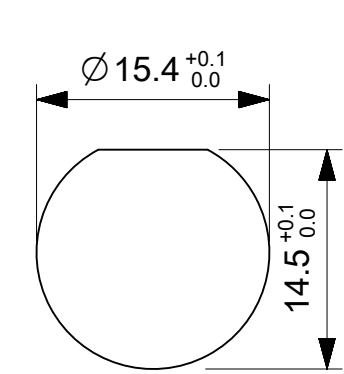
Shell type

Wires:  
E03 = 22AWG PVC  
E02 = 24AWG PVC  
A16 = 18AWG PVC

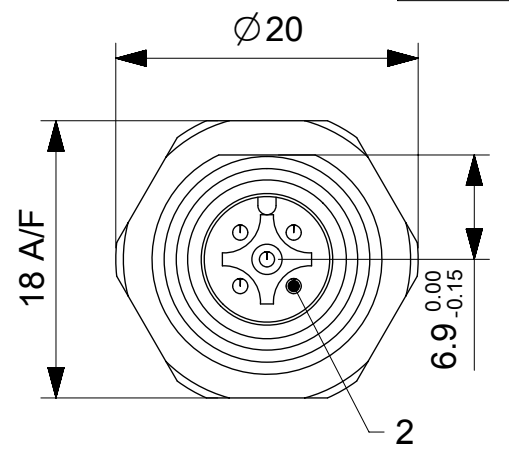
Units:  
C = Centimeters  
M = Meters

Length  
Examples:  
005 = 0.5 units  
010 = 1 units  
100 = 10 units

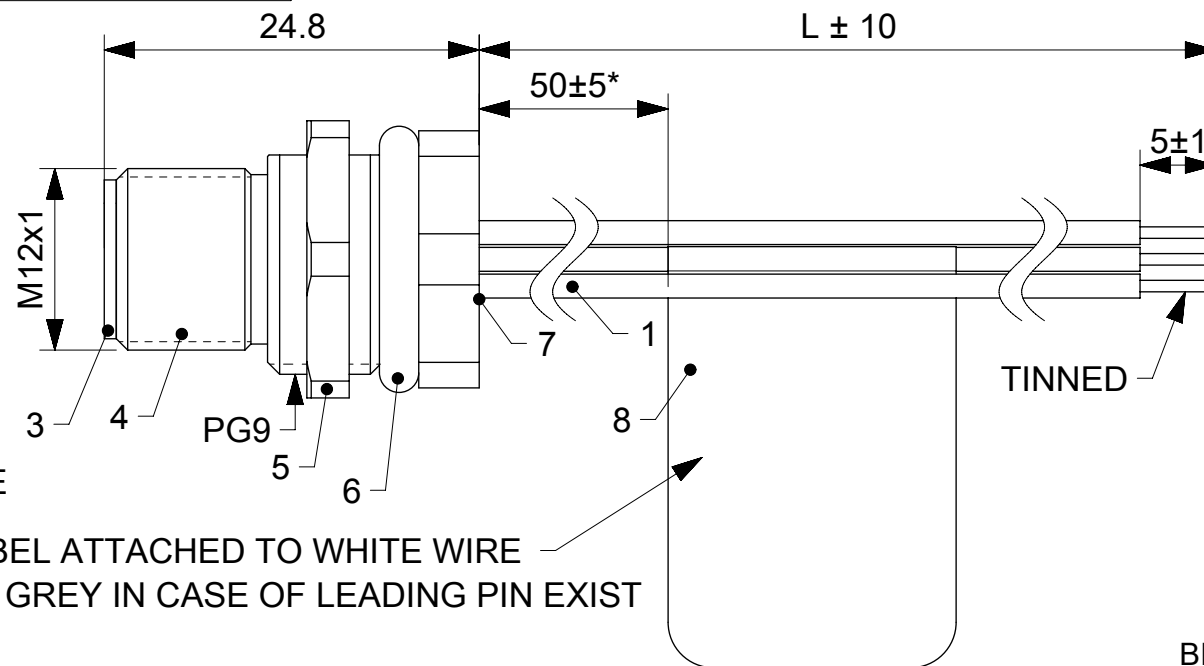
Shell material:  
blank, 3 = Standard,  
Brass Nickel plated



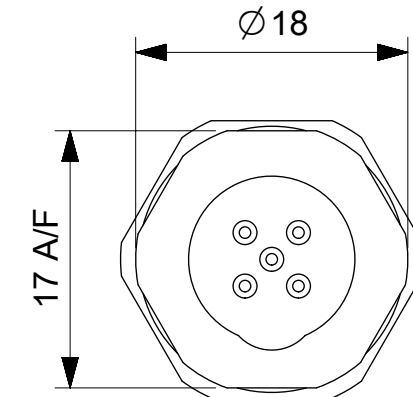
PANEL CUT OUT



VIEW FROM THE FRONT SIDE



LABEL ATTACHED TO WHITE WIRE  
OR GREY IN CASE OF LEADING PIN EXIST



VIEW FROM THE WIRES SIDE

\*10±2 FOR 1200708324

### PART LIST

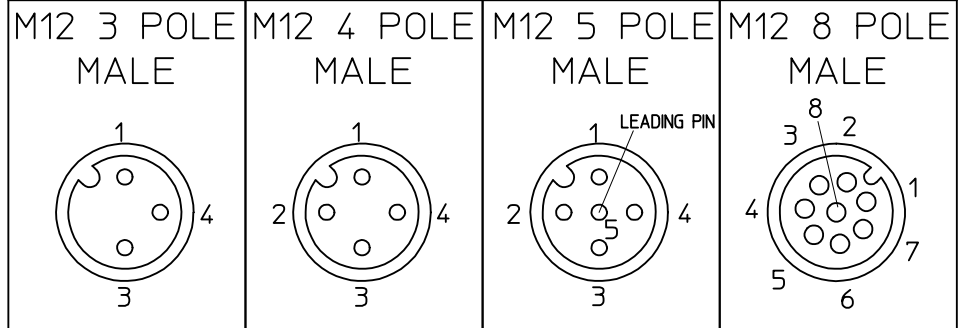
Molex PN	Engineering No.	L [mm]
1200708324	8R4J46E02C040	40
1200705169	8R4J46E03C200	200
1200704002	8R4J46E03C3003	300
1200708121	8R4J46E03M0153	1500
1200708266	8R5J46E02C200	200
1200708205	8R5J46E02C3003	300
1200700234	8R5J46E03C3003	300
1200705181	8R8J46E02C200	200
1200700278	8R8J46E02C3003	300
1200110622	8R8J46E02M0153	1500
1200708073	8R8J46E02M015	1500

### BILL OF MATERIALS

ITEM	QTY.	DESCRIPTION	MATERIAL	FINISH
7	-	POTTING MATERIAL	WEVO	-
6	1	O-RING	NBR	-
5	1	LOCKNUT PG9	BRASS	Ni
4	1	SHELL M12x1 PG9	BRASS	Ni
3	1	INSERT 4P/5P/8P BK	ELASTOLLAN	-
2	4/5/8	CONTACT MALE	BRASS	Au
1	-	WIRE 22/24 AWG UL1569	PVC	-

<b>SYMBOLS</b> THIS DRAWING CONTAINS INFORMATION THAT IS PROPRIETARY TO MOLEX ELECTRONIC TECHNOLOGIES, LLC AND SHOULD NOT BE USED WITHOUT WRITTEN PERMISSION DIMENSION UNITS: mm SCALE: 2:1 GENERAL TOLERANCES (UNLESS SPECIFIED): ANGULAR TOL ± 1.0° 4 PLACES ± 3 PLACES ± 2 PLACES ± 0.05 1 PLACE ± 0.3 0 PLACES ± 0.5 DRAFT WHERE APPLICABLE MUST REMAIN WITHIN DIMENSIONS THIRD ANGLE PROJECTION DRAWING: A3-SIZE SERIES: 120070	CURRENT REV DESC: EC NO: 617554 DRWN: MKOWALCZYK01 2019/05/20 CHK'D: DSTACHOWIAK 2019/05/20 APPR: DSTACHOWIAK 2019/05/20 INITIAL REVISION: DRWN: KKALICIAK 2016/09/09 APPR: MIWASIECZKO 2016/11/04	 REC M12 XP AC MA PVC XM PG9 BM PRODUCT CUSTOMER DRAWING DOCUMENT NUMBER: 1200708205 DOC TYPE: PSD DOC PART: 000 REVISION: A1 MATERIAL NUMBER: GENERAL MARKET CUSTOMER: GENERAL MARKET SHEET NUMBER: 1 OF 1
	DOCUMENT STATUS: P1 RELEASE DATE: 2019/05/20 10:07:15	

FACE VIEW



Pin	Kolor przew.	Wire color
1	BROWN	BN
2	-	-
3	BLUE	BU
4	BLACK	BK

Pin	Kolor przew.	Wire color
1	BROWN	BN
2	WHITE	WH
3	BLUE	BU
4	BLACK	BK

Pin	Kolor przew.	Wire color
1	BROWN	BN
2	WHITE	WH
3	BLUE	BU
4	BLACK	BK
5	GREY	GY

Pin	Kolor przew.	Wire color
1	WHITE	WH
2	BROWN	BN
3	GREEN	GN
4	YELLOW	YE
5	GREY	GY
6	PINK	PK
7	BLUE	BU
8	RED	RD

PN KEY / PART No MATRIX

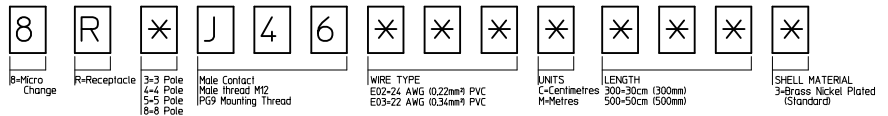
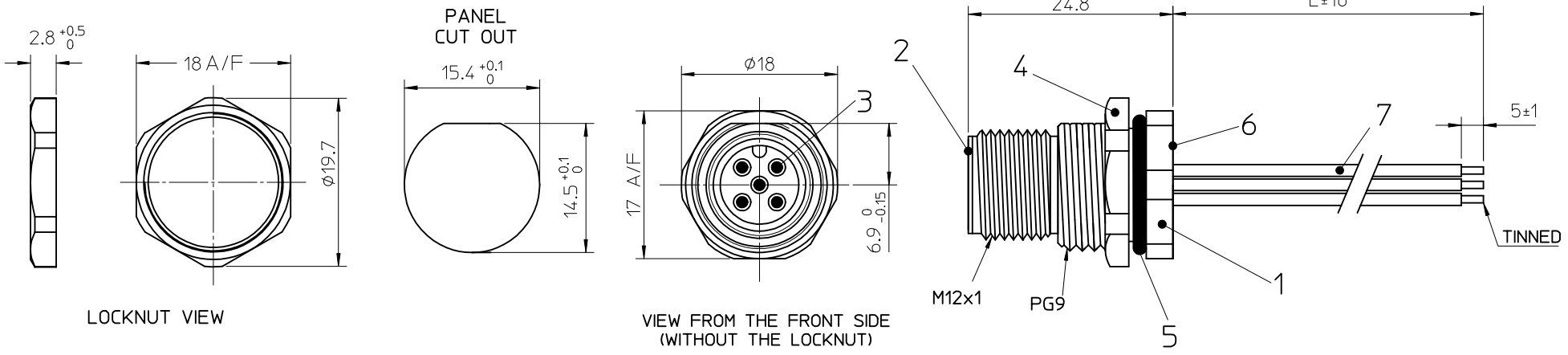


CHART 1

Molex PN	Engineering NO	L [mm]
1200708121	8R4J46E03M0153	1500
1200708205	8R5J46E02C3003	300
1200700234	8R5J46E03C3003	300
1200700278	8R8J46E02C3003	300
1200704002	8R4J46E03C3003	300



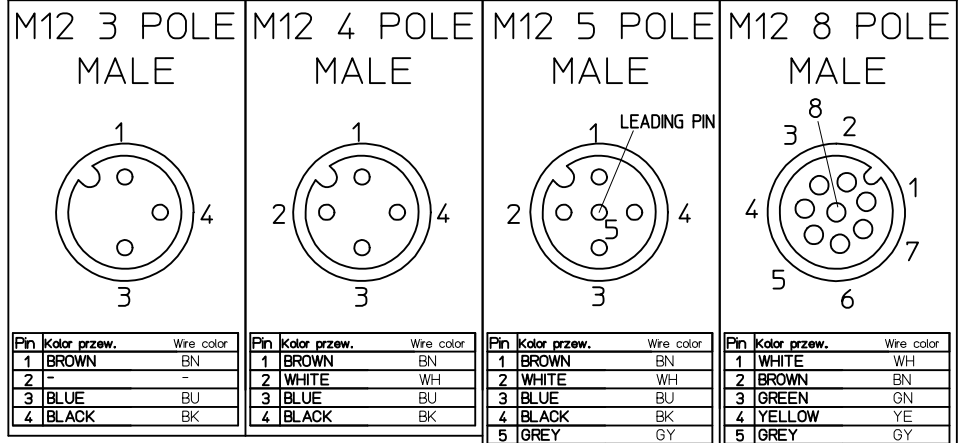
BILL OF MATERIAL

ITEM	QTY.	DESCRIPTION	MATERIAL	FINISH
7	-	WIRES	-	-
6	-	POTTING MATERIAL	WEVO	-
5	1	O-RING	NBR	-
4	1	LOCKNUT PG9	BRASS	NICKEL PLATED
3	-	CONTACT	-	-
2	1	M12 MALE INSERT	-	-
1	1	M12x1 PG9 SHELL	BRASS	NICKEL PLATED

K-WAY POSITION CHANGED EC NO: IPG2015-1714 DRW:FGAIK 2015/04/02 CHKD:JMARSZALEK 2015/04/03 APPR:MIWASIECZKO 2015/05/18	QUALITY SYMBOLS	GENERAL TOLERANCES (UNLESS SPECIFIED)	DIMENSION STYLE	SCALE	DESIGN UNITS	THIRD ANGLE PROJECTION	
	▽=0 ◻=0	mm INCH	MM ONLY	---	METRIC		
		4 PLACES ± --- ± --- 3 PLACES ± --- ± --- 2 PLACES ± 0.05 ± --- 1 PLACE ± 0.3 ± --- 0 PLACE ± 0.5 ± ---	DRAWN BY DATE FGAIK 2014/11/26	TITLE	REC M12 XP MA AC PG9 BM XM PVC		
		ANGULAR ± 1 ° DRAFT WHERE APPLICABLE MUST REMAIN WITHIN DIMENSIONS	CHECKED BY DATE JMARSZALEK 2015/02/09	APPROVED BY DATE MIWASIECZKO 2015/02/16	MATERIAL NO.	DOCUMENT NO.	SHEET NO.

SIZE	THIS DRAWING CONTAINS INFORMATION THAT IS PROPRIETARY TO MOLEX INCORPORATED AND SHOULD NOT BE USED WITHOUT WRITTEN PERMISSION
A3	

FACE VIEW



Pin	Kolor przew.	Wire color
1	BROWN	BN
2	-	-
3	BLUE	BU
4	BLACK	BK

Pin	Kolor przew.	Wire color
1	BROWN	BN
2	WHITE	WH
3	BLUE	BU
4	BLACK	BK

Pin	Kolor przew.	Wire color
1	BROWN	BN
2	WHITE	WH
3	BLUE	BU
4	BLACK	BK
5	GREY	GY

Pin	Kolor przew.	Wire color
1	WHITE	WH
2	BROWN	BN
3	GREEN	GN
4	YELLOW	YE
5	GREY	GY
6	PINK	PK
7	BLUE	BU
8	RED	RD

PN KEY / PART No MATRIX

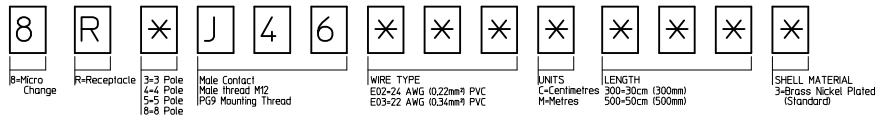
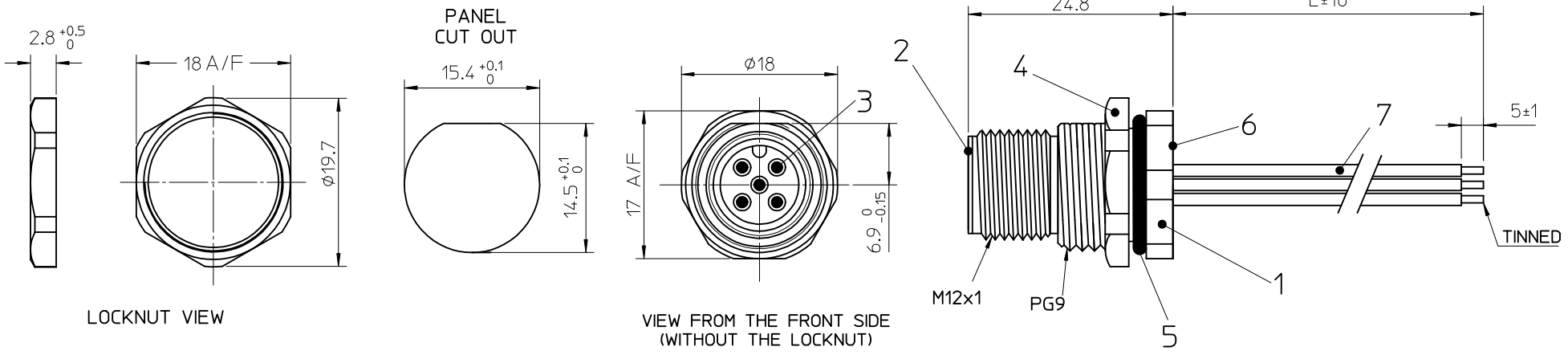


CHART 1

Molex PN	Engineering NO	L [mm]
1200708121	8R4J46E03M0153	1500
1200708205	8R5J46E02C3003	300
1200700234	8R5J46E03C3003	300
1200700278	8R8J46E02C3003	300
1200704002	8R4J46E03C3003	300



BILL OF MATERIAL

ITEM	QTY.	DESCRIPTION	MATERIAL	FINISH
7	-	WIRES	-	-
6	-	POTTING MATERIAL	WEVO	-
5	1	O-RING	NBR	-
4	1	LOCKNUT PG9	BRASS	NICKEL PLATED
3	-	CONTACT	-	-
2	1	M12 MALE INSERT	-	-
1	1	M12x1 PG9 SHELL	BRASS	NICKEL PLATED

K-WAY POSITION CHANGED EC NO: IPG2015-1714 DRW:FGAIK 2015/04/02 CHKD:JMARSZALEK 2015/04/03 APPR:MIWASIECZKO 2015/05/18	QUALITY SYMBOLS	GENERAL TOLERANCES (UNLESS SPECIFIED)	DIMENSION STYLE	SCALE	DESIGN UNITS	THIRD ANGLE PROJECTION	
	▽=0 ◻=0	mm INCH	MM ONLY	---	METRIC		
		4 PLACES ± --- ± --- 3 PLACES ± --- ± --- 2 PLACES ± 0.05 ± --- 1 PLACE ± 0.3 ± --- 0 PLACE ± 0.5 ± ---	DRAWN BY DATE FGAIK 2014/11/26	TITLE	REC M12 XP MA AC PG9 BM XM PVC		
		ANGULAR ± 1 ° DRAFT WHERE APPLICABLE MUST REMAIN WITHIN DIMENSIONS	CHECKED BY DATE JMARSZALEK 2015/02/09	APPROVED BY DATE MIWASIECZKO 2015/02/16	MATERIAL NO.	DOCUMENT NO.	SHEET NO.
A1	REV		SIZE A3	THIS DRAWING CONTAINS INFORMATION THAT IS PROPRIETARY TO MOLEX INCORPORATED AND SHOULD NOT BE USED WITHOUT WRITTEN PERMISSION			

SEE CHART 1	SD-120070-055	1 OF 1
-------------	---------------	--------