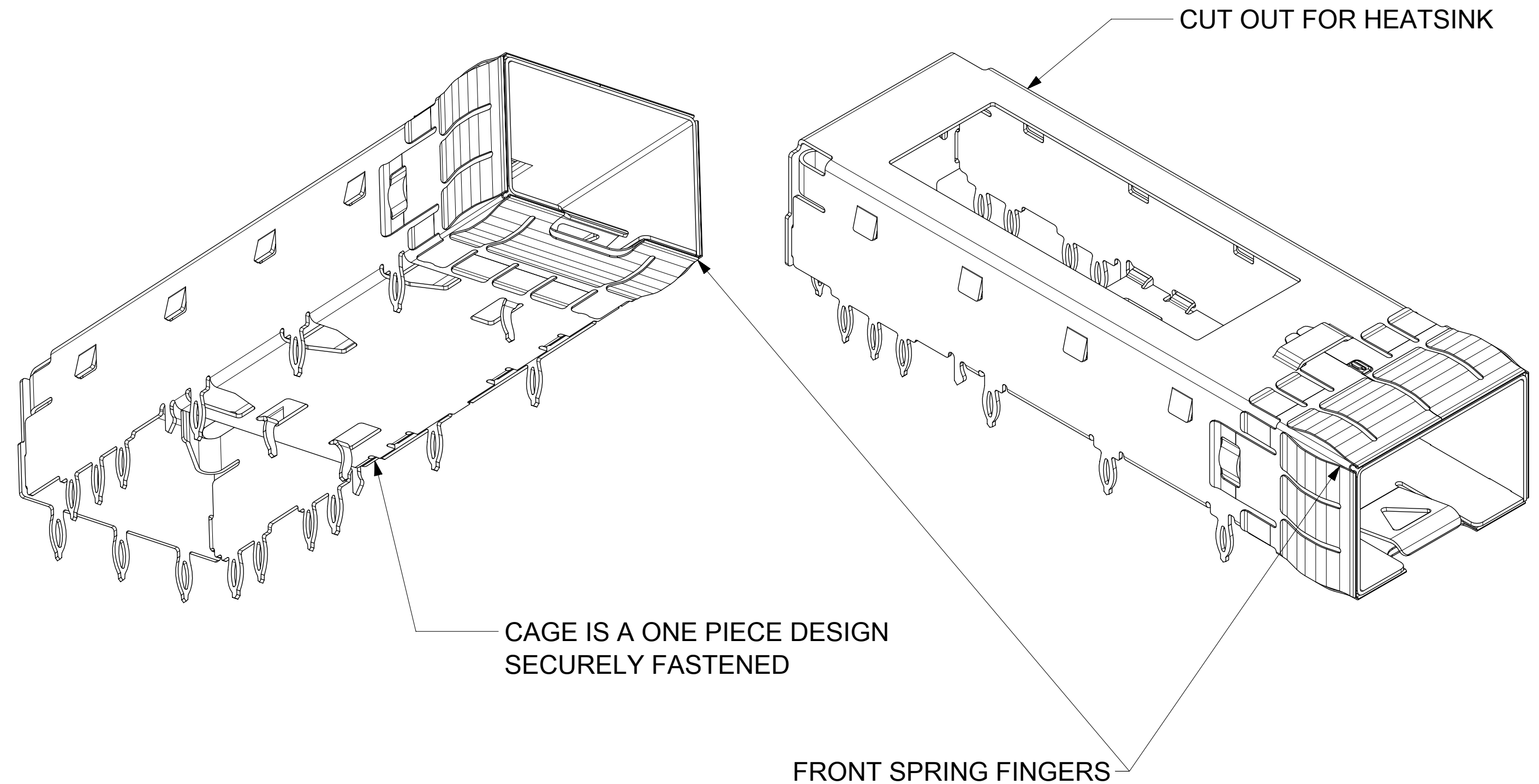
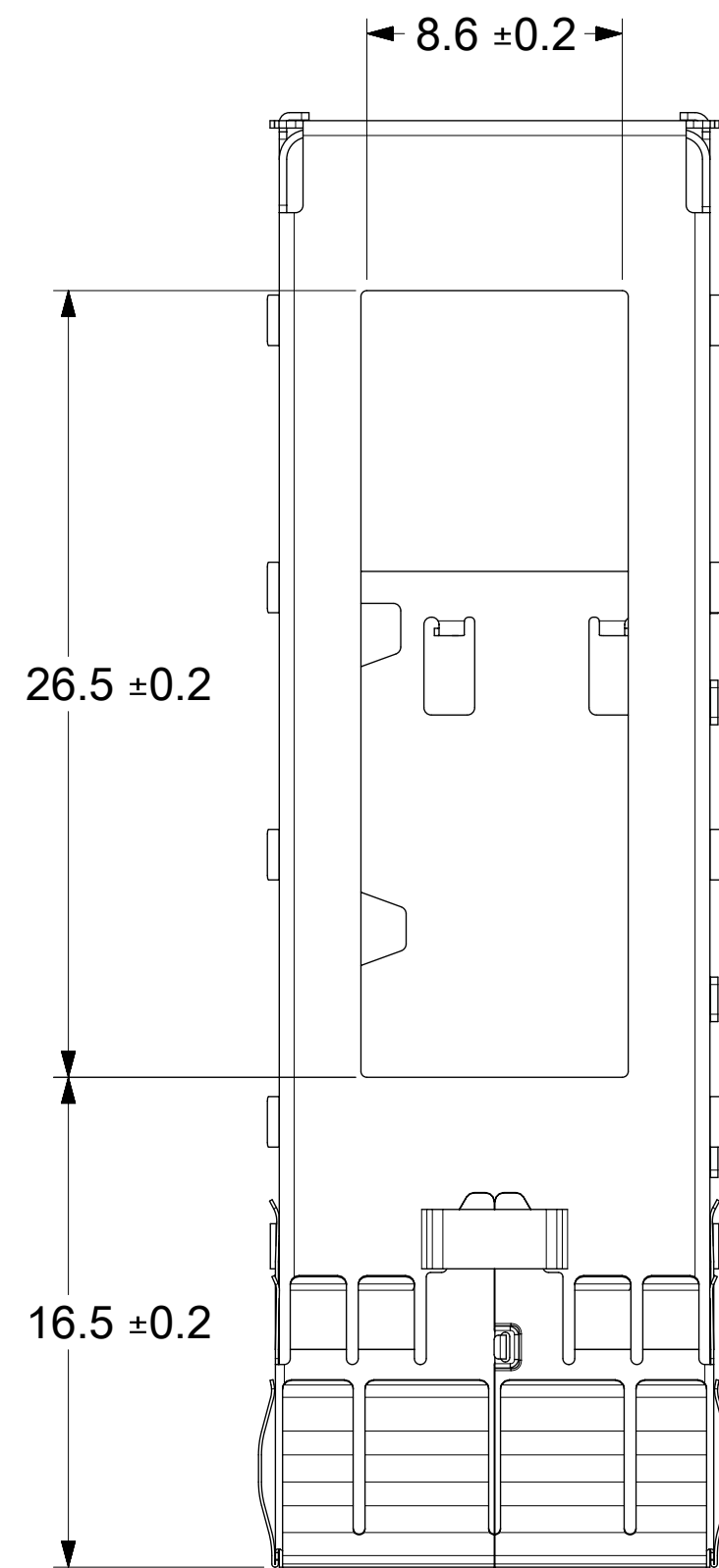
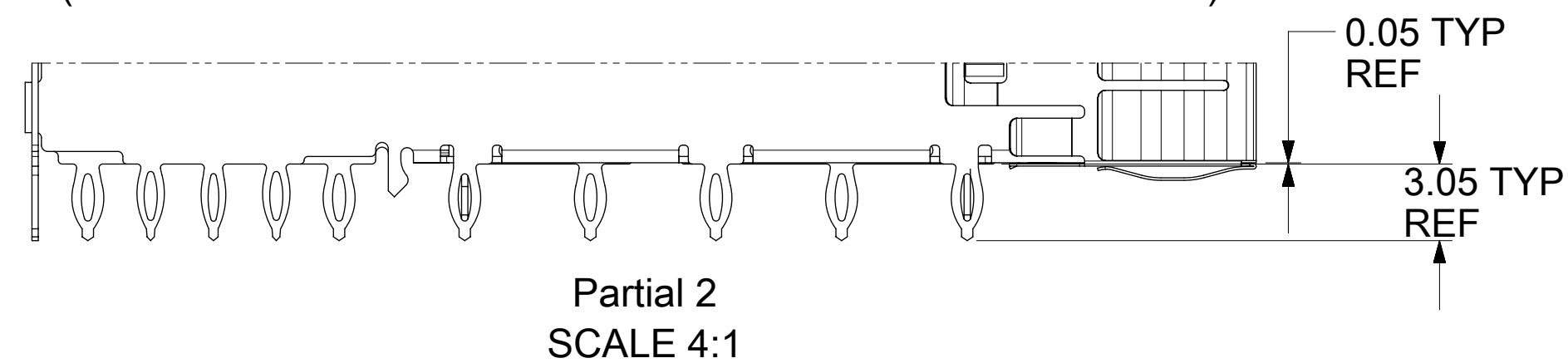


111128101 SHOWN

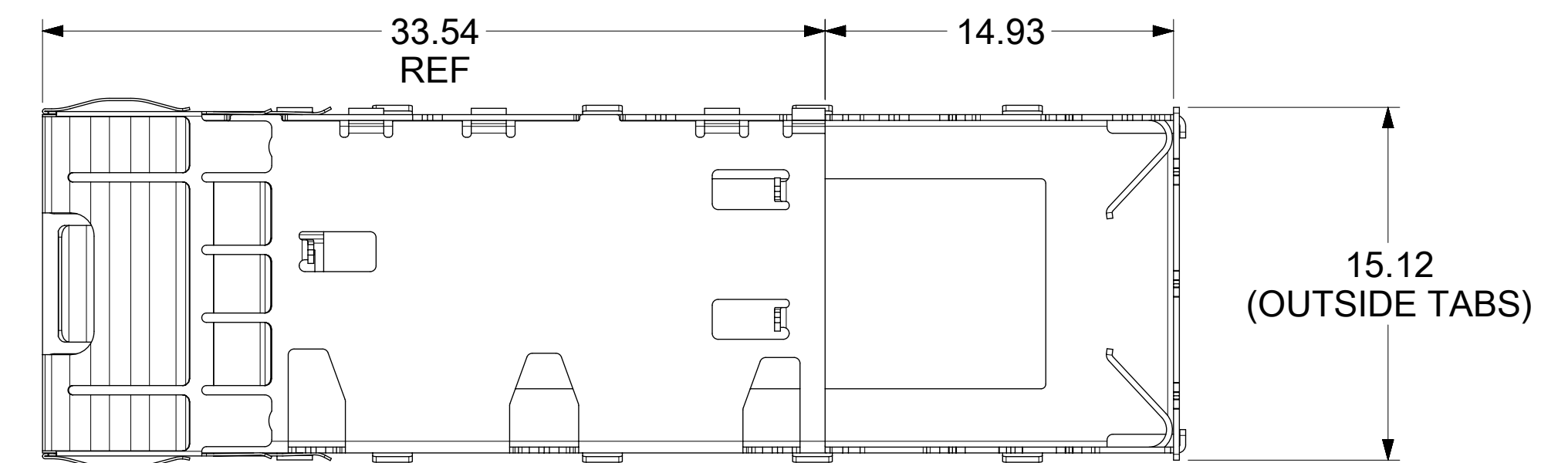
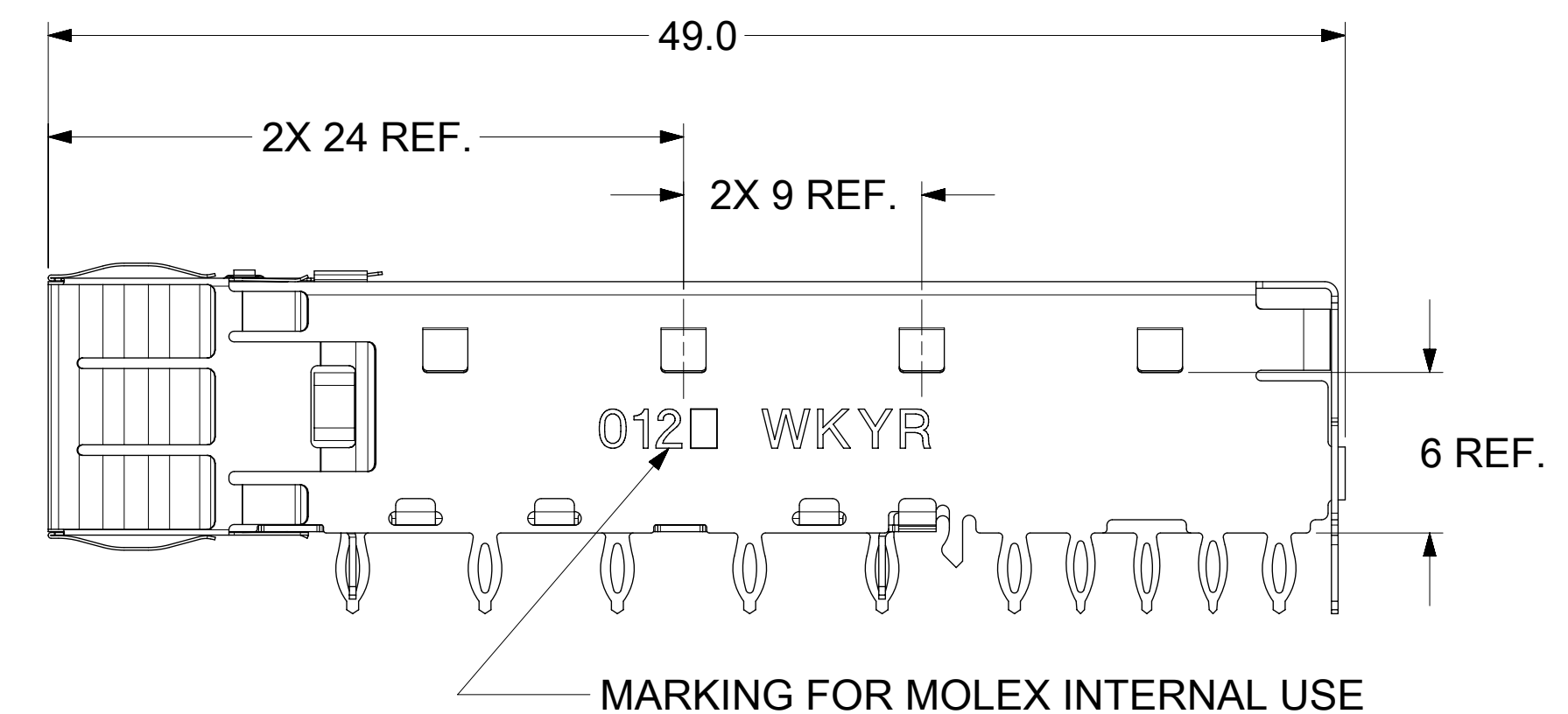
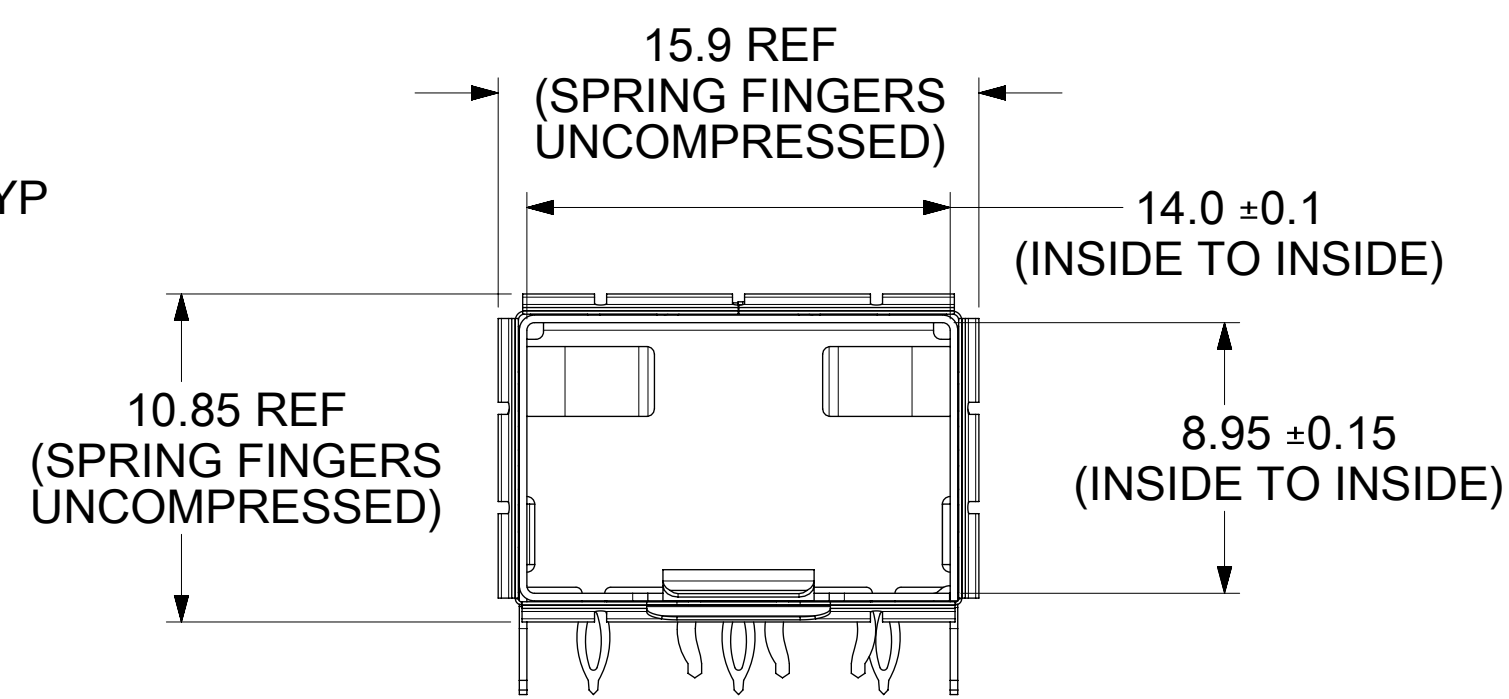
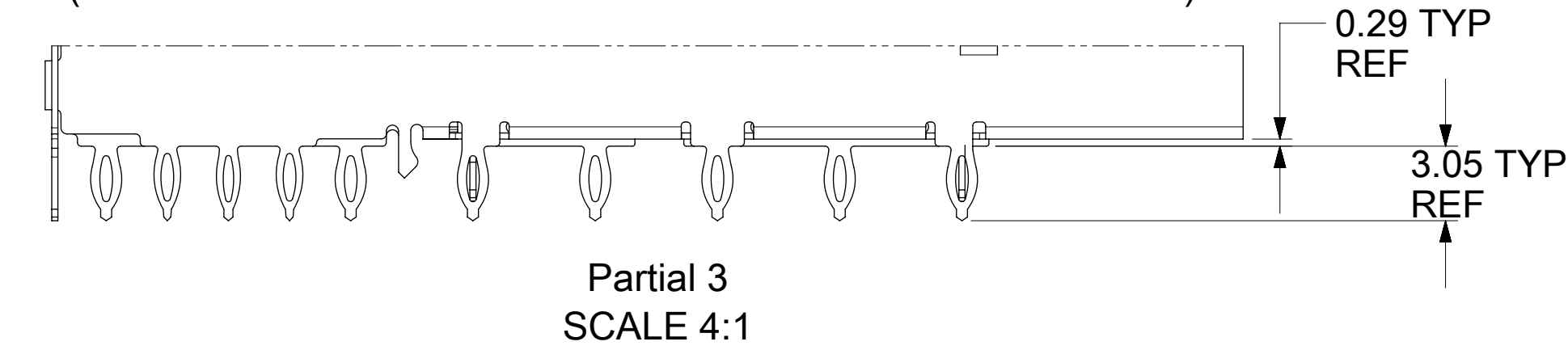
HEATSINK AND HEATSINK SPRING CLIP
REMOVED TO SHOW CAGE DETAIL
PART NUMBER 111112-8101 SHOWN



STANDARD CAGE 111112-0101
(SPRING FINGER REMOVED FROM THIS VIEW FOR CLARITY)



SPECIAL CAGE 111112-0117 WITH LENGTHENED PRESS FIT PINS
(SPRING FINGER REMOVED FROM THIS VIEW FOR CLARITY)



- NOTES:
- MATERIAL:**
CAGE: 0.25mm THICK COPPER ALLOY, NICKEL PLATED.
FRONT SPRING FINGERS: STAINLESS STEEL.
HEATSINK: ALUMINUM, NICKEL PLATED.
HEATSINK SPRING CLIP: STAINLESS STEEL.
 - PRESS FIT LEGS 3.05mm LONG:**
1.57mm MINIMUM PCB THICKNESS FOR SINGLE SIDED USE.
 - PORTS ARE DESIGNED FOR SFP+ TRANSCEIVERS AND ARE COMPATIBLE WITH SFP TRANSCEIVERS.**
THE TOP SURFACE OF THE MODULE MUST BE FLAT (NO PRODUCT LABEL RECESS) AND THERMALLY CONDUCTIVE TO FUNCTION OPTIMALLY.
 - WELD SPOTS WILL SHOW SLIGHT MATERIAL DISCOLORATION.
 - NO ROHS EXEMPTIONS.
 - CUSTOM HEATSINKS AVAILABLE UPON REQUEST.
 - CAGE ASSEMBLY, HEATSINK, AND HEATSINK SPRING CLIP SHIPPED ASSEMBLED.
 - THE MOLEX CAGE REQUIRES USING THE MOLEX HEATSINK SPRING CLIP.

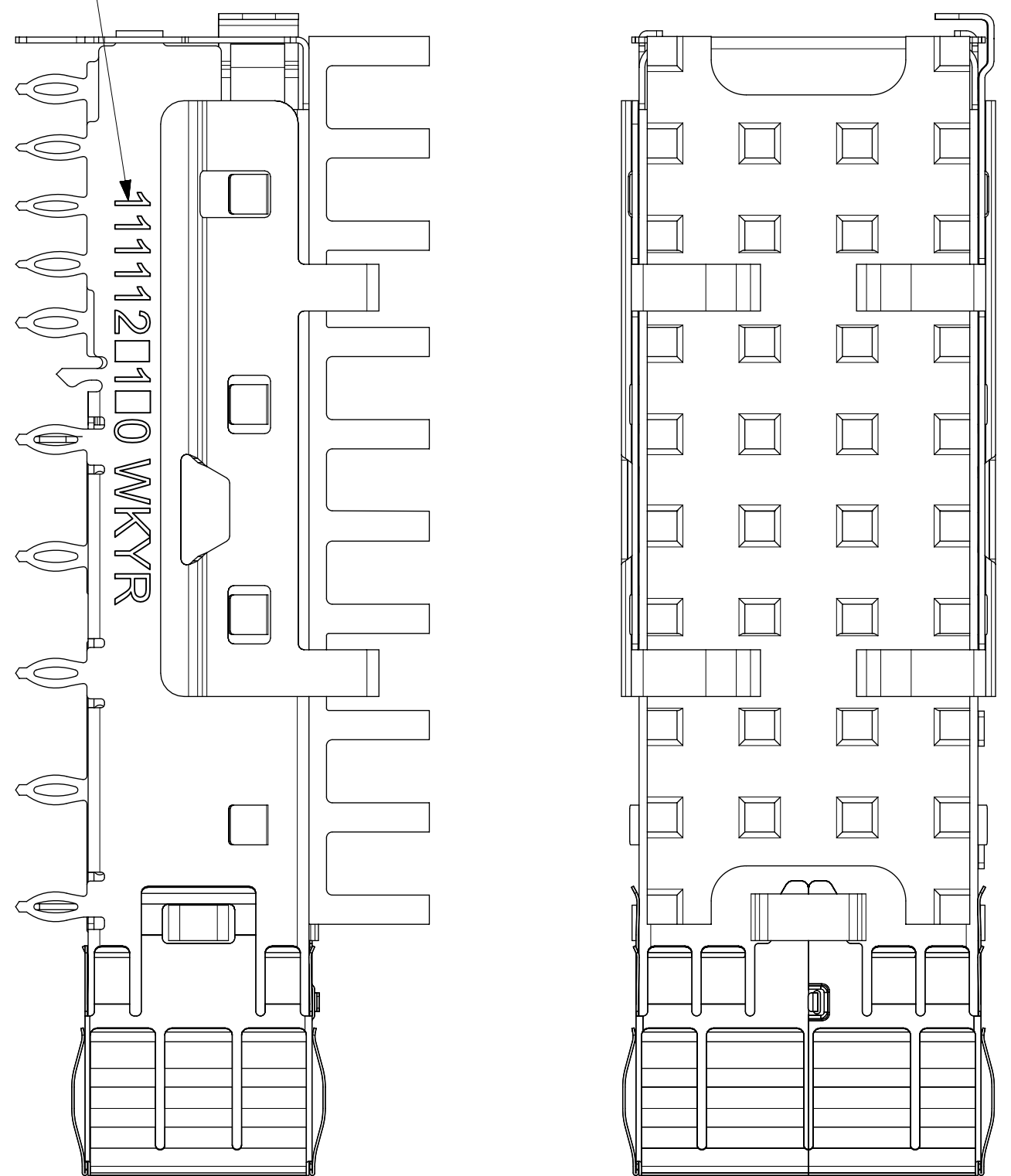
FUNCTIONAL SYMBOLS	THIS DRAWING CONTAINS INFORMATION THAT IS PROPRIETARY TO MOLEX ELECTRONIC TECHNOLOGIES, LLC AND SHOULD NOT BE USED WITHOUT WRITTEN PERMISSION		CURRENT REV DESC: SEE REVISION TABLE	
	FA = 0	mm	SCALE	4:1
DIVISIONAL SYMBOLS	GENERAL TOLERANCES (UNLESS SPECIFIED)		EC NO: 707262	
	FC = 0	ANGULAR TOL ± 1.0°	DRWN: ABHILT2	2022/04/07
FUNCTIONAL SYMBOLS	4 PLACES	±	CHK'D: TKUMARKC	2022/05/25
	3 PLACES	±	APPR: SCHIEN	2022/05/27
	2 PLACES	± 0.13	INITIAL REVISION:	
	1 PLACE	± 0.25	DRWN: ABHILT2	2022/04/07
FUNCTIONAL SYMBOLS	0 PLACES	±	APPR: SCHIEN	2022/05/27
	DRAFT WHERE APPLICABLE MUST REMAIN WITHIN DIMENSIONS		THIRD ANGLE PROJECTION	DRAWING SERIES
		D-SIZE		111112
DOCUMENT STATUS		P1	RELEASE DATE	2022/05/27 10:20:26
DOCUMENT NUMBER		CUSTOMER		SHEET NUMBER
1111128101		SEE SHEET 2		1 OF 5
DOC TYPE		DOC PART	REVISION	
PSD		ASY	A	

111112-9120
SHOWN ASSEMBLED

HEATSINK SPRING CLIP
MATERIAL NUMBER
111112-1001
(REFERENCE)

SFP+ CAGE ASSEMBLY
WITH FRONT SPRING FINGERS

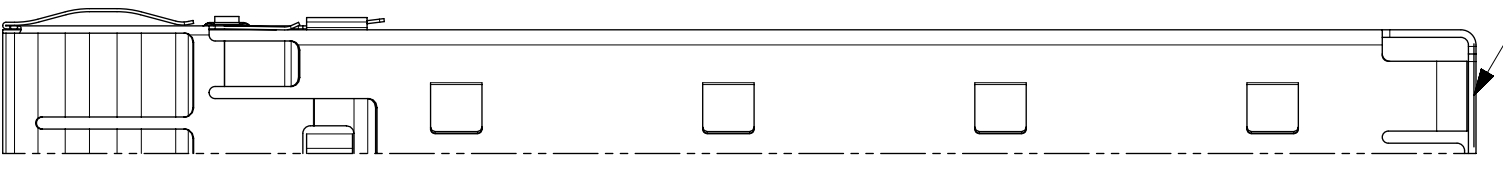
CAGE IDENTIFICATION:
KIT MATERIAL NUMBER
DATE CODE:
WK = WEEK 01 THROUGH 52.
EXAMPLE: 01 = FIRST WEEK OF YEAR, 52 = LAST WEEK OF YEAR
YR = LAST TWO DIGITS OF THE YEAR. 22, 23, 24,
ETC. EXAMPLE: 2022 = 22.



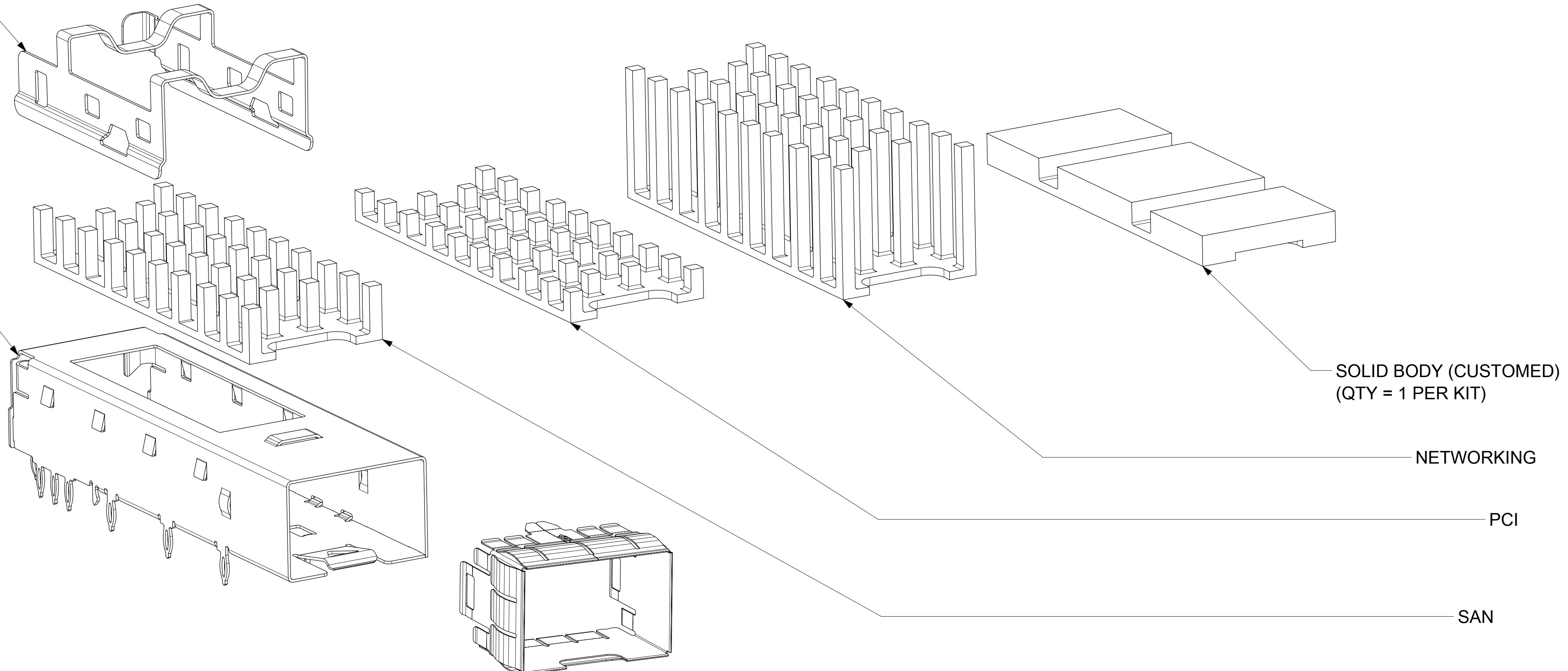
HEATSINK IS
REVERSIBLE

'B'
TYP

HEATSINK SPRING CLIP TAB
MUST BE ORIENTED TOWARDS
THE REAR OF THE CAGE



EXPLODED VIEW



SOLID BODY (CUSTOMED)
(QTY = 1 PER KIT)

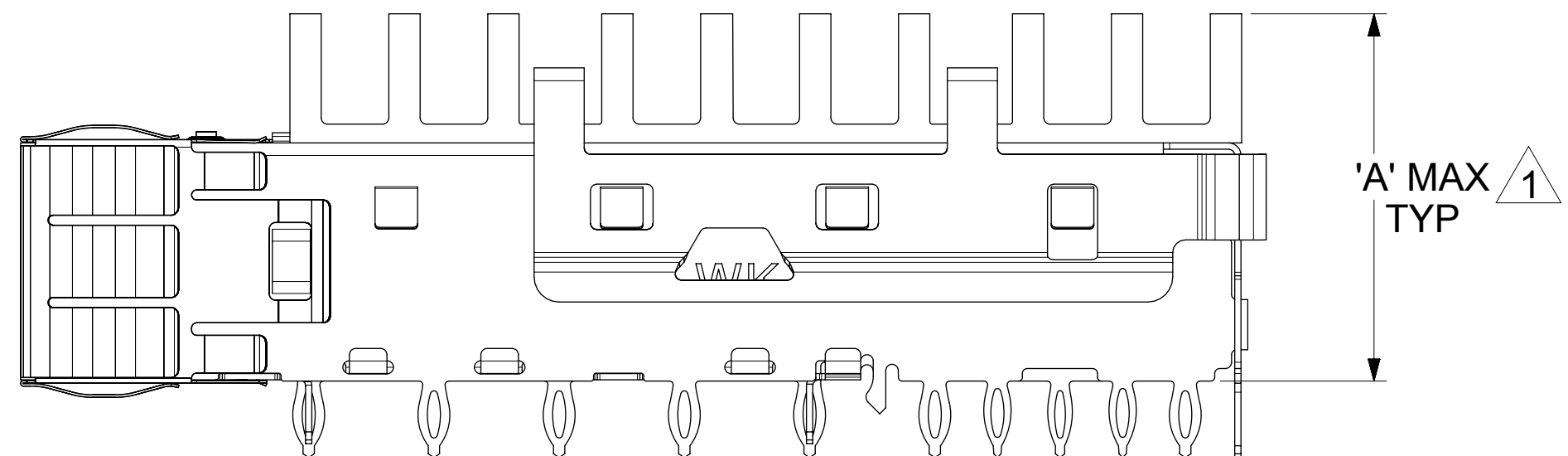
NETWORKING

PCI

SAN

KIT MAT'L NUMBER	APPLICATION	CAGE ASSY	ASSEMBLED DIM 'A'	HEATSINK DIM 'B' (REF)	HEATSINK MAT'L NO. (REF)	POLYIMIDE GASKET ATTACHED
STANDARD CAGE						
111112-8120	PCI	111112-8101	14.0	4.2	111112-2001	NO
111112-9120	SAN	111112-8101	16.3	6.5	111112-2002	NO
111112-7120	NETWORKING	111112-8101	23.3	13.5	111112-2003	NO
111112-8121	SOLID BODY	111112-8101	14.15	4.4	111112-2030	NO

1 HEIGHT OF HEATSINK WITH MODULE INSERTED.
DIMENSION MAY BE LESS DUE TO MODULE AND HEATSINK VARIATIONS.



FUNCTIONAL SYMBOLS FA = 0 FE = 0 FP = 0 DIVISIONAL SYMBOLS	THIS DRAWING CONTAINS INFORMATION THAT IS PROPRIETARY TO MOLEX ELECTRONIC TECHNOLOGIES, LLC AND SHOULD NOT BE USED WITHOUT WRITTEN PERMISSION		DIMENSION UNITS: mm SCALE: 4:1		CURRENT REV DESC: SEE REVISION TABLE	
	GENERAL TOLERANCES (UNLESS SPECIFIED)		ANGLULAR TOL ± 1.0°		EC NO: 707262 DRWN: ABHILT2 CHK'D: TKUMARKC APPR: SCHIEN	
	4 PLACES ±		3 PLACES ±		2022/04/07 2022/05/25	
	2 PLACES ± 0.13		1 PLACE ± 0.25		2022/05/27	
0 PLACES ±		DRAFT WHERE APPLICABLE MUST REMAIN WITHIN DIMENSIONS		INITIAL REVISION: DRWN: ABHILT2 APPR: SCHIEN		
THIRD ANGLE PROJECTION		DRAWING: D-SIZE		SERIES: 111112		
MATERIAL NUMBER: SEE SHEET 2		CUSTOMER:		SHEET NUMBER: 2 OF 5		

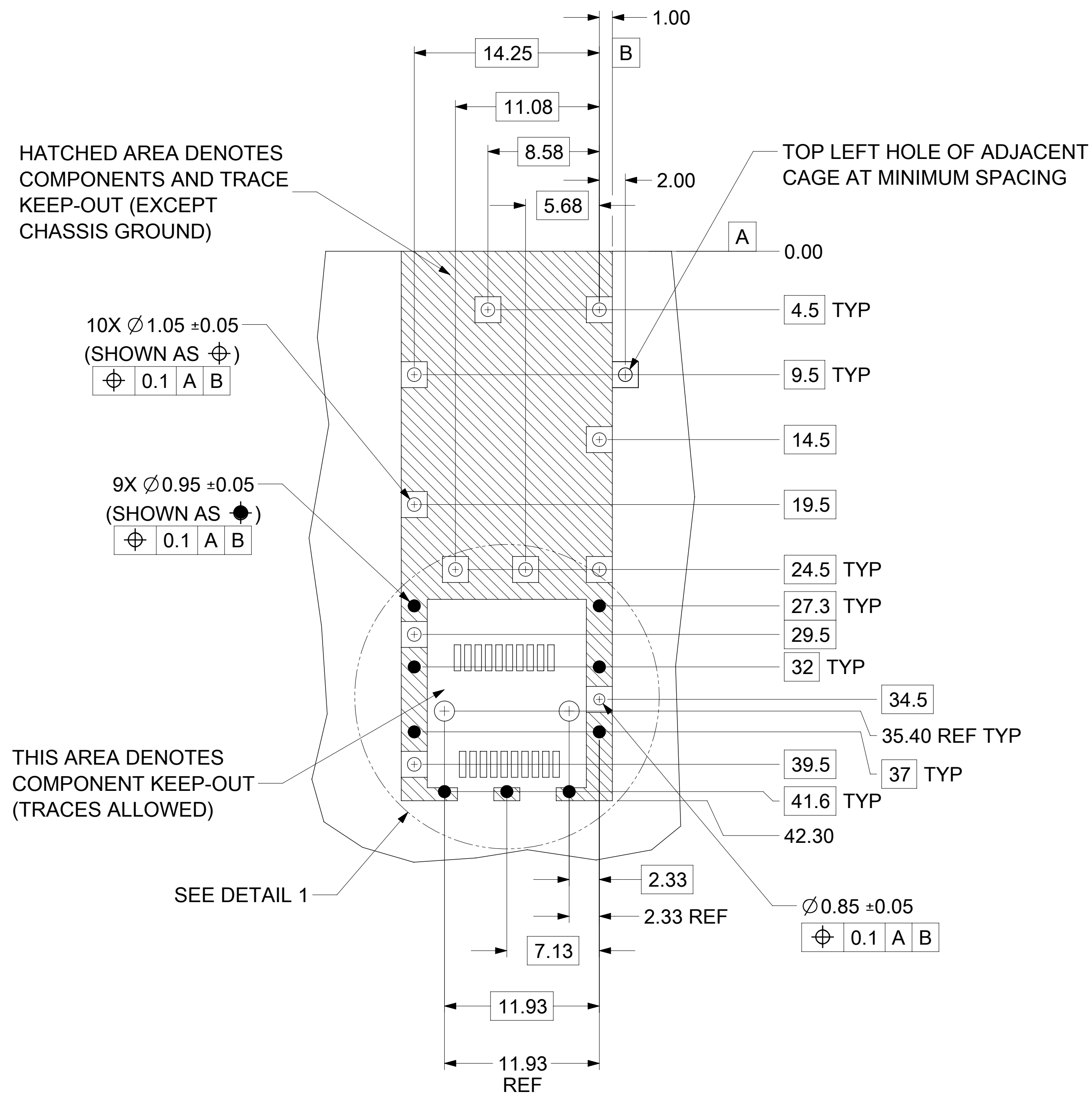
molex

SFP+ 1X1 CAGE ASSY PRESS FIT TYPE,
W/ SUS EMI SPRING FINGERS & HEAT SINK

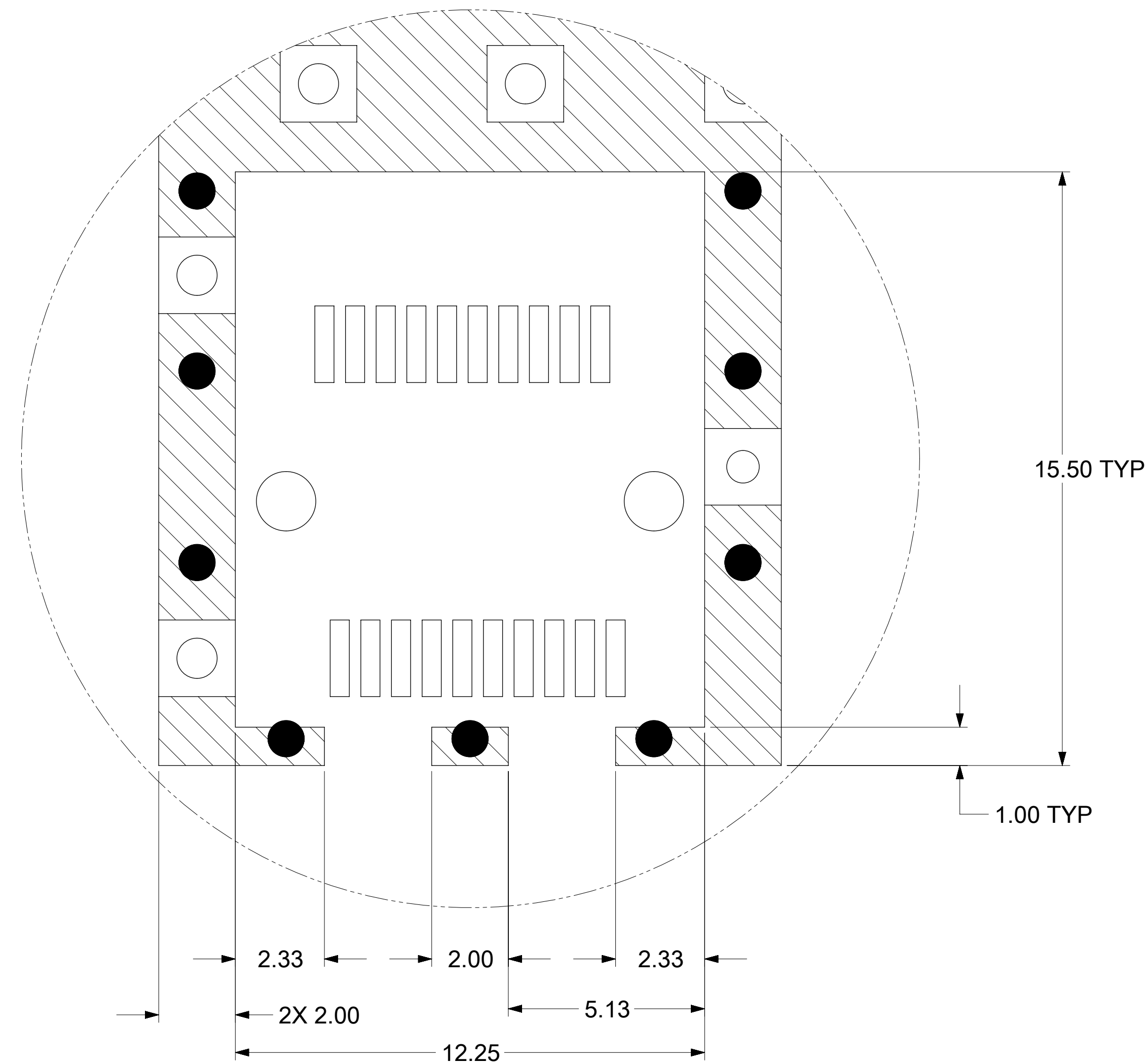
PRODUCT CUSTOMER DRAWING

DOCUMENT NUMBER: 1111128101
DOC TYPE: PSD
DOC PART: ASY
REVISION: A

PCB LAYOUT FOR SINGLE SIDE MOUNT



HOST CONNECTOR DETAIL



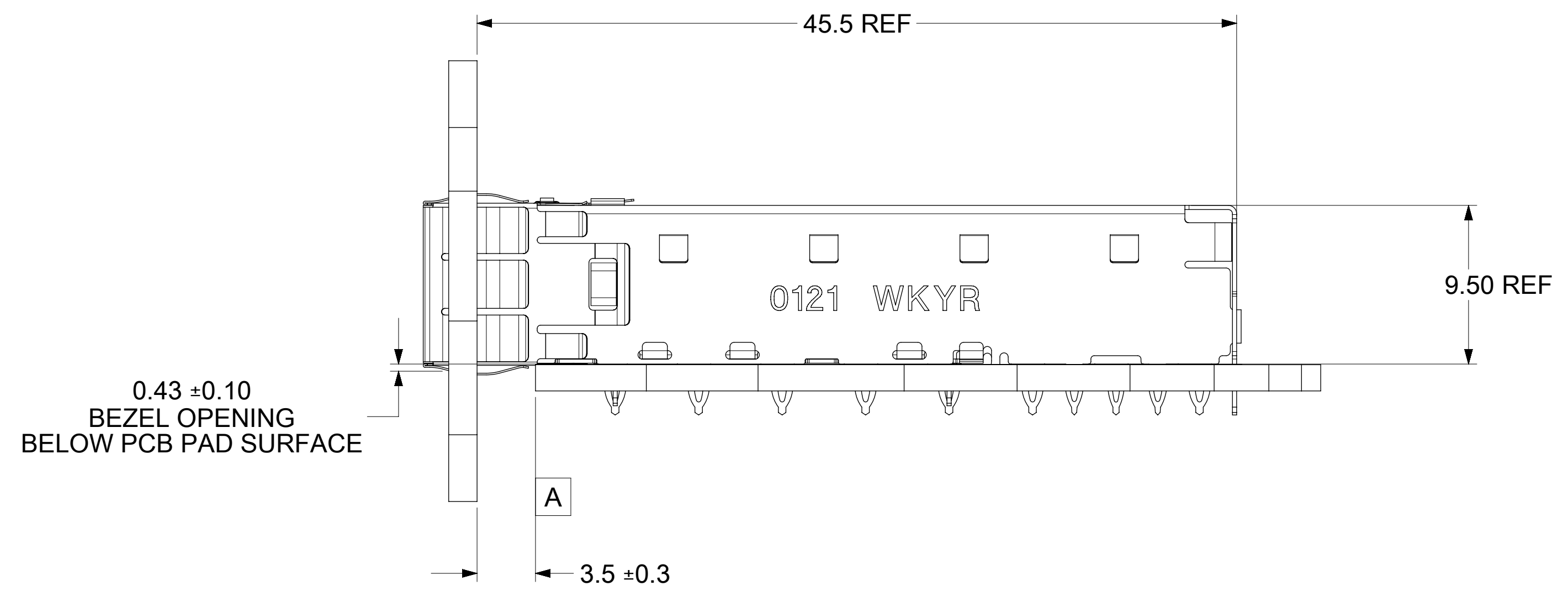
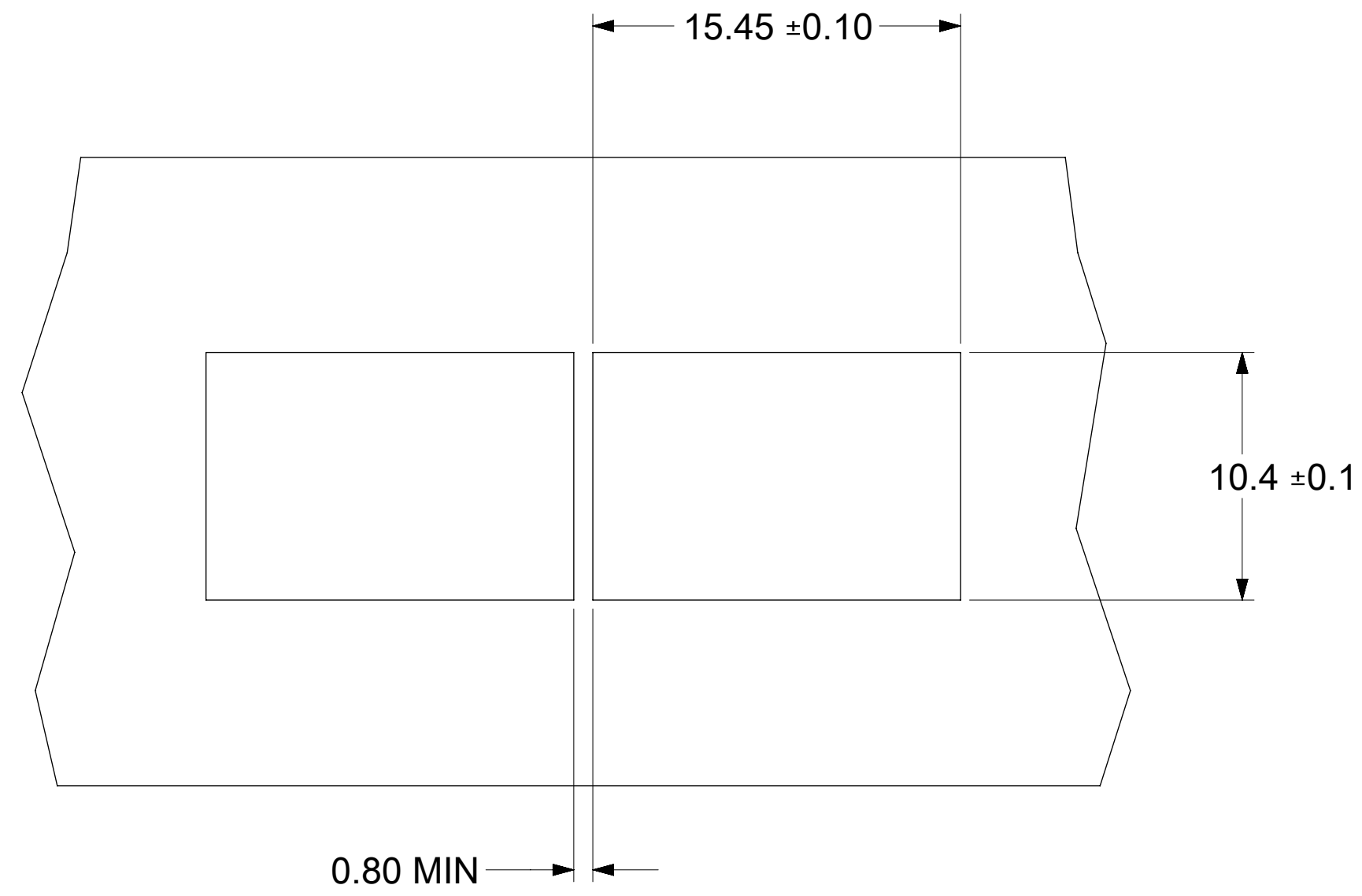
DETAIL 1
SCALE 10:1

NOTES:

1. PADS AND VIAS CONNECT TO CHASSIS GROUND (RECOMMEND PADS TO BE 2.00mm SQUARE)
2. RECOMMENDED THRU HOLE PLATING INCLUDES HASL, OSP, OR IMMERSION (GOLD, SILVER, OR TIN).
3. CONNECTOR PAD LAYOUT PER SFP+ MSA WILL ACCOMMODATE MOLEX CONNECTOR SERIES 74441 OR EQUIVALENT.

FUNCTIONAL SYMBOLS	THIS DRAWING CONTAINS INFORMATION THAT IS PROPRIETARY TO MOLEX ELECTRONIC TECHNOLOGIES, LLC AND SHOULD NOT BE USED WITHOUT WRITTEN PERMISSION		CURRENT REV DESC: SEE REVISION TABLE		molex
	DIMENSION UNITS	SCALE			
$F_A = 0$	mm	4:1			SFP+ 1X1 CAGE ASSY PRESS FIT TYPE, W/ SUS EMI SPRING FINGERS & HEAT SINK
$F_C = 0$	GENERAL TOLERANCES (UNLESS SPECIFIED)				
$F_D = 0$	ANGULAR TOL ± 1.0°				PRODUCT CUSTOMER DRAWING
DIVISIONAL SYMBOLS	4 PLACES	±	EC NO: 707262		
	3 PLACES	±	DRWN: ABHILT2 2022/04/07		
	2 PLACES	± 0.13	CHK'D: TKUMARKC 2022/05/25		
	1 PLACE	± 0.25	APPR: SCHIEN 2022/05/27		
	0 PLACES	±	INITIAL REVISION:		
	DRAFT WHERE APPLICABLE MUST REMAIN WITHIN DIMENSIONS		DRWN: ABHILT2 2022/04/07		DOCUMENT NUMBER 1111128101
	THIRD ANGLE PROJECTION		APPR: SCHIEN 2022/05/27		
	DRAWING		SERIES		DOC TYPE DOC PART REVISION PSD ASY A
	D-SIZE		111112		
	MATERIAL NUMBER		CUSTOMER		SHEET NUMBER 3 OF 5
	SEE SHEET 2				

BEZEL AND BOARD POSITION DIMENSIONS FOR SINGLE SIDE MOUNTING (SPRING FINGER)



FUNCTIONAL SYMBOLS	THIS DRAWING CONTAINS INFORMATION THAT IS PROPRIETARY TO MOLEX ELECTRONIC TECHNOLOGIES, LLC AND SHOULD NOT BE USED WITHOUT WRITTEN PERMISSION		
	DIMENSION UNITS	SCALE	CURRENT REV DESC: SEE REVISION TABLE
$\nabla_A = 0$	mm	1:1	EC NO: 707262 DRWN: ABHILT2 2022/04/07 CHK'D: TKUMARKC 2022/05/25 APPR: SCHIEN 2022/05/27
$\nabla_C = 0$	GENERAL TOLERANCES (UNLESS SPECIFIED)		
$\nabla_P = 0$	ANGULAR TOL ± 1.0°		INITIAL REVISION:
DIVISIONAL SYMBOLS	4 PLACES ±		DRWN: ABHILT2 2022/04/07 APPR: SCHIEN 2022/05/27
	3 PLACES ±		
	2 PLACES ±	0.13	
	1 PLACE ±	0.25	
	0 PLACES ±		
DRAFT WHERE APPLICABLE MUST REMAIN WITHIN DIMENSIONS		THIRD ANGLE PROJECTION	DRAWING SERIES MATERIAL NUMBER CUSTOMER SHEET NUMBER
			D-SIZE 111112 SEE SHEET 2 4 OF 5

molex

SFP+ 1X1 CAGE ASSY PRESS FIT TYPE,
W/ SUS EMI SPRING FINGERS & HEAT SINK

PRODUCT CUSTOMER DRAWING

DOCUMENT NUMBER	DOC TYPE	DOC PART	REVISION
1111128101	PSD	ASY	A

DOCUMENT STATUS	P1	RELEASE DATE	2022/05/27 10:20:26
-----------------	----	--------------	---------------------

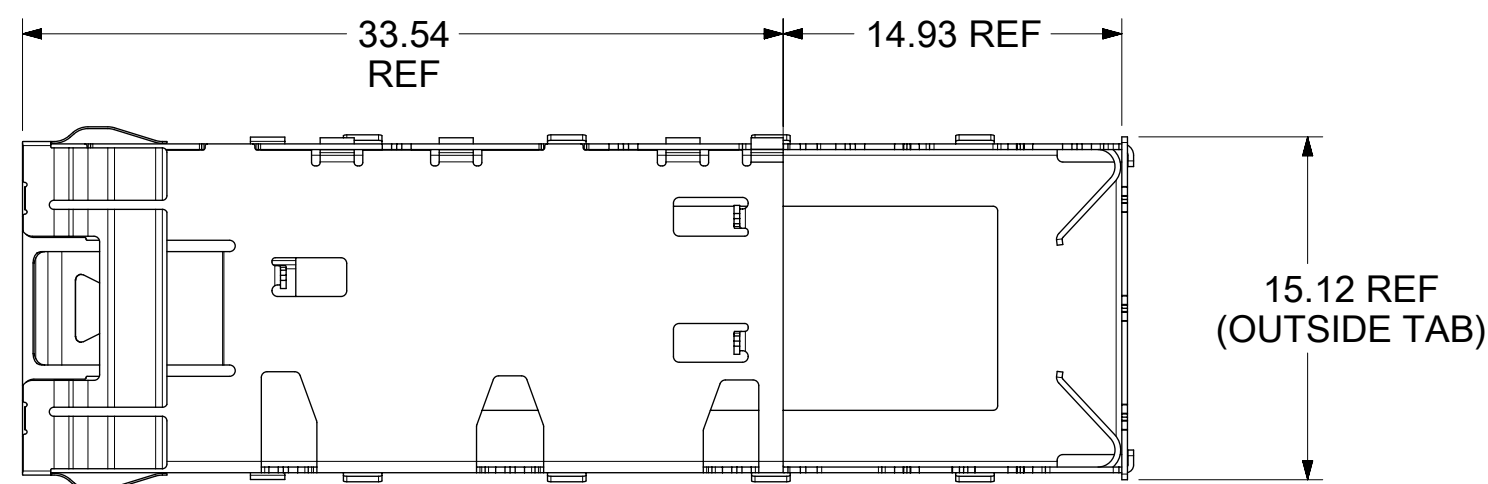
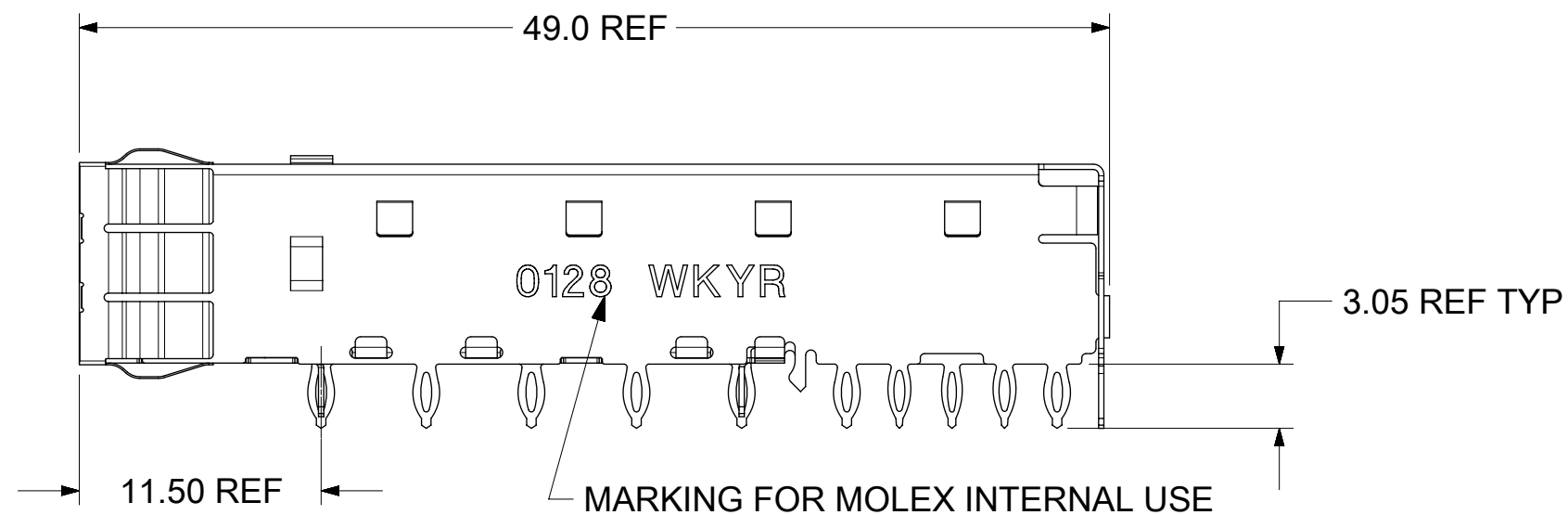
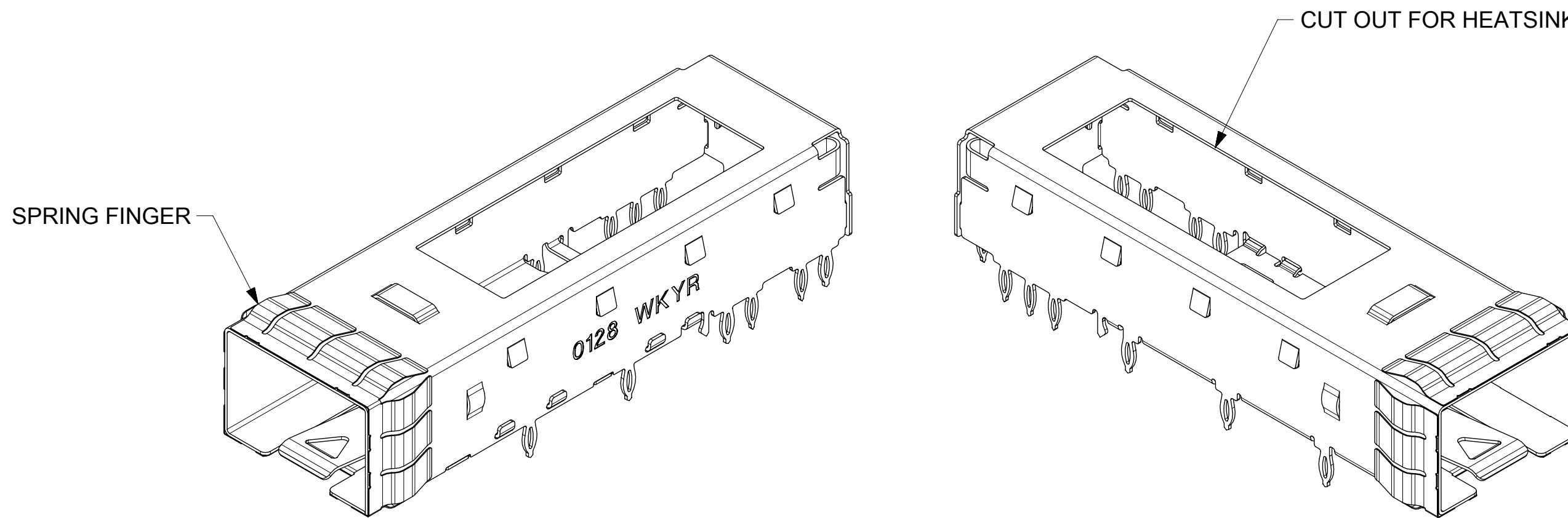
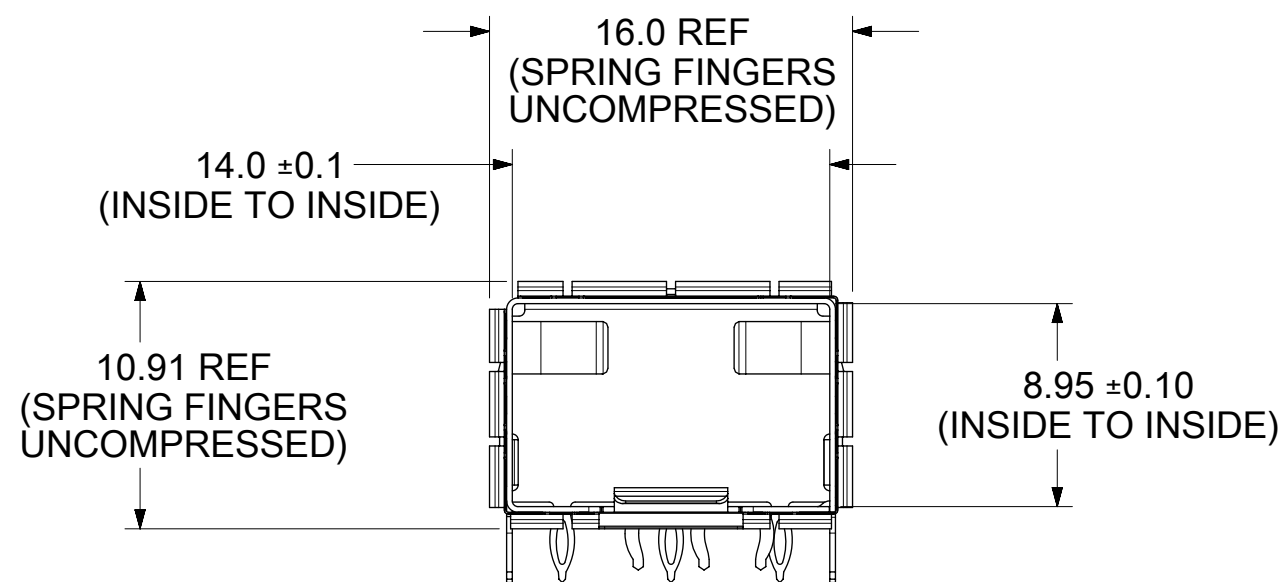
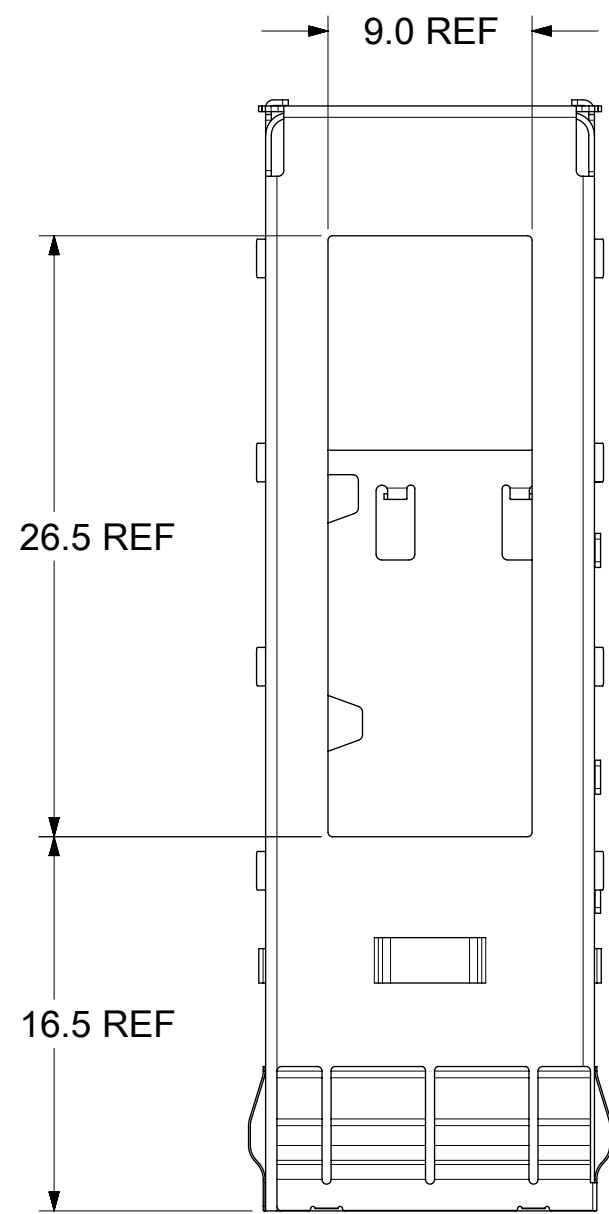
REVISION	DATE	DESCRIPTION
A	2022/05/25	INITIAL RELEASE

FUNCTIONAL SYMBOLS FA = 0 FC = 0 FP = 0 DIVISIONAL SYMBOLS	THIS DRAWING CONTAINS INFORMATION THAT IS PROPRIETARY TO MOLEX ELECTRONIC TECHNOLOGIES, LLC AND SHOULD NOT BE USED WITHOUT WRITTEN PERMISSION			CURRENT REV DESC: SEE REVISION TABLE						
	DIMENSION UNITS	SCALE	GENERAL TOLERANCES (UNLESS SPECIFIED)							
	mm	1:1	ANGULAR TOL ± 1.0°			EC NO: 707262				
	4 PLACES ±	3 PLACES ±			DRWN: ABHILT2 2022/04/07					
	3 PLACES ±	2 PLACES ± 0.13			CHK'D: TKUMARKC 2022/05/25					
	2 PLACES ±	1 PLACE ± 0.25			APPR: SCHIEN 2022/05/27					
	1 PLACE ±	0 PLACES ±			INITIAL REVISION: DRWN: ABHILT2 2022/04/07 APPR: SCHIEN 2022/05/27					
DRAFT WHERE APPLICABLE MUST REMAIN WITHIN DIMENSIONS		THIRD ANGLE PROJECTION	DRAWING	SERIES	MATERIAL NUMBER	CUSTOMER	DOCUMENT NUMBER	DOC TYPE	DOC PART	REVISION
			D-SIZE	111112	SEE SHEET 2		1111128101	PSD	ASY	A
										SHEET NUMBER 5 OF 5

DOCUMENT STATUS	P1	RELEASE DATE	2022/05/27 10:20:26
-----------------	----	--------------	---------------------

CAGE ASSEMBLY

HEATSINK/CLIP NOT SHOWN FOR CLARITY



- NOTES:**
- MATERIAL:**
 CAGE: 0.25mm THICK COPPER ALLOY, NICKEL PLATED.
 FRONT SPRING FINGERS: STAINLESS STEEL.
 HEATSINK: ALUMINUM, NICKEL PLATED.
 HEATSINK SPRING CLIP: STAINLESS STEEL.
 - PRESS FIT LEGS 3.05mm LONG:**
 1.57mm MINIMUM PCB THICKNESS FOR SINGLE SIDED USE.
 - PORTS ARE DESIGNED FOR SFP+ TRANSCEIVERS AND ARE COMPATIBLE WITH SFP TRANSCEIVERS.**
 THE TOP SURFACE OF THE MODULE MUST BE FLAT (NO PRODUCT LABEL RECESS) AND THERMALLY CONDUCTIVE TO FUNCTION OPTIMALLY.
 - WELD SPOTS WILL SHOW SLIGHT MATERIAL DISCOLORATION.
 - NO RoHS EXEMPTIONS.
 - CUSTOM HEATSINKS AVAILABLE UPON REQUEST.
 - CAGE ASSEMBLY, HEATSINK, AND HEATSINK SPRING CLIP SHIPPED ASSEMBLED.
 - THE MOLEX CAGE REQUIRES USING THE MOLEX HEATSINK SPRING CLIP.

FUNCTIONAL SYMBOLS	THIS DRAWING CONTAINS INFORMATION THAT IS PROPRIETARY TO MOLEX ELECTRONIC TECHNOLOGIES, LLC AND SHOULD NOT BE USED WITHOUT WRITTEN PERMISSION		CURRENT REV DESC: SEE REVISION TABLE	
	DIMENSION UNITS	SCALE		
$\nabla_A = 0$	mm	3:1		
$\nabla_E = 0$	GENERAL TOLERANCES (UNLESS SPECIFIED)			
$\nabla_P = 0$	ANGULAR TOL ± 1.0°			
DIVISIONAL SYMBOLS	4 PLACES	±	EC NO: 707262	
	3 PLACES	±	DRWN: SKRISHNAMURT	2022/04/11
	2 PLACES	± 0.13	CHK'D: TKUMARKC	2022/05/25
	1 PLACE	± 0.25	APPR: SCHIEN	2022/05/27
0 PLACES	±	INITIAL REVISION:		
DRAFT WHERE APPLICABLE MUST REMAIN WITHIN DIMENSIONS		THIRD ANGLE PROJECTION	DRAWING	SERIES
			C-SIZE	111112
DOCUMENT STATUS		P1	RELEASE DATE	2022/05/27 10:20:27
DOCUMENT NUMBER		CUSTOMER		SHEET NUMBER
111128122		111128122		1 OF 5

molex

SFP+ 1X1 CAGE ASSY PRESS FIT TYPE, W/ SUS SPRING FINGR, CUTOUT 3.4 & HEATSINKS

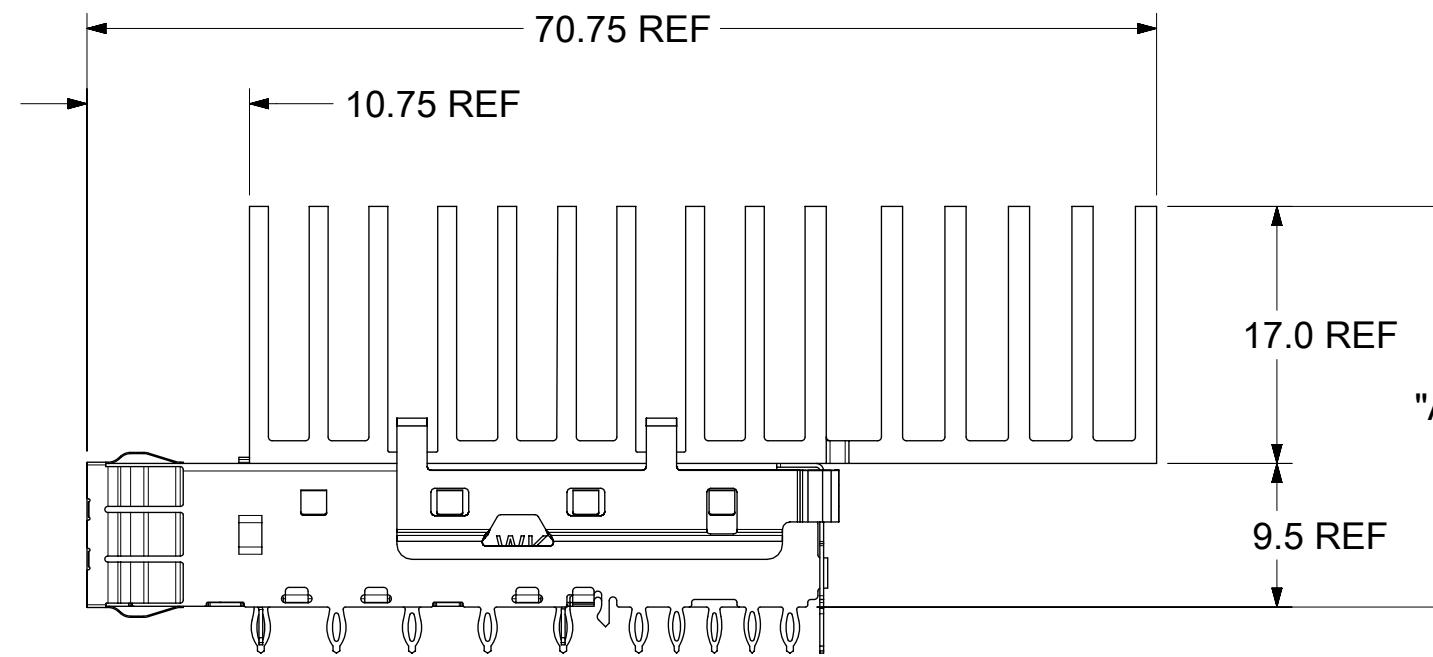
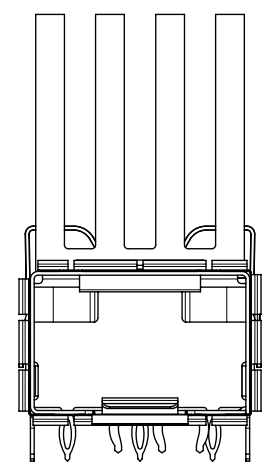
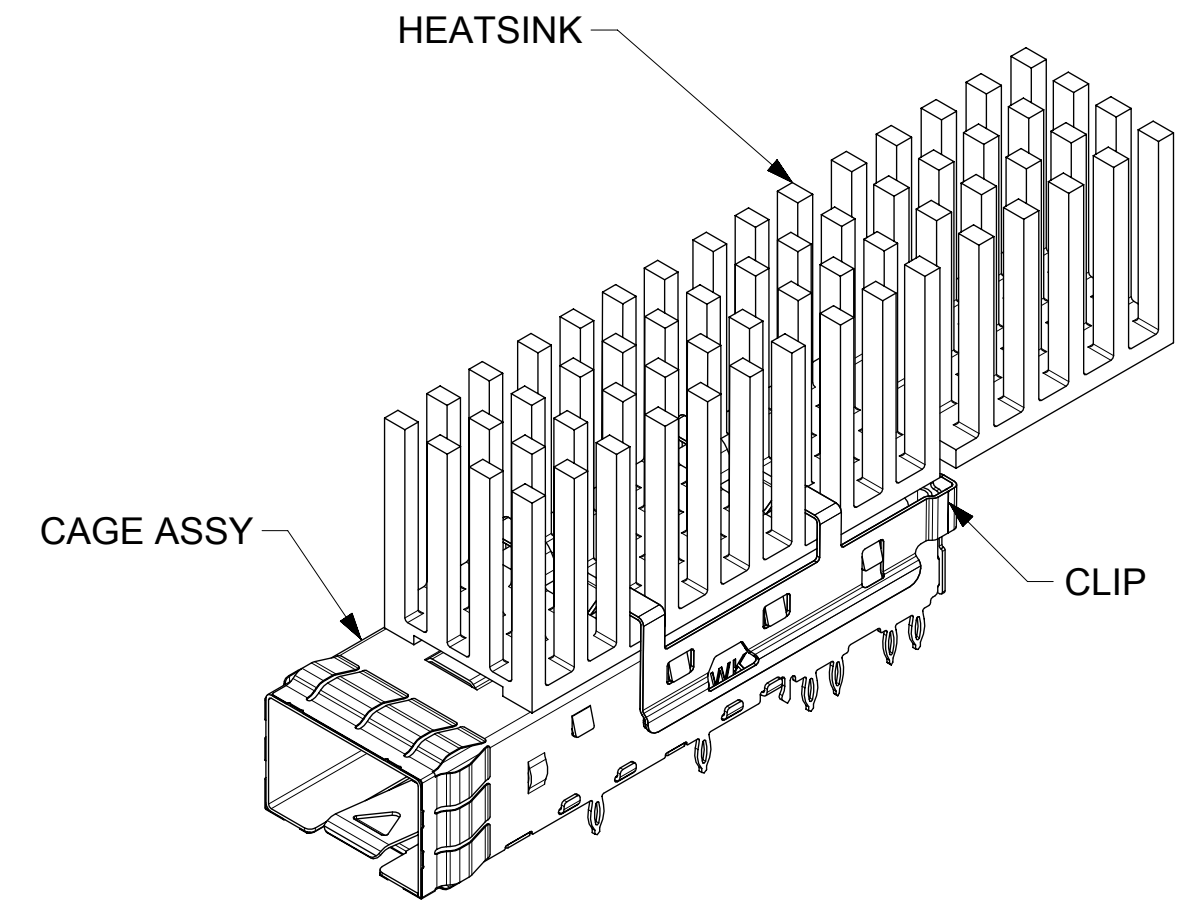
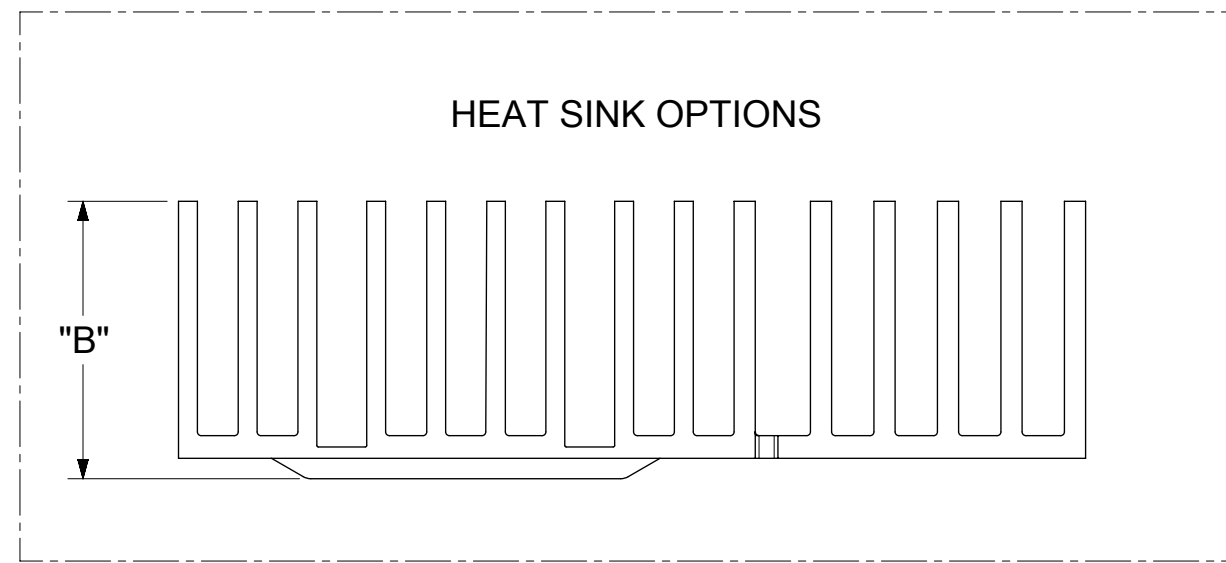
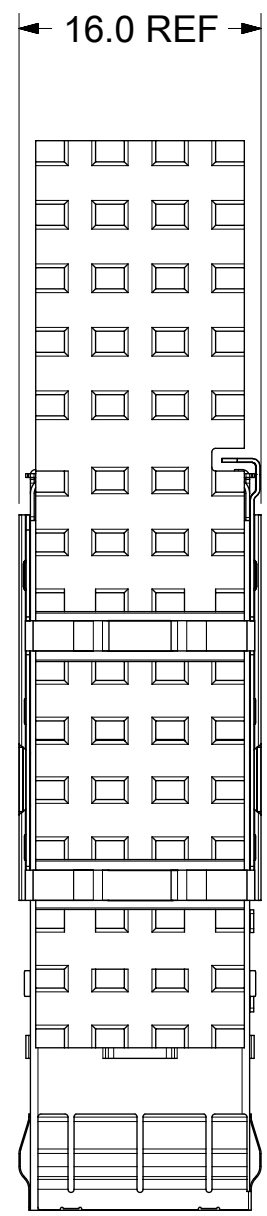
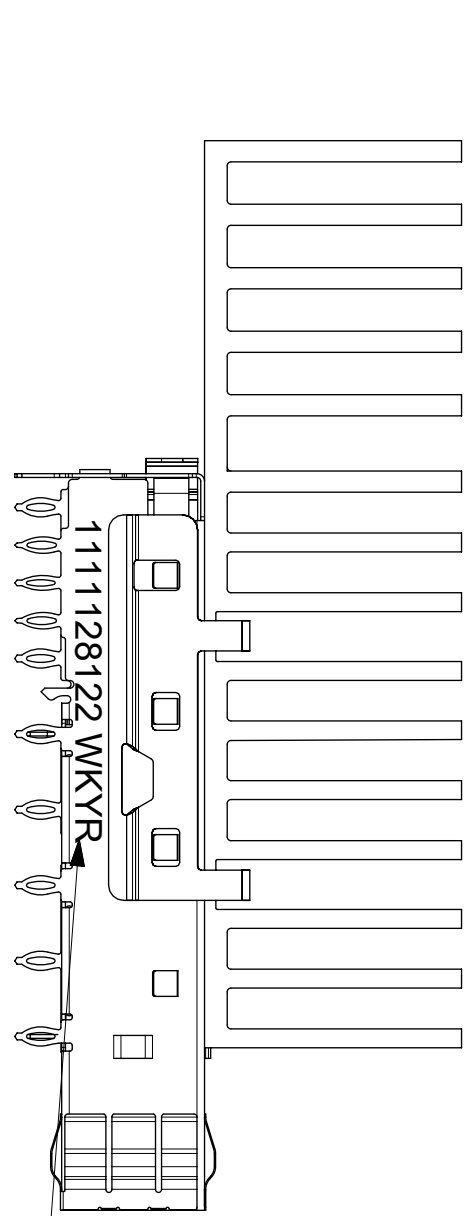
PRODUCT CUSTOMER DRAWING

DOC TYPE DOC PART REVISION

111128122 PSD ASY A

MATERIAL NUMBER CUSTOMER SHEET NUMBER

111128122 1 OF 5



"A" MAX TYP. (AFTER MATING WITH TRANSCEIVERS)

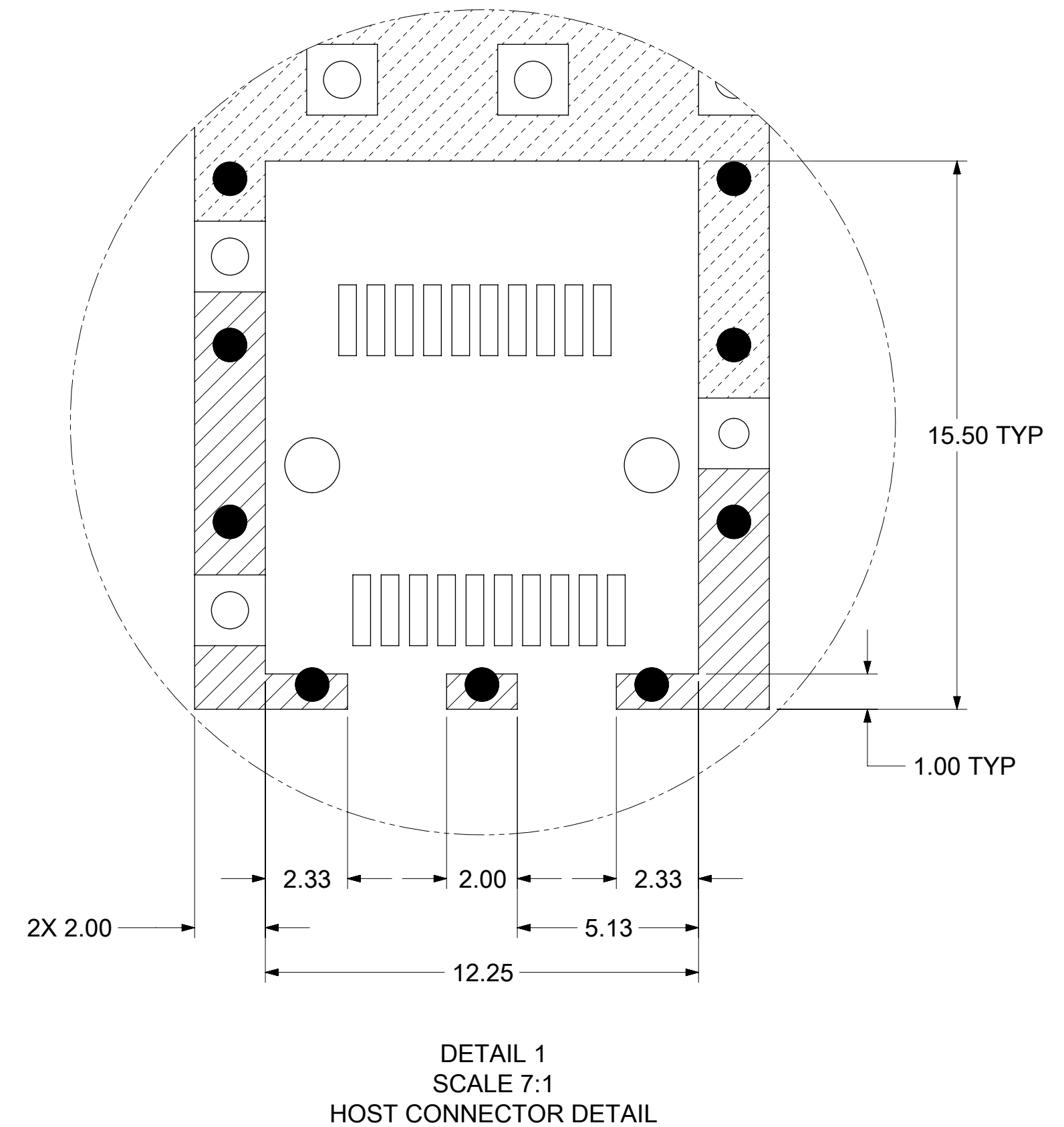
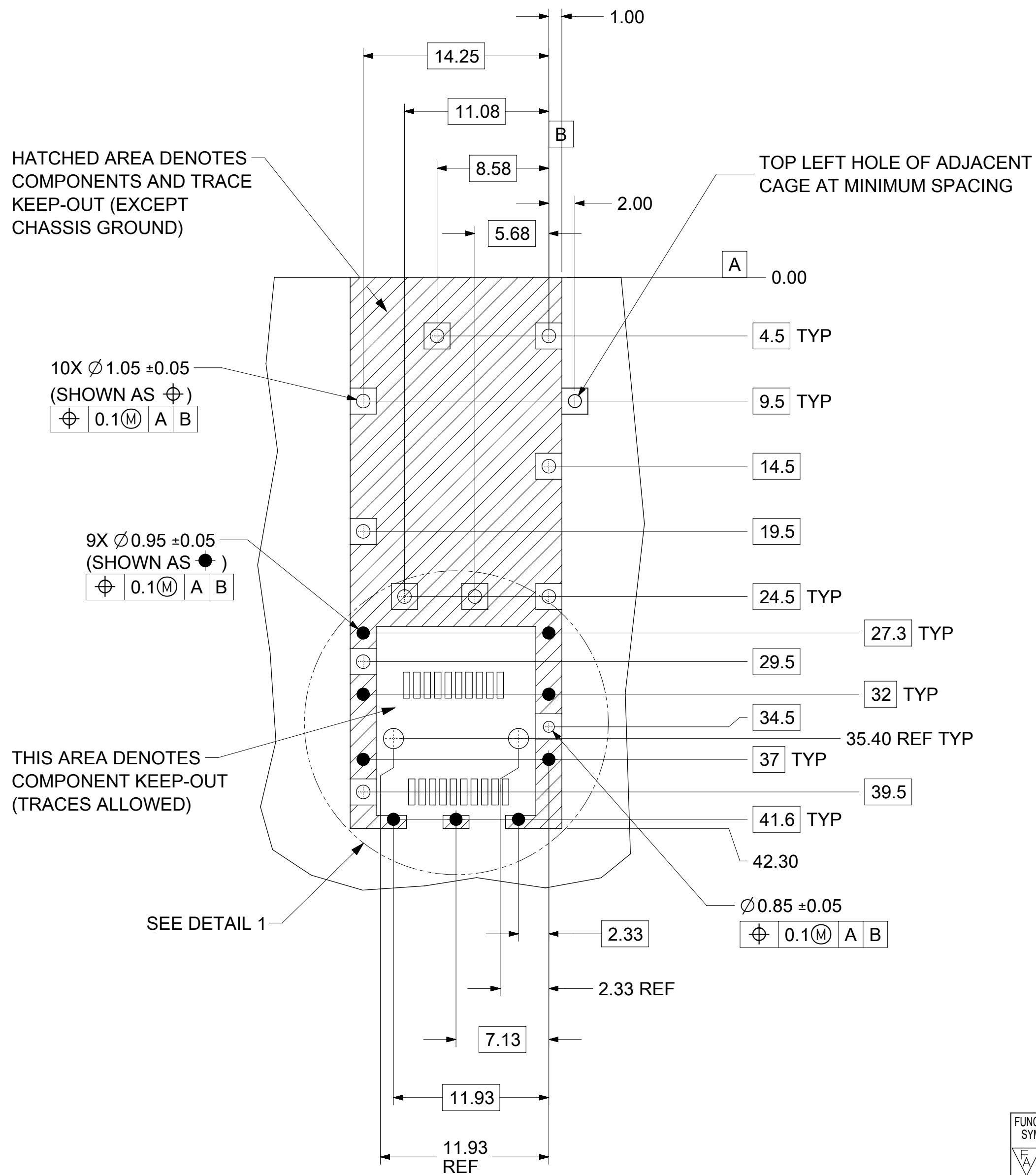
F/G PART NUMBER	DIM "A"	DIM "B"
111128122	28.1	18.35

PART NO. AND WEEK/YEAR DATE CODE TO BE PRINTED ON THE SIDE OF COMPLETED CAGE ASSEMBLY APPROXIMATELY AS SHOWN

WEEK/YEAR DATE CODE TABLE	
WK	WEEK 01 THRU 52 OR 53 EXAMPLE: 01 = FIRST WEEK OF YEAR 52 = LAST WEEK OF YEAR
YR	22, 23, 24 ETC. EXAMPLE: YEAR 2022 = 22

FUNCTIONAL SYMBOLS $\nabla_A = 0$ $\nabla_C = 0$ $\nabla_P = 0$	THIS DRAWING CONTAINS INFORMATION THAT IS PROPRIETARY TO MOLEX ELECTRONIC TECHNOLOGIES, LLC AND SHOULD NOT BE USED WITHOUT WRITTEN PERMISSION	CURRENT REV DESC: SEE REVISION TABLE						
	DIMENSION UNITS: mm	SCALE: 2:1	EC NO: 707262					
	GENERAL TOLERANCES (UNLESS SPECIFIED)		DRWN: SKRISHNAMURT 2022/04/11		SFP+ 1X1 CAGE ASSY PRESS FIT TYPE, W/ SUS SPRING FINGR, CUTOUT 3.4 & HEATSINKS			
	ANGULAR TOL $\pm 1.0^\circ$		CHK'D: TKUMARKC 2022/05/25					
DIVISIONAL SYMBOLS		APPR: SCHIEN 2022/05/27		PRODUCT CUSTOMER DRAWING				
4 PLACES \pm		INITIAL REVISION:		DOCUMENT NUMBER		DOC TYPE	DOC PART	REVISION
3 PLACES \pm		DRWN: SKRISHNAMURT 2022/04/11		111128122		PSD	ASY	A
2 PLACES ± 0.13		APPR: SCHIEN 2022/05/27		MATERIAL NUMBER		SHEET NUMBER		
1 PLACE ± 0.25		THIRD ANGLE PROJECTION		111128122		2 OF 5		
0 PLACES \pm		DRAWING		CUSTOMER				
DRAFT WHERE APPLICABLE MUST REMAIN WITHIN DIMENSIONS		C-SIZE		SERIES				
		SERIES		111112				

PCB LAYOUT FOR SINGLE SIDE MOUNT



- NOTES:
1. PADS AND VIAS CONNECT TO CHASSIS GROUND (RECOMMEND PADS TO BE 2.00mm SQUARE)
 2. RECOMMENDED THRU HOLE PLATING INCLUDES HASL, OSP, OR IMMERSION (GOLD, SILVER, OR TIN).
 3. CONNECTOR PAD LAYOUT PER SFP+ MSA WILL ACCOMMODATE MOLEX CONNECTOR SERIES 74441 OR EQUIVALENT.

FUNCTIONAL SYMBOLS	THIS DRAWING CONTAINS INFORMATION THAT IS PROPRIETARY TO MOLEX ELECTRONIC TECHNOLOGIES, LLC AND SHOULD NOT BE USED WITHOUT WRITTEN PERMISSION		CURRENT REV DESC: SEE REVISION TABLE		
	DIMENSION UNITS	SCALE			
	$\frac{F}{A} = 0$	mm	3:1		
	$\frac{E}{C} = 0$	GENERAL TOLERANCES (UNLESS SPECIFIED)			
DIVISIONAL SYMBOLS	$\frac{E}{P} = 0$	ANGULAR TOL $\pm 1.0^\circ$		EC NO: 707262	
	4 PLACES	\pm		DRWN: SKRISHNAMURT 2022/04/11	
	3 PLACES	\pm		CHK'D: TKUMARKC 2022/05/25	
	2 PLACES	± 0.13		APPR: SCHIEN 2022/05/27	
1 PLACE	± 0.25		INITIAL REVISION:		
0 PLACES	\pm		DRWN: SKRISHNAMURT 2022/04/11		
DRAFT WHERE APPLICABLE MUST REMAIN WITHIN DIMENSIONS		THIRD ANGLE PROJECTION	DRAWING	SERIES	DOCUMENT NUMBER
			C-SIZE	111112	111128122
					CUSTOMER
					PSD ASY A
					SHEET NUMBER
					3 OF 5

molex

SFP+ 1X1 CAGE ASSY PRESS FIT TYPE, W/ SUS SPRING FINGR, CUTOUT 3.4 & HEATSINKS

PRODUCT CUSTOMER DRAWING

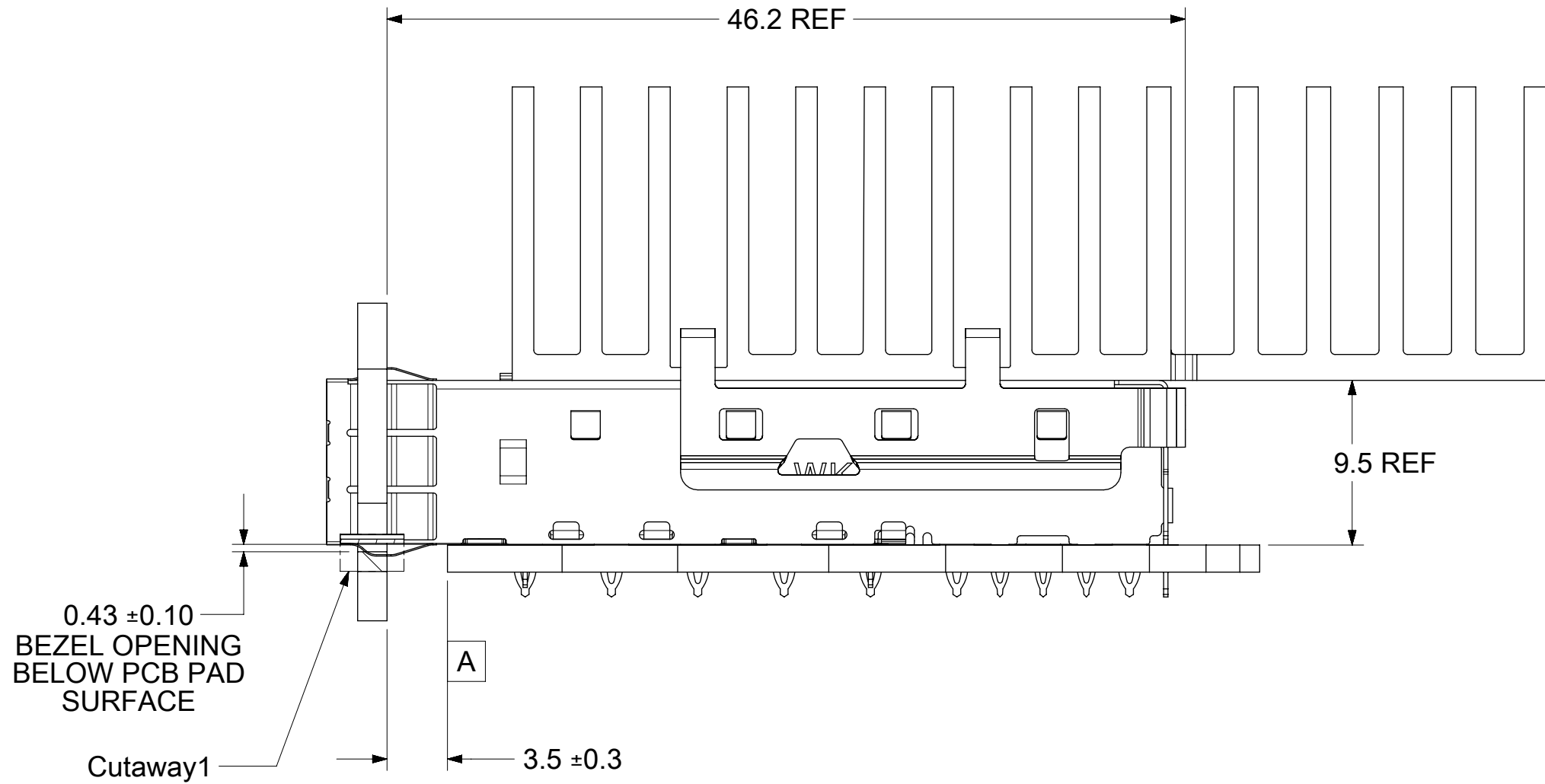
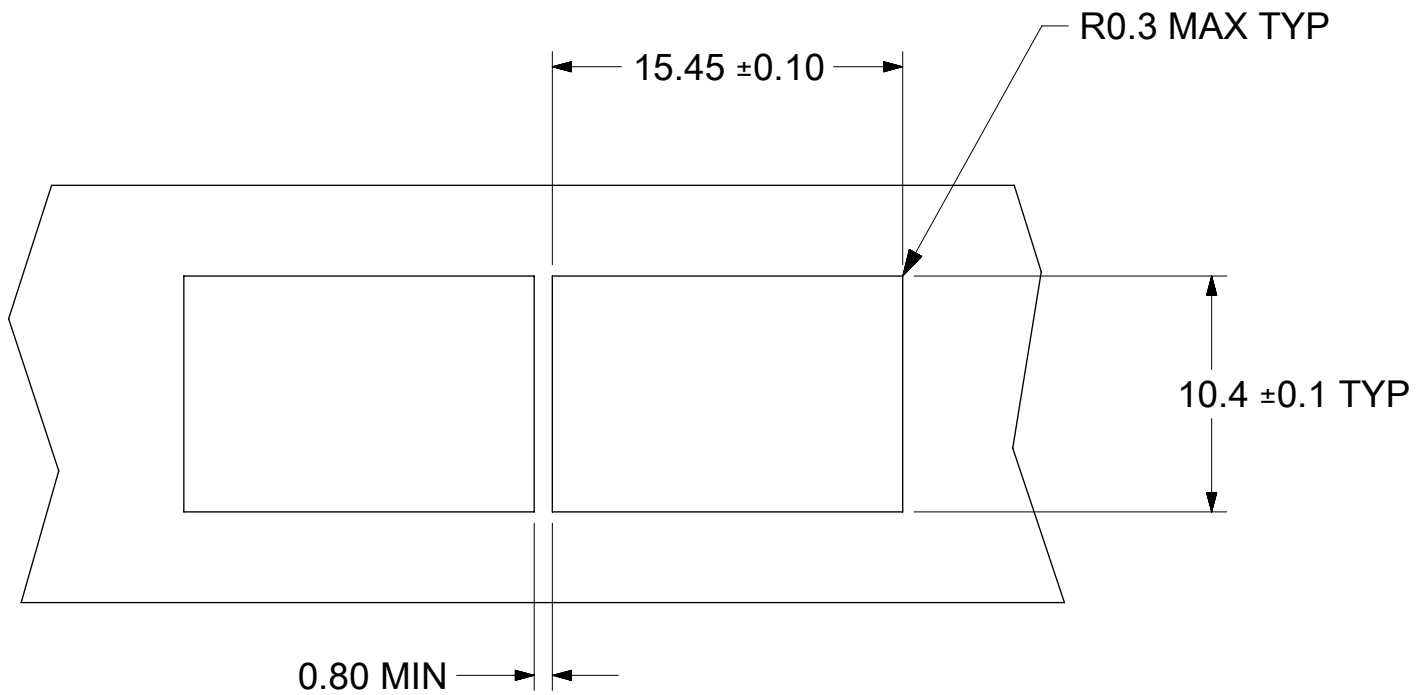
111128122

PSD ASY A

111128122

3 OF 5

BEZEL AND BOARD POSITION DIMENSIONS FOR SINGLE SIDE MOUNTING (SPRING FINGER)



FUNCTIONAL SYMBOLS	THIS DRAWING CONTAINS INFORMATION THAT IS PROPRIETARY TO MOLEX ELECTRONIC TECHNOLOGIES, LLC AND SHOULD NOT BE USED WITHOUT WRITTEN PERMISSION		
	DIMENSION UNITS	SCALE	CURRENT REV DESC: SEE REVISION TABLE
$\frac{F}{A} = 0$	mm	3:1	molex SFP+ 1X1 CAGE ASSY PRESS FIT TYPE, W/ SUS SPRING FINGR, CUTOUT 3.4 & HEATSINKS PRODUCT CUSTOMER DRAWING
$\frac{F}{C} = 0$	GENERAL TOLERANCES (UNLESS SPECIFIED)		
$\frac{F}{P} = 0$	ANGULAR TOL ± 1.0°		
DIVISIONAL SYMBOLS	4 PLACES	±	EC NO: 707262
	3 PLACES	±	DRWN: SKRISHNAMURT 2022/04/11
	2 PLACES	± 0.13	CHK'D: TKUMARKC 2022/05/25
	1 PLACE	± 0.25	APPR: SCHIEN 2022/05/27
0 PLACES	±	INITIAL REVISION:	DOCUMENT NUMBER
		DRWN: SKRISHNAMURT 2022/04/11	111128122
		APPR: SCHIEN 2022/05/27	PSD ASY A
DRAFT WHERE APPLICABLE MUST REMAIN WITHIN DIMENSIONS	THIRD ANGLE PROJECTION	DRAWING	SERIES
		C-SIZE	111112
		MATERIAL NUMBER	CUSTOMER
		111128122	
		SHEET NUMBER	
		4 OF 5	

