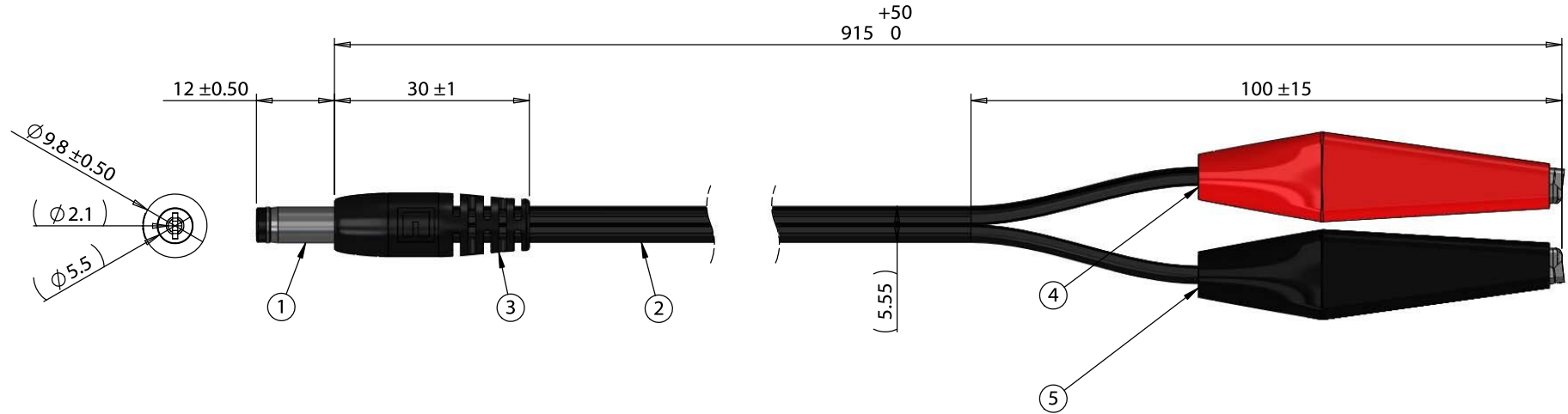


| ITEM NO. | PART NUMBER | DESCRIPTION | QTY. | COMPONENT NOTES |
|----------|-------------|--|------|-----------------|
| 1 | 50-00024 | Connector, dc plug, 5.5x2.1xL23 mm, molding style, spring contacts | 1 | |
| 2 | 30-00242 | Wire, 2C, 18 AWG, UL SPT-1, 300V, 105C, 5.55 mm, VW-1, PVC | 1 | |
| 3 | 24-00201 | Overmold, PVC, dc plug | 1 | black |
| 4 | 50-00555 | Connector, 50 mm, alligator clip, red sleeve | 1 | |
| 5 | 50-00556 | Connector, 50 mm, alligator clip, black sleeve | 1 | |



| Wiring Diagram | | |
|----------------|-------------------|----------------|
| 50-00024 | wire color | alligator clip |
| center | black with tracer | 50-00555/red |
| sleeve | black | 50-00556/black |

| | | | | | |
|-----------|-----------|-----------------|--|--|--|
| Revision: | Date: | Description: | Prepared: | Notes: | <h1>TENSILITY</h1> <p>tel 1.541.323.3228 800 877.670.7118 fax 1.541.323.4202 web tensility.com</p> |
| A | 5/23/2017 | Initial release | PS <small>Digitally signed by PS Date: 2017.07.20 15:54:30 -07'00'</small> | RoHS compliant | |
| | | | Verified: GL <small>Digitally signed by GL Date: 2017.07.21 08:29:37 -07'00'</small> | Function test: no open, no short circuit, no intermittent | |
| | | | Dimensions are in millimeters. Tolerances: X: ± 0.5 mm X.X: ± 0.3 mm X.XX: ± 0.05 mm | Description: Cable, 915 mm, 5.5x2.1 mm 50-00024 dc plug to alligator clips, 18 AWG, 30-00242 wire | |
| | | | | Size: A Part number: 10-02458 | |
| | | | | Scale: 1:1 | Sheet 1 of 1 |