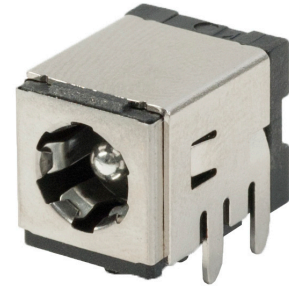


**MODEL:** PJ-082BH | **DESCRIPTION:** DC POWER JACK

**FEATURES**

- 10 A current rating
- shielded
- no internal switch

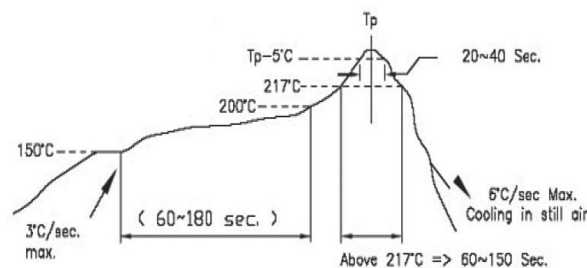

**SPECIFICATIONS**

| parameter                  | conditions/description | min | typ   | max | units  |
|----------------------------|------------------------|-----|-------|-----|--------|
| rated input voltage        |                        |     | 36    |     | Vdc    |
| rated input current        |                        |     |       | 10  | A      |
| contact resistance         |                        |     |       | 30  | mΩ     |
| insulation resistance      | at 500 Vdc             | 100 |       |     | MΩ     |
| voltage withstand          | for 1 minute           |     |       | 500 | Vac    |
| insertion/withdrawal force |                        | 0.3 |       | 3   | kg     |
| operating temperature      |                        | -25 |       | 85  | °C     |
| life                       |                        |     | 5,000 |     | cycles |
| flammability rating        | UL94V-0                |     |       |     |        |
| RoHS                       | yes                    |     |       |     |        |

**SOLDERABILITY**

| parameter                      | conditions/description   | min | typ | max | units |
|--------------------------------|--|-----|-----|-----|-------|
| reel storage                   | 10~30°C, <70% humidity   |     |     |     | °C    |
| reflow soldering <sup>1</sup>  | see reflow profile   | 255 | 260 |     | °C    |
| drying conditions <sup>2</sup> | parts in reel: bake at 110°C for 4 hours<br>parts removed from reel: bake at 110°C for 4 hours |     |     |     |       |

Note: 1. CUI Devices recommends to solder within 72 hours from opening vacuum packaging at a temperature <30°C & relative humidity <60%.  
2. When exceeding floor life by >240 hours.



\* Time 25°C to Peak Temp. ----- 8 Minutes Max.

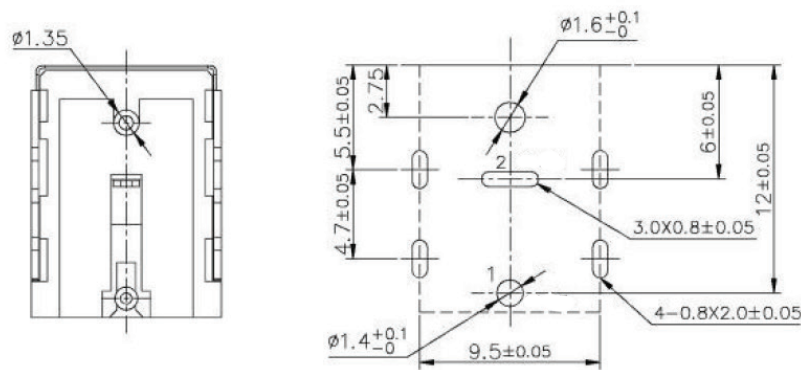
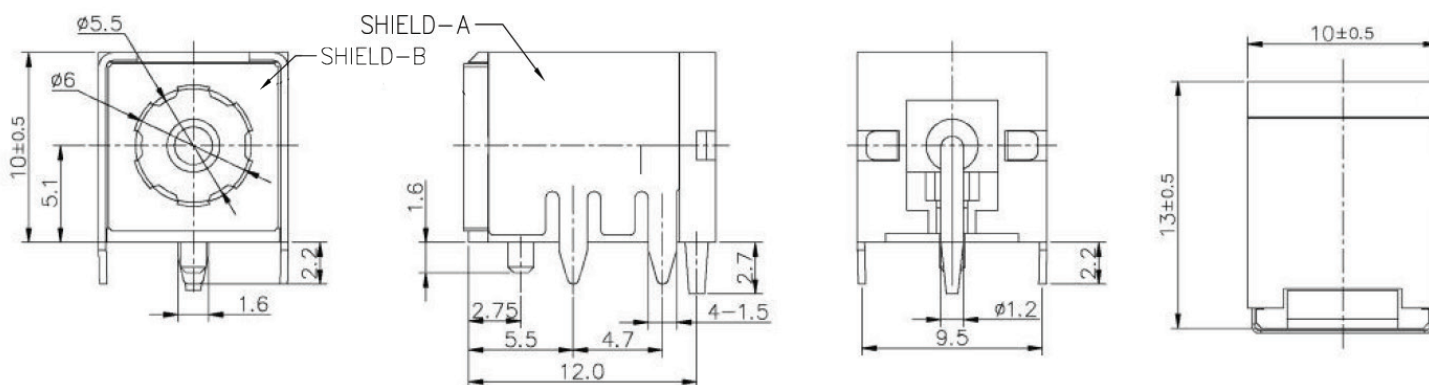
\* Time within 5°C of Actual Peak Temp. -- 20~40 Seconds

## MECHANICAL DRAWING

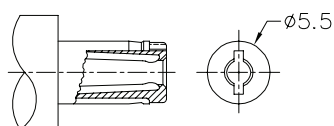
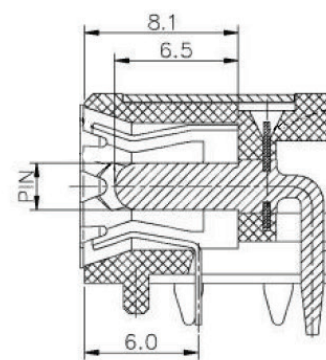
units: mm

tolerance:  
 $X \leq 4.0$ :  $\pm 0.2$  mm  
 $4.0 < X \leq 16$ :  $\pm 0.3$  mm  
 PCB:  $\pm 0.05$  mm

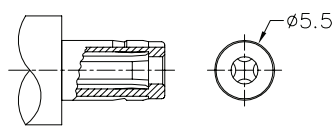
| DESCRIPTION | MATERIAL       | PLATING/COLOR |
|-------------|----------------|---------------|
| terminal 1  | brass          | silver        |
| terminal 2  | copper t=0.30  | silver        |
| stopper     | SUS 301 t=0.30 |               |
| shield A    | SPCC t=0.40    | nickel        |
| shield B    | SUS 301 t=0.15 |               |
| housing     | PA9T (UL94V-0) | black         |



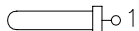

Recommended PCB Layout  
Top View



MATING PLUG  
7 A



MATING PLUG  
10 A

|           |  |
|-----------|--|
| Schematic |  1<br> 2 |
| Model     | Center Pin   |
| PJ-082BH  | $\phi 2.5$ mm  |

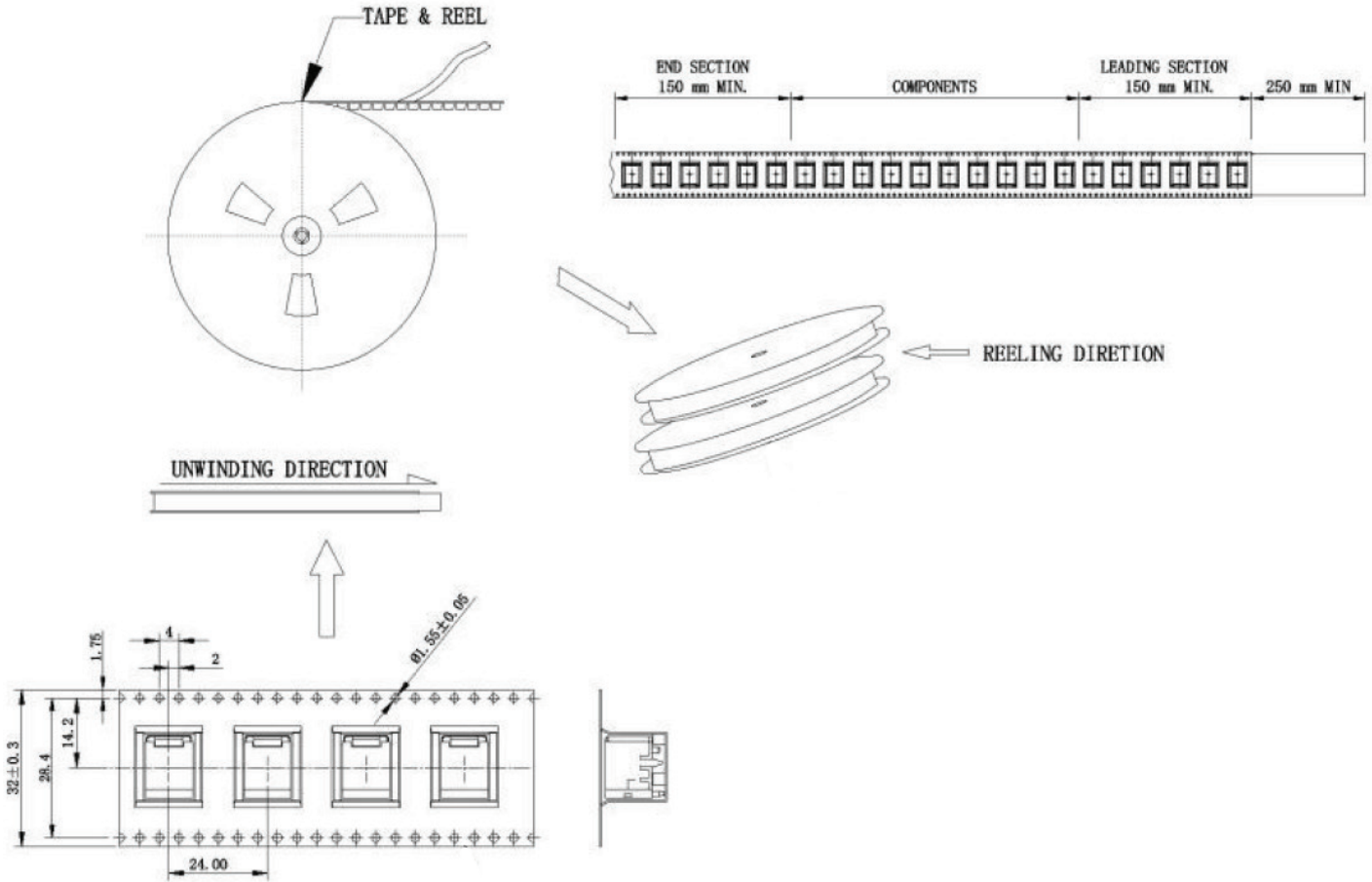
Jack Insertion Depth: 8.1 mm

## PACKAGING

units: mm

Reel Size:  $\varnothing 330$  mm

Reel QTY: 200 pcs per reel



## REVISION HISTORY

| rev. | description  | date       |
|------|--|------------|
| 1.0  | initial release  | 03/23/2012 |
| 1.01 | increased voltage rating   | 05/18/2016 |
| 1.02 | increased voltage rating, added storage and drying conditions, and tape and reel packaging details | 10/06/2017 |
| 1.03 | brand update   | 10/31/2019 |
| 1.04 | product reengineered for improved manufacturability and production yield, see PCN for details      | 01/09/2023 |

The revision history provided is for informational purposes only and is believed to be accurate.



CUI Devices offers a one (1) year limited warranty. Complete warranty information is listed on our website.

CUI Devices reserves the right to make changes to the product at any time without notice. Information provided by CUI Devices is believed to be accurate and reliable. However, no responsibility is assumed by CUI Devices for its use, nor for any infringements of patents or other rights of third parties which may result from its use.

CUI Devices products are not authorized or warranted for use as critical components in equipment that requires an extremely high level of reliability. A critical component is any component of a life support device or system whose failure to perform can be reasonably expected to cause the failure of the life support device or system, or to affect its safety or effectiveness.

[cuidevices.com](http://cuidevices.com)