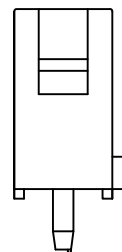
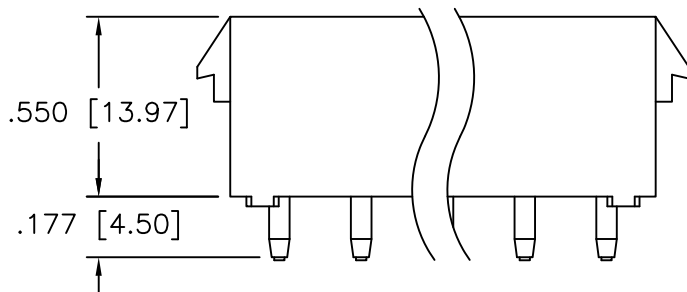
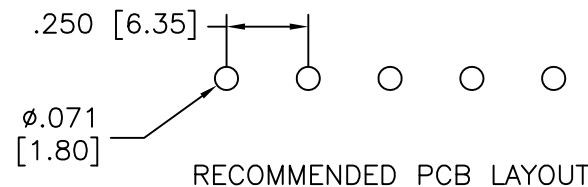
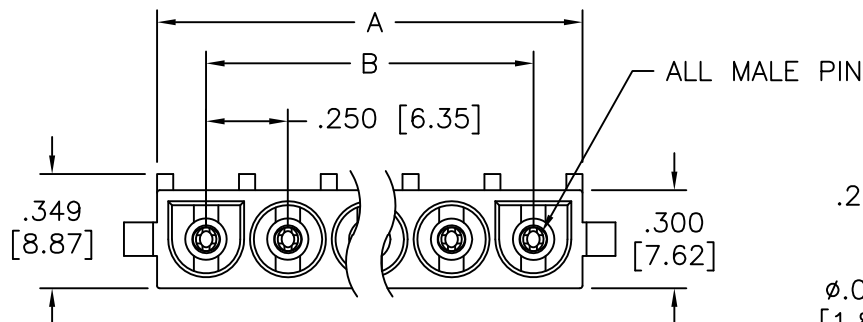


APPROVED: \_\_\_\_\_  
 DATE: \_\_\_\_\_ TITLE: \_\_\_\_\_

Rev	AWO #	Description	Date	Appr
-		RELEASED	9/05/08	
A		REVISED OPERATING TEMP.	2/10/10	
B		REVISED SPEC	9/9/11	



**SPECIFICATIONS:**

Material:  
 Insulator: Nylon 66, rated UL 94V-2  
 Insulator color: Natural  
 Contacts: Brass, Tin plated  
 Electrical:  
 Operating voltage: 600 VAC max  
 Current rating: 13 Amps max.  
 Insulation resistance: 1000 Mohms min @ 500 VDC  
 Dielectric withstanding voltage: 5000 VAC for 1 minute

Mechanical:  
 Temperature Rating:  
 -55°C to +105°C

Environmental:  
 Lead free, RoHS compliant.



Poles: 02 thru 10

$$A = .250 [6.35] \times \text{No. of Positions} + .050 [1.27]$$

$$B = .250 [6.35] \times \text{No. of Spaces}$$

UNLESS OTHERWISE SPECIFIED ALL DIMENSIONS ARE MM [INCHES] TOLERANCES: EXCEPT AS NOTED		<b>ADAM TECH</b> 909 Rahway Avenue, Union, NJ 07083 Phone: 908-687-5000 Fax: 908-687-5710	
INCHES HOLES .X ± .10 Ø.X ± .10 .XX ± .020 Ø.XX ± .015 .XXX ± .015 Ø.XXX ± .010			
APPROVALS		TITLE WIRE TO BOARD, FEMALE, 6.35mm PITCH WITHOUT POLARIZING, SINGLE ROW TYPE	
DRAWN	DY	DATE 9/05/08	
CHECKED		SIZE X	PART NO. DME-XX-S-S
APPROVED		REV. B	
REF: S00004T		SCALE: NTS	SHEET 1 OF 1