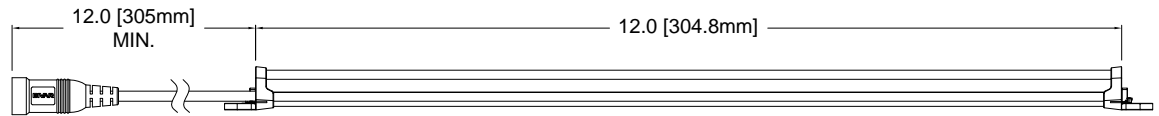
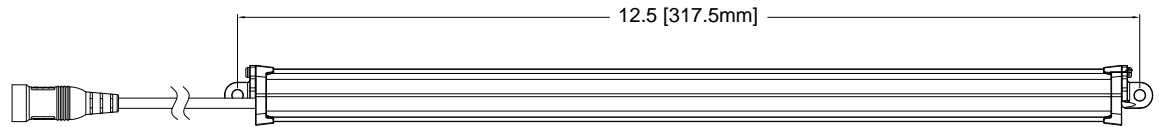
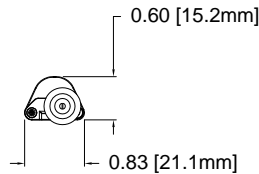
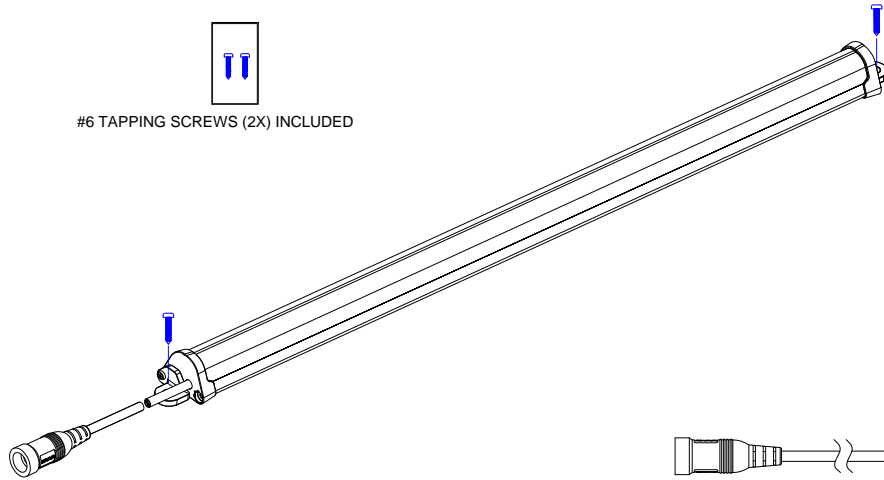


| REV. | DESCRIPTION         | DATE     | APPROVED |
|------|---------------------|----------|----------|
| A    | Engineering Release | 06/11/18 | G.O.     |
|      |                     |          |          |
|      |                     |          |          |
|      |                     |          |          |



#6 TAPPING SCREWS (2X) INCLUDED



## NOTES

1. Power Input: 24VDC, Constant Voltage
2. Power Consumption: 2.0 Watts
3. White Color Temperature: 2700K Soft White
4. Output Projection: 120° FWHM
5. Luminous Output: 180 Lumens
6. Housing Color: Black
7. Operating Temperature: 0C ~ +40C
8. For Use in Dry Locations Only



**Mating Connector:**  
5.5 x 2.1 x 11mm DC Plug

|  |         |  |                   |                        |                |
|--|---------|--|-------------------|------------------------|----------------|
| STANDARD TOLERANCE<br>(UNLESS OTHERWISE SPECIFIED) |         | <br>4 THOMAS, IRVINE, CA. 92618<br>TEL: (949) 951-8808 FAX: (949) 951-3974 |                   |                        |                |
| DECIMALS   | ANGULAR |  |                   |                        |                |
| .X ± .1  | X° ± 1° | <br>TITLE: BP3100 SERIES LIGHT,<br>SURFACE MOUNT, SOFT WHITE               |                   |                        |                |
| .XX ± .02  |         |  |                   |                        |                |
| .XXX ± .010  |         | DESIGNED:<br>K. BARON  | DATE:<br>06/11/18 | PART NO:<br>BP3100-S-S | REVISION:<br>A |
|  |         | REVISED:<br>N/A  | DATE:<br>N/A      | CAGE CODE:<br>32559    |                |
|  |         | CHECKED:<br>TD. NGUYEN   | DATE:<br>06/11/18 | SCALE: NONE            | SHEET # 1 OF 1 |
| CAD GENERATED DOCUMENT, DO NOT MEASURE DRAWING     |         |  |                   |                        |                |