

Fiber optic - HS LC-H-D3/ R1XC1 - 2202313

Please be informed that the data shown in this PDF Document is generated from our Online Catalog. Please find the complete data in the user's documentation. Our General Terms of Use for Downloads are valid (<http://phoenixcontact.com/download>)



Light guides, passive, rigid, can be used for the ME, ME-MAX, ME-IO, ME PLC, and EH housing ranges (housing must be processed)

Your advantages

- Light guides are perfectly matched to electronics housings
- Easy mounting on the PCB using press pins
- Resistance to ESD
- Housing processing available on request

Key Commercial Data

| | |
|------------------------|---------------|
| Packing unit | 100 pc |
| Minimum order quantity | 100 pc |
| GTIN | |
| GTIN | 4055626049946 |

Technical data

Product properties

| | |
|---------------------------|-------------------|
| Brief article description | Fiber optic |
| Type | HS LC-H-D3/ R1XC1 |
| Order No. | 2202313 |
| Type | passive, rigid |
| Alignment | Horizontal |
| Head form | Round, planar |

Dimensions

| | |
|---------------|---|
| Caption | Details on positioning inside the electronics housing can be found in the download area under "Design-In" |
| Diameter | 3 mm |
| Hole diameter | 2.4 mm |

Fiber optic - HS LC-H-D3/ R1XC1 - 2202313

Technical data

Material specifications

| | |
|-------------|-------------|
| Material | PMMA |
| Color (RAL) | transparent |

Ambient conditions

| | |
|---------------------------------|------------------|
| Ambient temperature (operation) | -40 °C ... 85 °C |
|---------------------------------|------------------|

General information

| | |
|--------------|---|
| Type of note | Assembly instruction: |
| Note | Refer to the data sheet for the range in the download area. |

Packaging details

| | |
|----------------------------|------|
| Pieces per package | 100 |
| Denomination packing units | Pcs. |

Standards and Regulations

| | |
|--|----|
| Flammability rating according to UL 94 | HB |
|--|----|

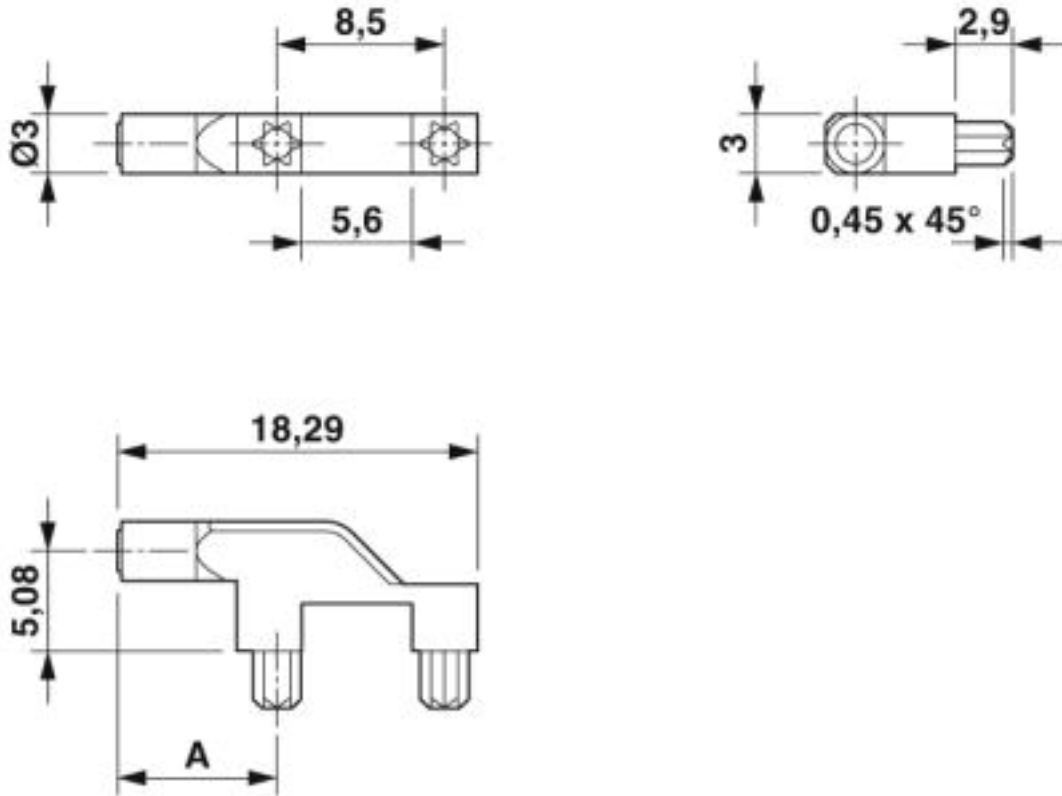
Environmental Product Compliance

| | |
|------------|---|
| China RoHS | Environmentally friendly use period: unlimited = EFUP-e |
| | No hazardous substances above threshold values |

Drawings

Fiber optic - HS LC-H-D3/ R1XC1 - 2202313

Dimensional drawing



Details on positioning inside the electronics housing can be found in the download area under "Design-In"

Approvals

Approvals

Approvals

EAC

Ex Approvals

Approval details

| | | |
|-----|--|---------|
| EAC | | B.01742 |
|-----|--|---------|



Phoenix Contact 2019 © - all rights reserved
<http://www.phoenixcontact.com>

PHOENIX CONTACT GmbH & Co. KG
Flachsmarktstr. 8
32825 Blomberg
Germany
Tel. +49 5235 300
Fax +49 5235 3 41200
<http://www.phoenixcontact.com>