

THIS DRAWING IS UNPUBLISHED. RELEASED FOR PUBLICATION 20  
 © COPYRIGHT 20 BY - ALL RIGHTS RESERVED.

REVISIONS				
P	LTR	DESCRIPTION	DATE	APVD
A		INITIAL RELEASE	08JUN2021	BP CW

TECHNICAL DATA	T411100X02X-000	T411100X03X-000	T411100X04X-000	T411100X05X-000	T411100X08X-000
RATED VOLTAGE	250V	250V	250V	60V	30V
RATED CURRENT	4A	4A	4A	4A	2A
POLLUTION DEGREE	3	3	3	3	3
OVERVOLTAGE CATEGORY	II	II	II	II	II
MATERIAL GROUP	II	II	II	II	II
INSULATION RESISTANCE	>100MΩ	>100MΩ	>100MΩ	>100MΩ	>100MΩ
DEGREE OF PROTECTION	IP67	IP67	IP67	IP67	IP67
OPERATION TEMPERATURE	-40~85°C	-40~85°C	-40~85°C	-40~85°C	-40~85°C

- NOTE:
- MATERIAL:
    - ITEM NO.1:NUT -BRASS
    - ITEM NO.2:HOUSING -PA
    - ITEM NO.3:CONTACT -BRASS
    - ITEM NO.4: HOUSING BODY: -PBT+GF
  - CONTACT FINISH:
    - GOLD OVER NICKEL OR SILVER OVER NICKEL
  - CABLE WIRES:
    - 18AWG/0.75mm<sup>2</sup> Max. FOR 2-5 PINS
    - 20AWG/0.50mm<sup>2</sup> Max. FOR 8 PINS
  - ALL DIMENSIONS ARE FOR NOMINAL REFERENCE ONLY UNLESS OTHERWISE STATED
  - PACKAGEING: 1PIECE IN A BAG
  - PN INFORMATION

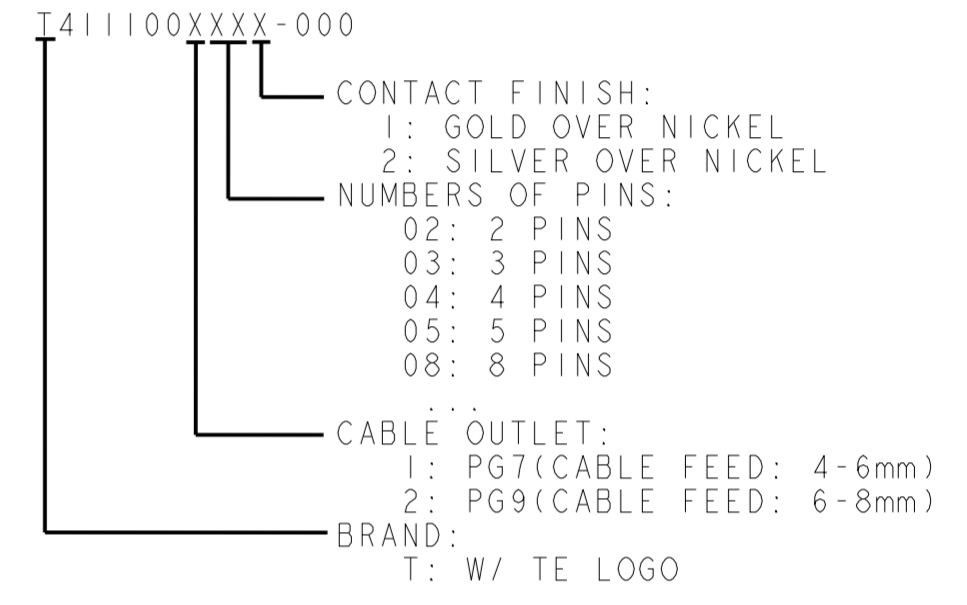
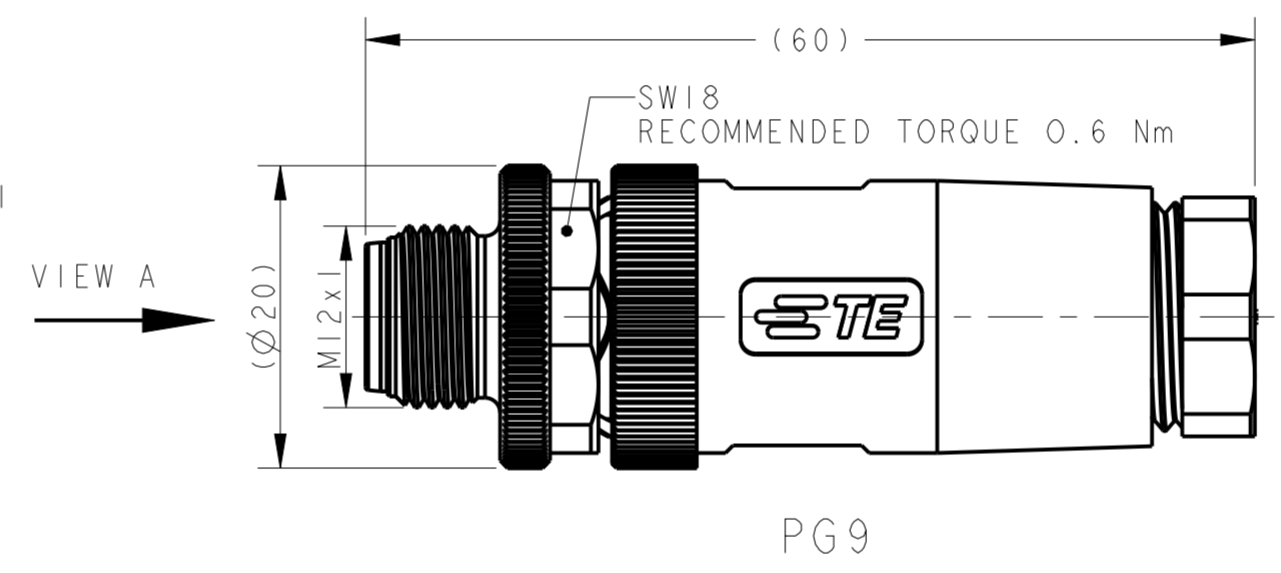
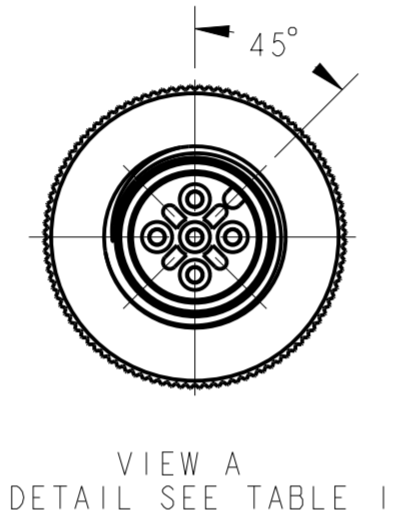
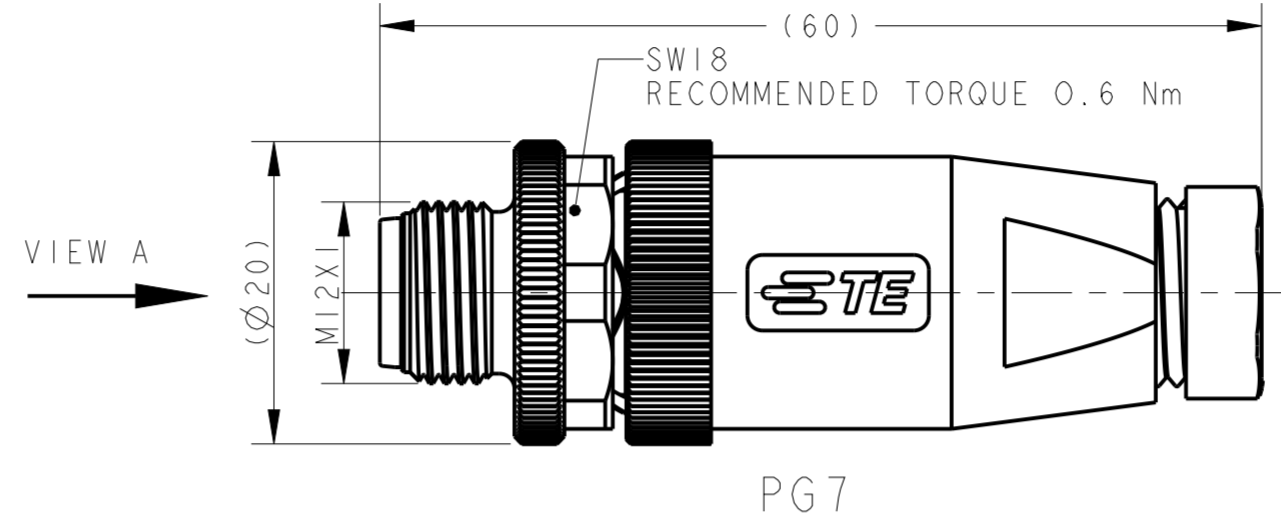
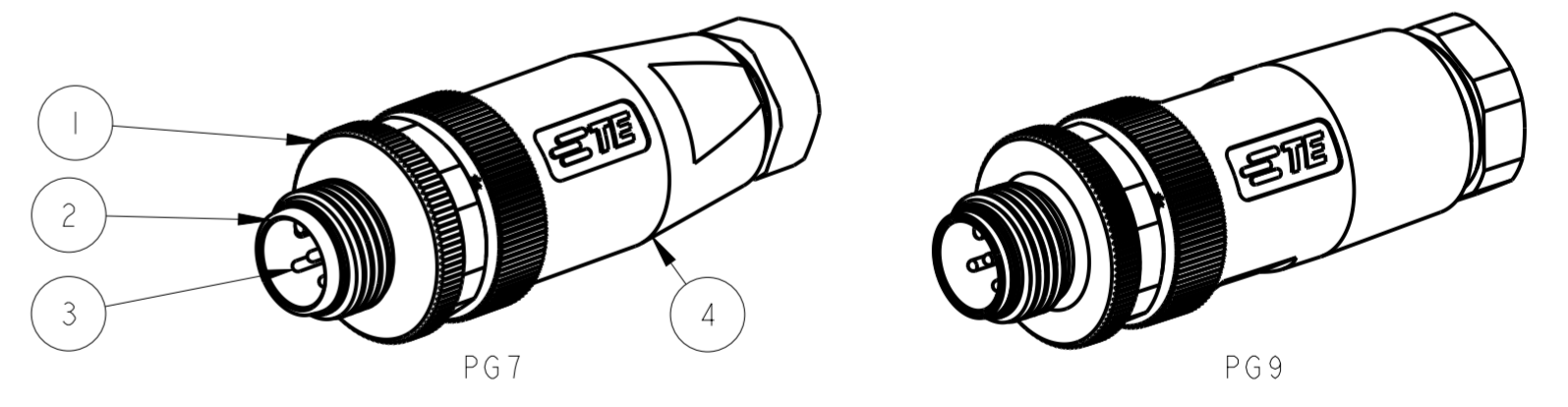


TABLE I PIN ARRANGEMENT A-CODE		
T411100X02X-000	T411100X03X-000	T411100X04X-000
T411100X05X-000	T411100208X-000	



DESCRIPTION	TE PN	ENTRELEC PN
M12-MS-4CON-PG7-MU	T4111001041-000	ISET310309R0000
M12-MS-5CON-PG7-MU	T4111001051-000	ISET310311R0000
M12-MS-4CON-PG9-MU	T4111002041-000	ISET310319R0000
M12-MS-5CON-PG9-MU	T4111002051-000	ISET310321R0000
M12-MS-8CON-PG9-MU	T4111002081-000	ISET310323R0000

THIS DRAWING IS A CONTROLLED DOCUMENT.

DWN: BLAZE PENG 08JUN2021  
 CHK: KEVIN HUANG 08JUN2021  
 APVD: CHRIS WANG 08JUN2021

**ENTRELEC**  
Electrical Solutions

NAME: M12 MALE, A CODE, STRAIGHT UNSHIELDED CONNECTOR SCREW TERMINAL

PRODUCT SPEC: 108-106140  
 APPLICATION SPEC: 114-137144

SIZE: A2 CAGE CODE: - DRAWING NO: C-ISET311F07R0000 RESTRICTED TO: -

MATERIAL: - DIMENSIONS: mm TOLERANCES UNLESS OTHERWISE SPECIFIED: 0 PLC ±0.2 1 PLC ±0.2 2 PLC ±0.2 3 PLC ± 4 PLC ± ANGLES ± FINISH -

Customer Drawing SCALE: 1:1 SHEET OF REV: A