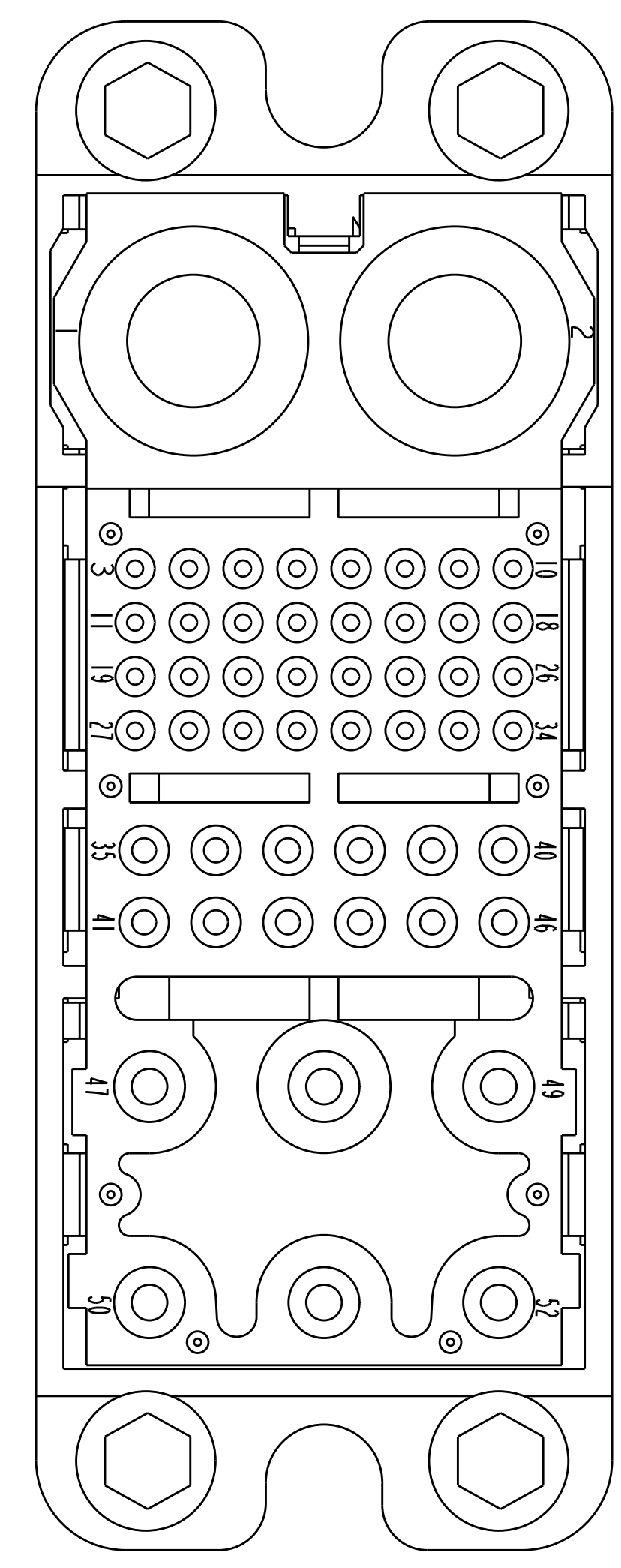
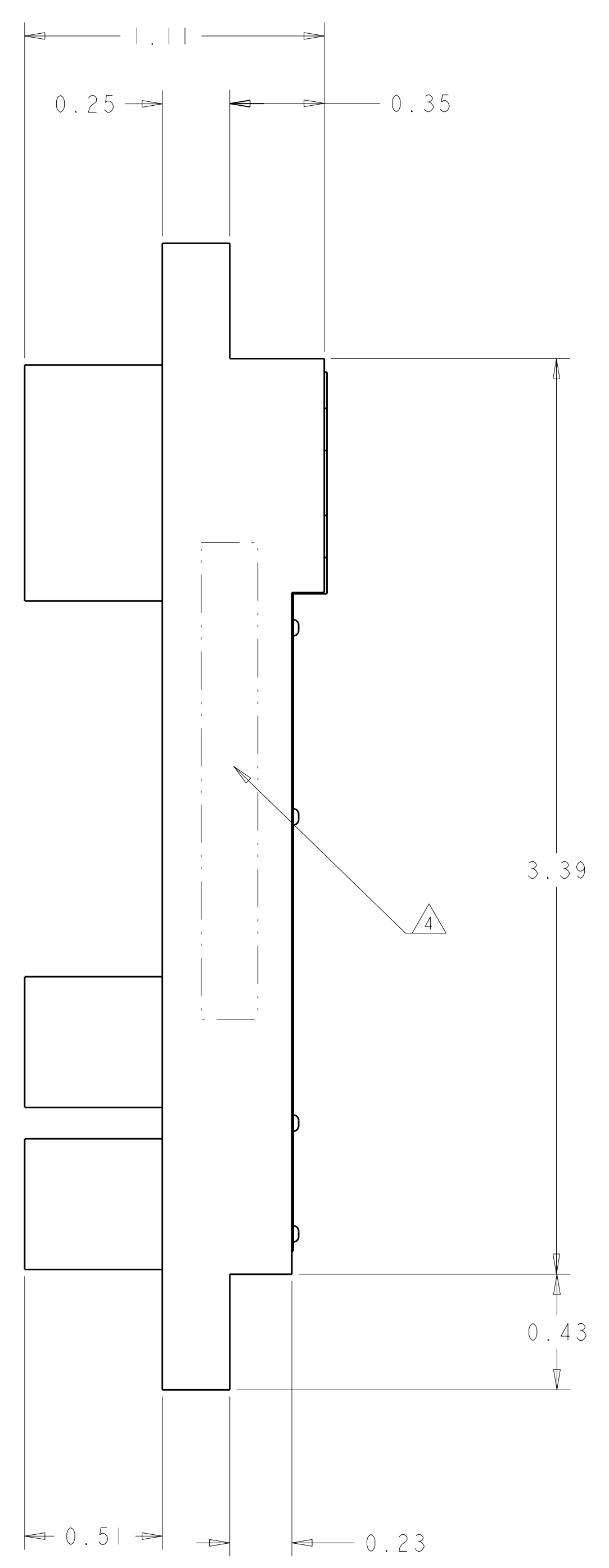
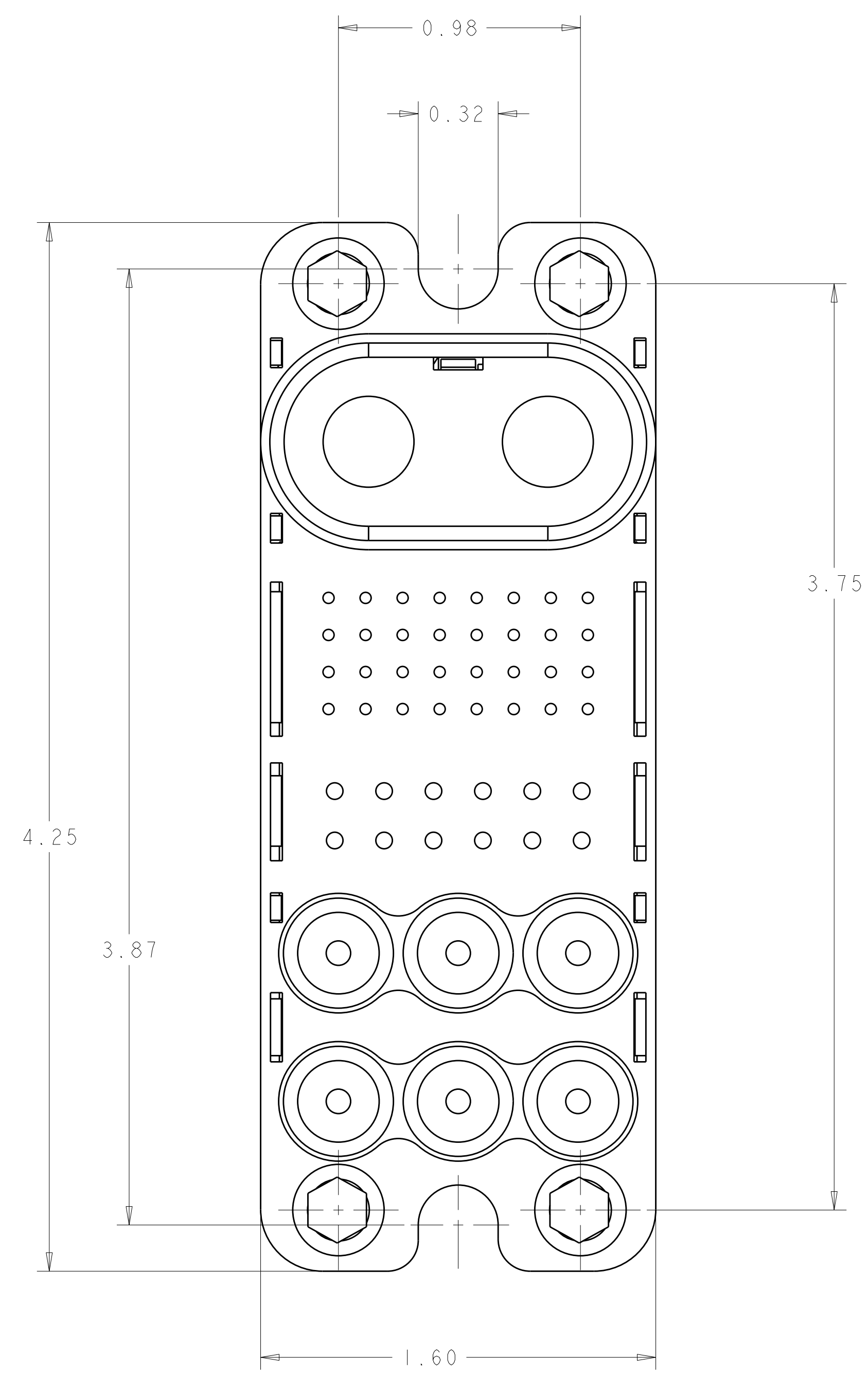


| LOC | DIST | REVISIONS |     |                       |           |     |      |
|-----|------|-----------|-----|-----------------------|-----------|-----|------|
| GP  | 00   | P         | LTR | DESCRIPTION           | DATE      | DWN | APVD |
|     |      | A         |     | RELEASED              | 20FEB2008 | RG  | DO   |
|     |      | B         |     | REV PER ECO-09-010463 | 30APR2009 | RG  | DO   |

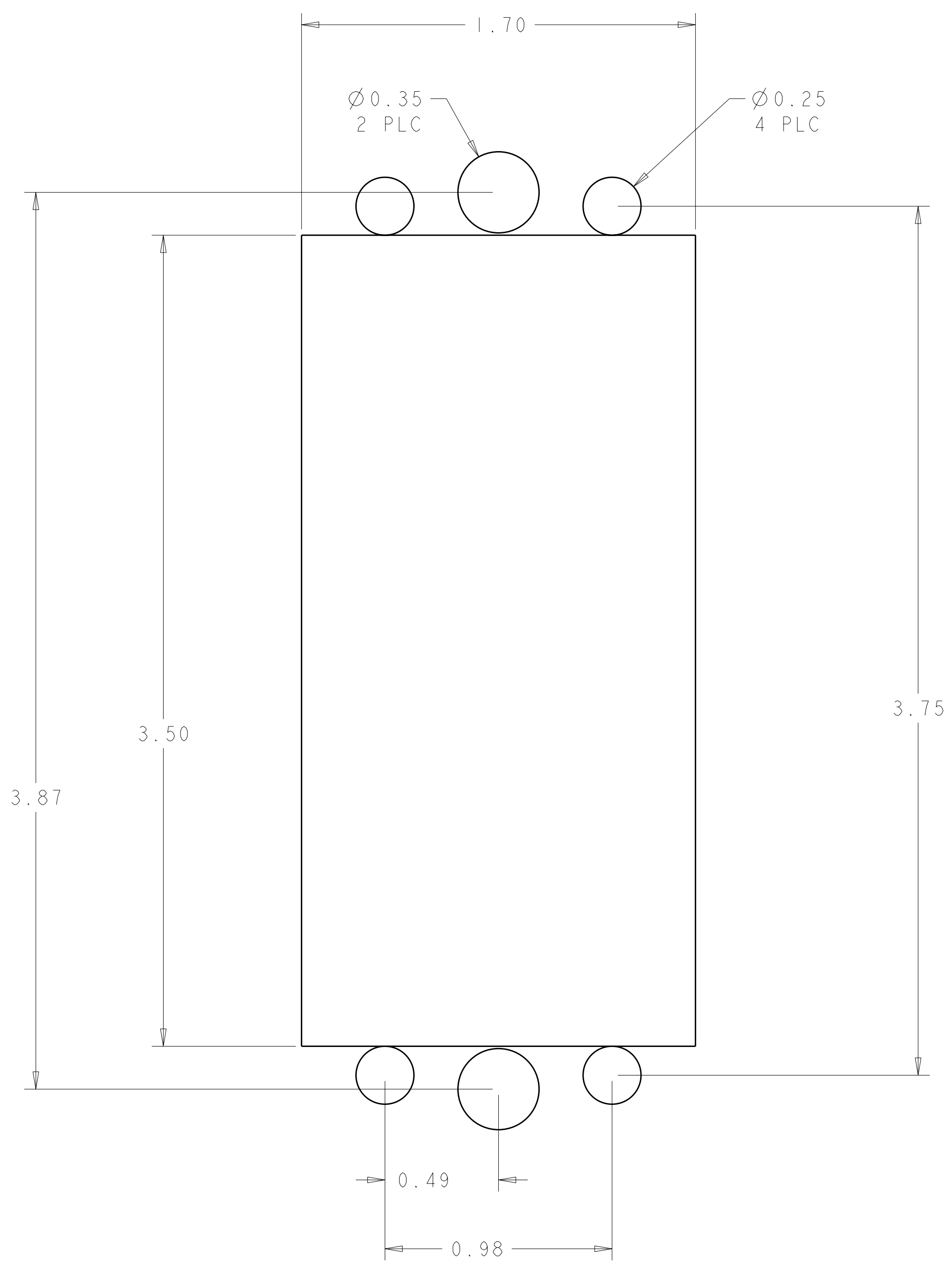


|    |             |                               |      |
|----|-------------|-------------------------------|------|
| 2  | 1650399-1   | SHOULDER SCREW, #10-32 UNF 2A | E    |
| 4  | 1766193-1   | CONTACT, PIN, #12, CRIMP, STD | D    |
| 8  | 1766194-1   | CONTACT, PIN, #16, CRIMP, STD | C    |
| 30 | 1650155-1   | CONTACT, PIN, #20, CRIMP, STD | B    |
| 1  | 1648183-2   | CONNECTOR, PIN                | A    |
| -1 | PART NUMBER | DESCRIPTION                   | ITEM |

**ELCON DRAWER**

|                           |  |   |  |   |  |   |  |
|---------------------------|--|---|--|---|--|---|--|
| DIMENSIONS:<br>INCHES<br> |  | TOLERANCES UNLESS OTHERWISE SPECIFIED:<br>9 PLC ±.<br>1 PLC ±.02<br>2 PLC ±.010<br>4 PLC ±.<br>ANGLES ±.5 |  | DWN R. GRZYBOWSKI 6FEB2008<br>CHK D. ORRIS 6FEB2008<br>APVD S. FLICKINGER 6FEB2008                  |  | Tyco Electronics<br>Harrisburg, PA 17105-3608 |  |
| MATERIAL: -<br>FINISH: -  |  | WEIGHT: -<br>CUSTOMER DRAWING   |  | NAME: CONNECTOR, PIN TOP DRAWER<br>SIZE: CAGE CODE DRAWING NO: A100779C-1926770<br>RESTRICTED TO: - |  | SCALE: 4:1 SHEET 1 OF 2 REV B                 |  |

| LOC | DIST | REVISIONS   |      |     |      |
|-----|------|-------------|------|-----|------|
| P   | LTR  | DESCRIPTION | DATE | DWN | APVD |
| GP  | 00   | SEE SHEET 1 | -    | -   | -    |
|     |      |             |      |     |      |
|     |      |             |      |     |      |



SUGGESTED PANEL CUTOUT  
 VIEWED FROM CONNECTOR MOUNTING SIDE

- PART NUMBER CHANGES AND OR DESIGN CHANGES AFFECTING THE INTERCHANGEABILITY REQUIRE PRIOR TYCO APPROVAL AND AUTHORIZATION BY REVISION TO THIS DRAWING.
  - MATERIAL:  
 INSULATOR: THERMOPLASTIC, GLASS REINFORCED, FLAMMABILITY RATED, COLOR: BLACK  
 PIN CONTACT: COPPER ALLOY  
 RETENTION CLIP: BERYLLIUM COPPER OR STAINLESS STEEL
  - FINISH:  
 PIN CONTACT SIZE No. 20: GOLD PLATE .000010 MIN. THK. OVER NICKEL .000050 MIN. THK.  
 PIN CONTACT SIZE No. 12 & 16: SILVER PLATE .000200 MIN THK. OVER NICKEL .000040 MIN THK.
- 4 ITEMS PROVIDED TO THIS SPECIFICATION TO BE PERMANENTLY IDENTIFIED PER THE FOLLOWING IDENTIFIER:
- TYCO ELECTRONICS P/N                      DATE CODE (e.g. 0216)  
 XXXXXXX-X                                      XXXX
- 5 CRIMP CONTACTS, SHOULDER SCREWS (ITEM B, C, D & E) SHALL BE PACKAGED SEPARATELY AND PLACED IN THE BOX WITH THE CONN. ASSEMBLY.

|   |   |  |   |
|---|---|--|---|
| <small>THIS DRAWING IS UNPUBLISHED. RELEASED FOR PUBLICATION BY TYCO ELECTRONICS CORPORATION. THIS IS SUBJECT TO CHANGE WITHOUT NOTICE AND WITHOUT OBLIGATION. DIMENSIONS SHALL BE CONTACTED FOR THE LATEST REVISION.</small> |   | DWN R. GRZYBOWSKI 6FEB2008<br>CHK D. ORRIS 6FEB2008<br>APVD S. FLICKINGER 6FEB2008 | Tyco Electronics<br>Harrisburg, PA 17105-3608 |
| DIMENSIONS:<br>INCHES   | TOLERANCES UNLESS OTHERWISE SPECIFIED:<br>0 PLC ±.<br>1 PLC ±.<br>2 PLC ±.02<br>3 PLC ±.010<br>4 PLC ±.<br>ANGLES ±.5 | NAME<br>PRODUCT SPEC<br>APPLICATION SPEC   | NAME<br>CONNECTOR, PIN TOP DRAWER             |
| MATERIAL<br>FINISH  | WEIGHT<br>CUSTOMER DRAWING  | SIZE CAGE CODE DRAWING NO<br>A100779C-1926770                                      | RESTRICTED TO<br>SCALE 4:1 SHEET 2 OF 2 REV B |