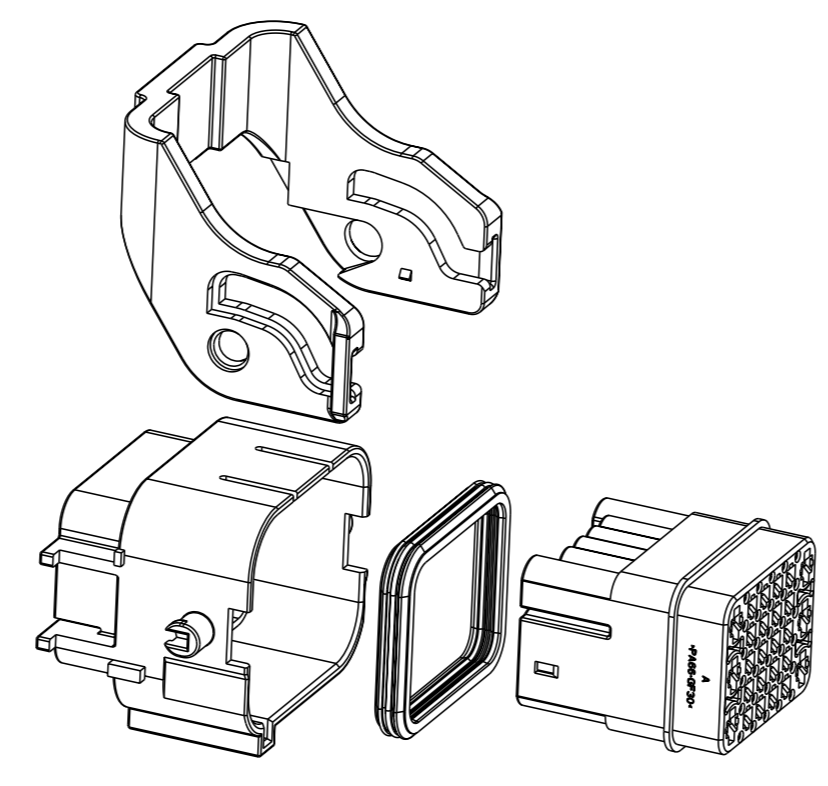
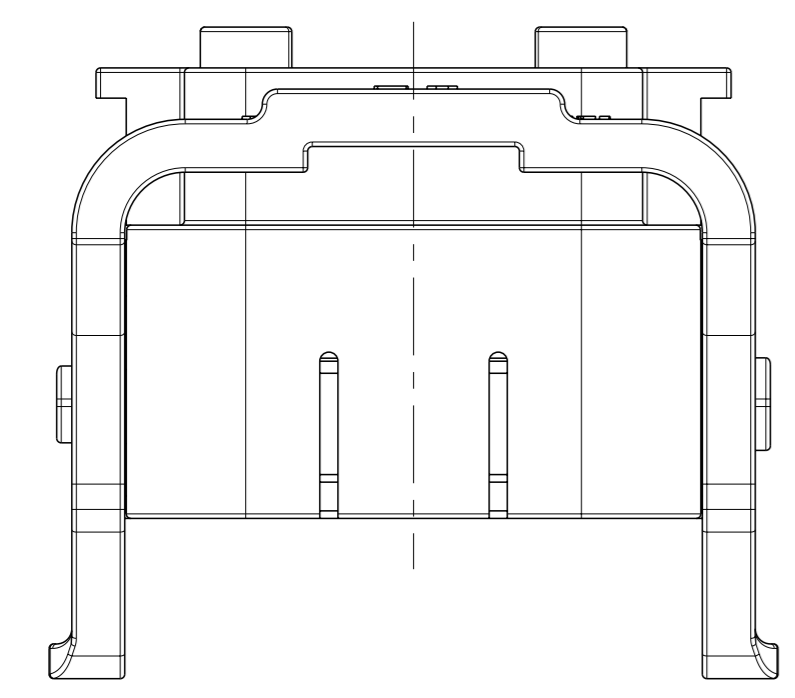
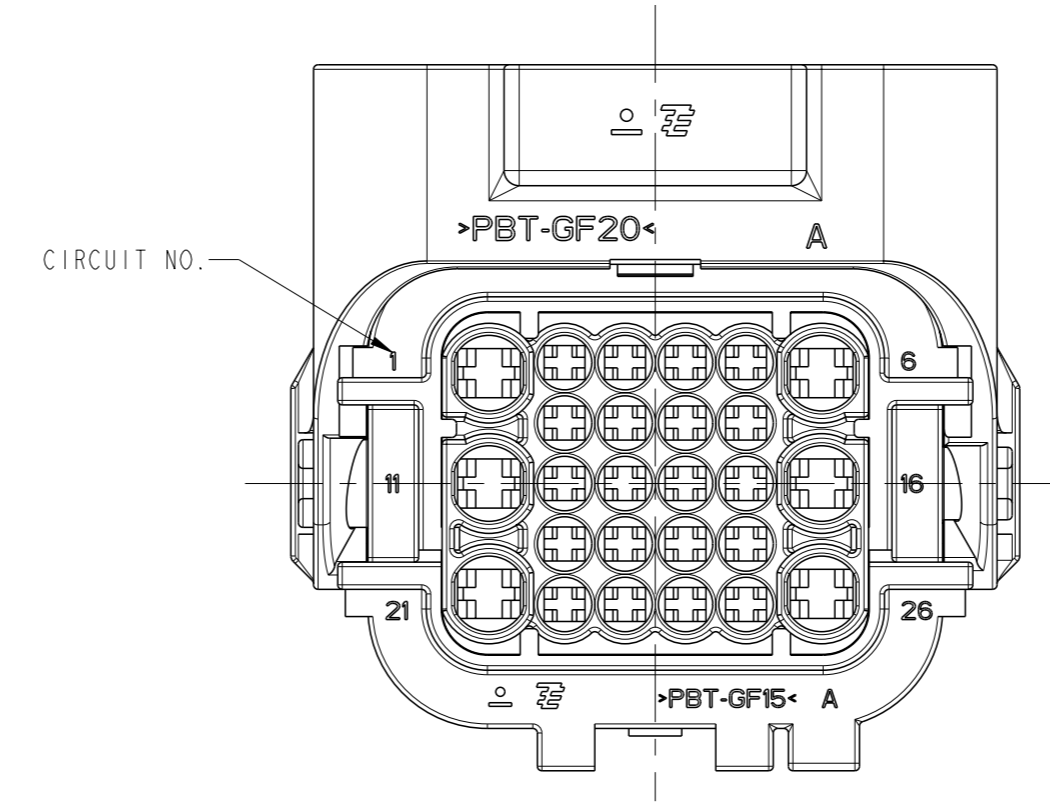
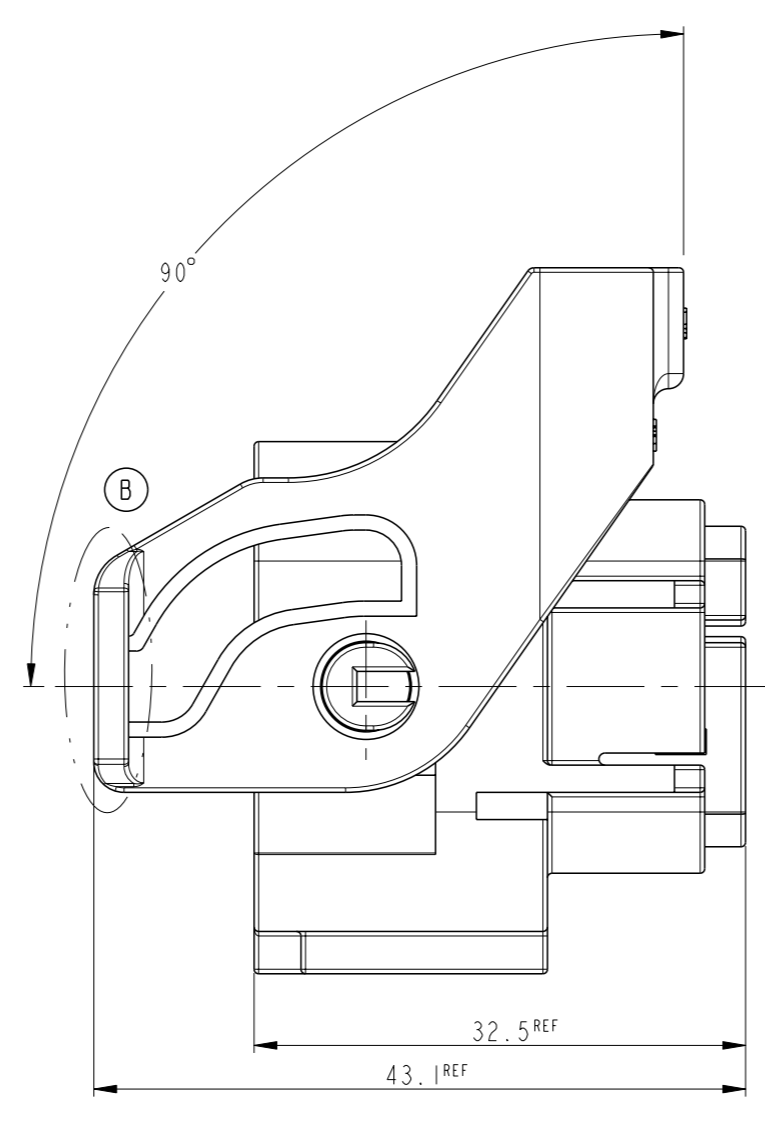
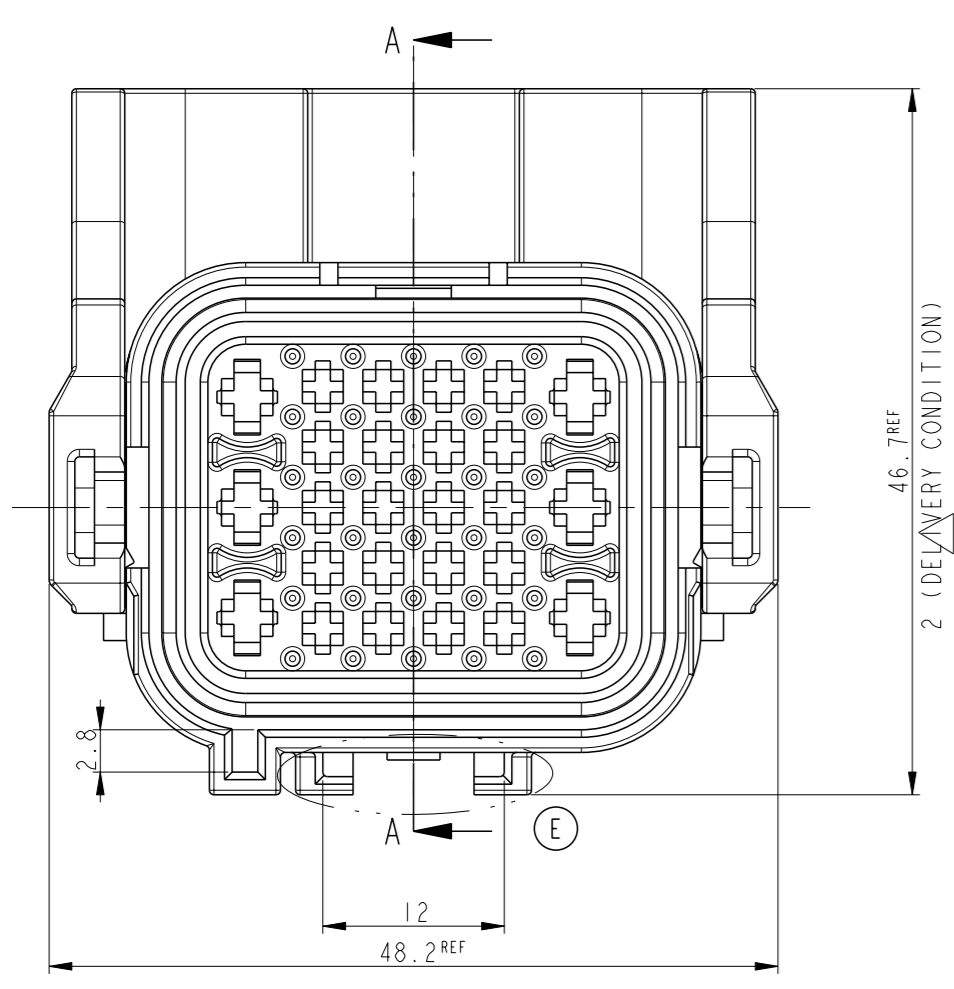
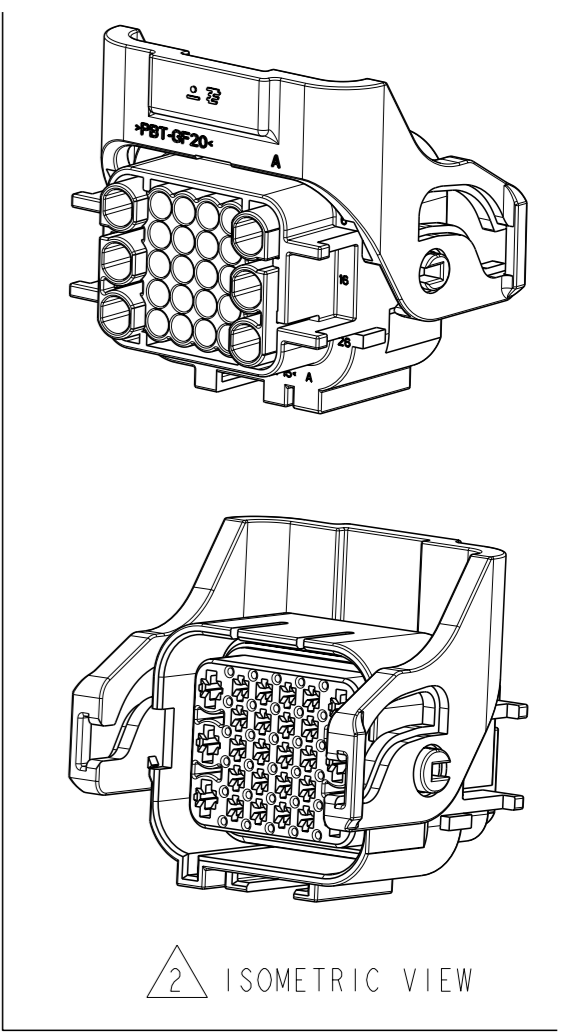
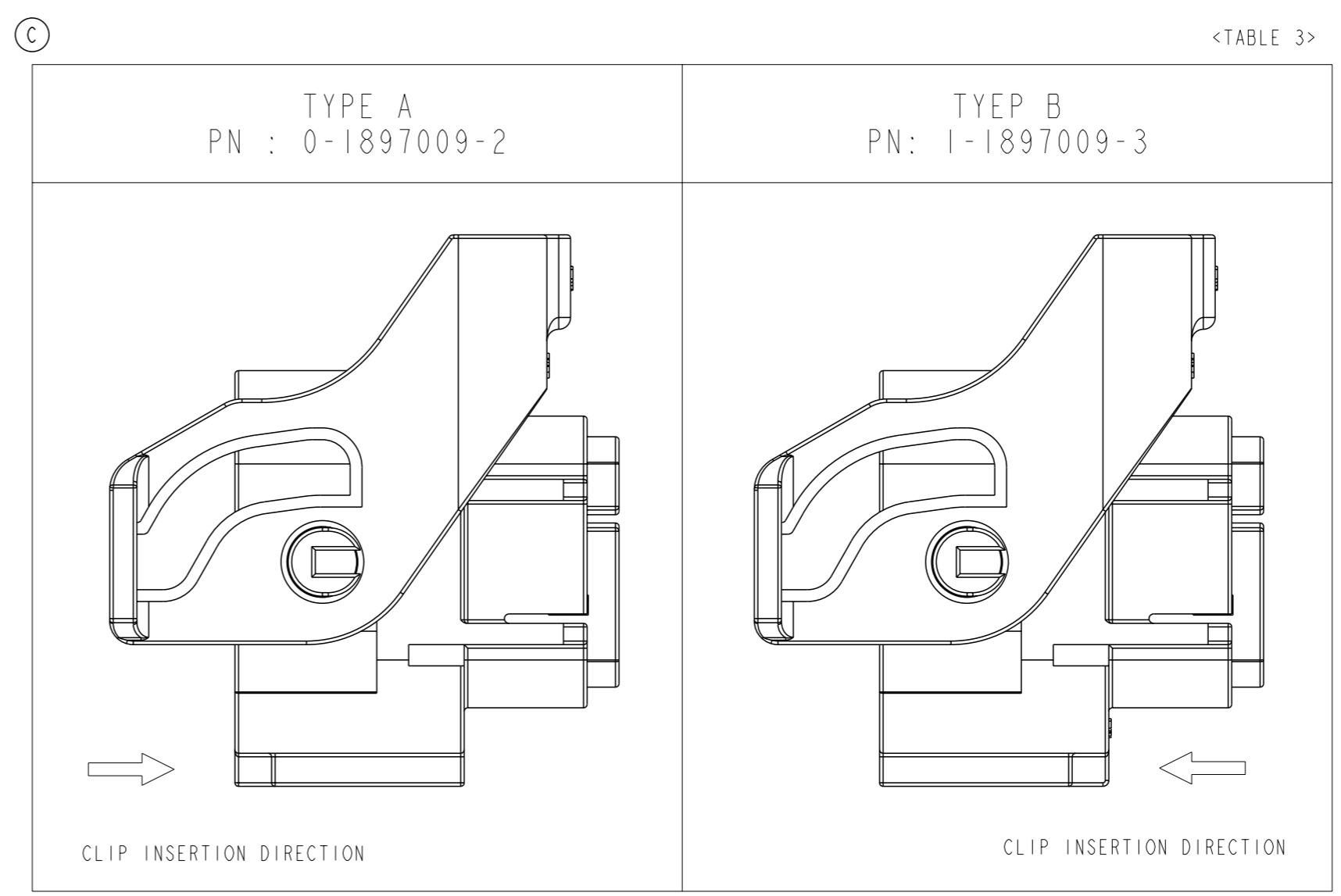


REVISIONS				
P	LY#	DESCRIPTION	DATE	OWN APVD
C		REVISED (ECR-16-009958)	31OCT2016	SJ JW
D		REVISED (ECR-16-016370)	21NOV2016	JM KT
E		REVISED (ECR-17-010547)	19JUL2017	SJ KT



3D EXPLODE VIEW (SCALE 1:1)

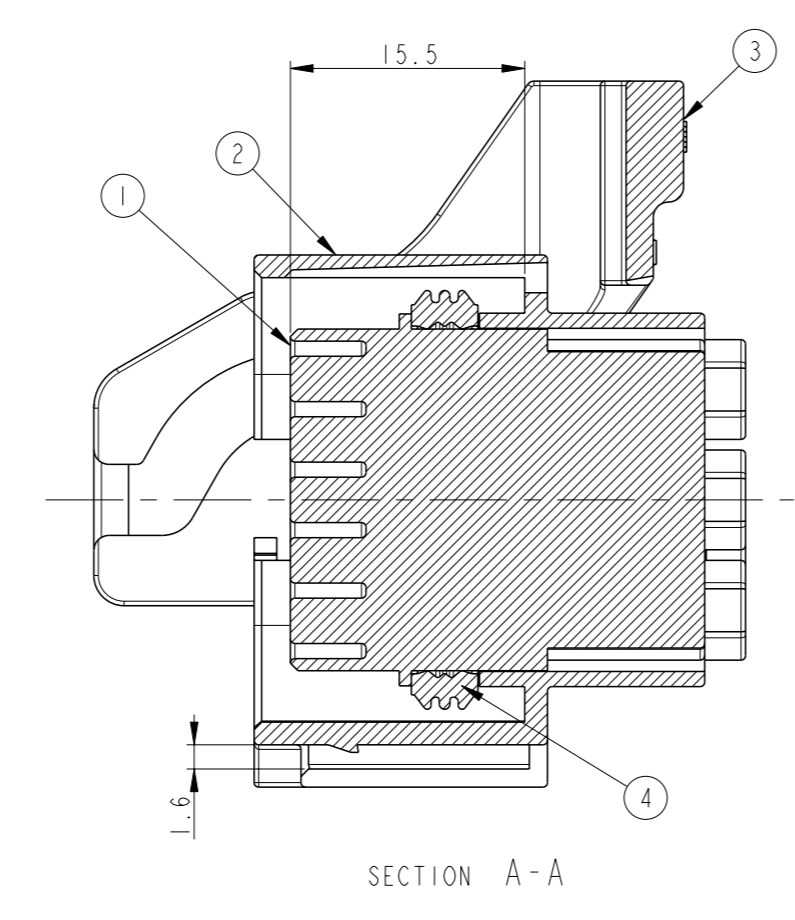
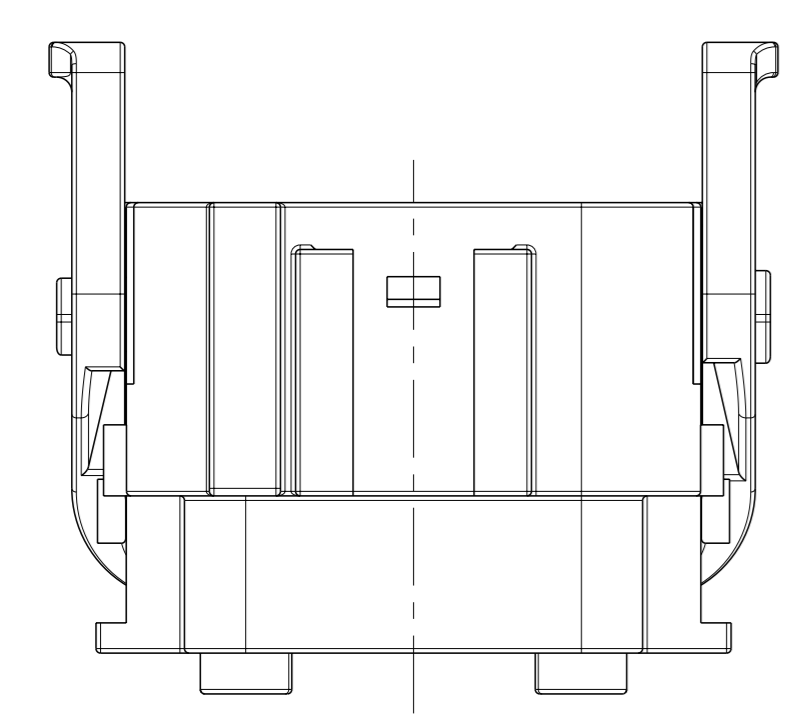


<TABLE 1>

TYPE	PART NO.	WIRE SIZE(mm ²)	Insulation DIA(mm)	Applicable WIRE(Reference)	FINISH
MTII	0-962875-1	0.2-0.5	1.2-1.6	AVSSXF 0.5 Max	CuSn4
	0-962875-3				CuSn4(GOLD)
	0-962876-1	0.5-1.0	1.4-2.1	AVSSXF 0.85 Max	CuSn4
0-962876-3	CuSn4(GOLD)				
JPT	0-927770-3	0.5-1.0	1.4-2.1	FLK 1.0 Max	CuSn4
	2-927770-1				CuSn4(GOLD)
	0-927766-3	1.0-2.5	2.2-3.0	AVSS 2.0 Max or FLR 2.5 Max	CuSn4
	2-927766-1				CuSn4(GOLD)

<TABLE 2>

TYPE	PART NO.	WIRE INSULATION DIAMETER(mm)	COLOR
MTII	964971-1	1.2-1.6	RED
	963530-1	1.4-1.9	GRAY
	964972-1	1.9-2.1	YELLOW
	963531-1	CAVITY PLUG	WHITE
JPT	828904-2	1.2-2.1	BLUE
	828905-1	2.2-3.0	WHITE
	828922-1	CAVITY PLUG	NATURAL



- NOTE
- GENERAL TOLERANCE: ±0.3, ±3°
 - DELIVERY CONDITION
 - APPLIED CAP P/N: X-1897013-X
APPLIED WIRE COVER P/N: X-1897014-X
 - APPLICABLE RECEPTACLE CONTACT P/N: TABLE 1
 - APPLICABLE WIRE SEAL P/N: TABLE 2
 - CLIP INSERTION DIRECTION : TABLE 3

NO	DESCRIPTION	MATERIAL	COLOR	Q'TY
④	INNER SEAL	SILICONE	RED ORANGE	1
③	LEVER HSG	PBT-GF20	GRAY	1
②	MAIN PLUG HSG - TYPE B	PBT-GF15	GRAY	-
	MAIN PLUG HSG - TYPE A	PBT-GF15	BLACK	-
①	FRONT PLUG HSG	PA66-GF30	BLACK	1

THIS DRAWING IS A CONTROLLED DOCUMENT. DIMENSIONS: mm. TOLERANCES UNLESS OTHERWISE SPECIFIED: 0 PLC ±, 1 PLC ±, 2 PLC ±, 3 PLC ±, 4 BCC ±, ANGLES FINISH *.

OWN: CH PARK, CHK: YM CHOI, APVD: JK SONG, PRODUCT SPEC.

NAME: PLUG ASS'Y FOR MTII JPT SLD 26P

SIZE: A1, CAGE CODE: 00779, DRAWING NO: 1897009

RESTRICTED TO: -

CUSTOMER DRAWING, SCALE: 2:1, SHEET: 1 OF 1, REV: E