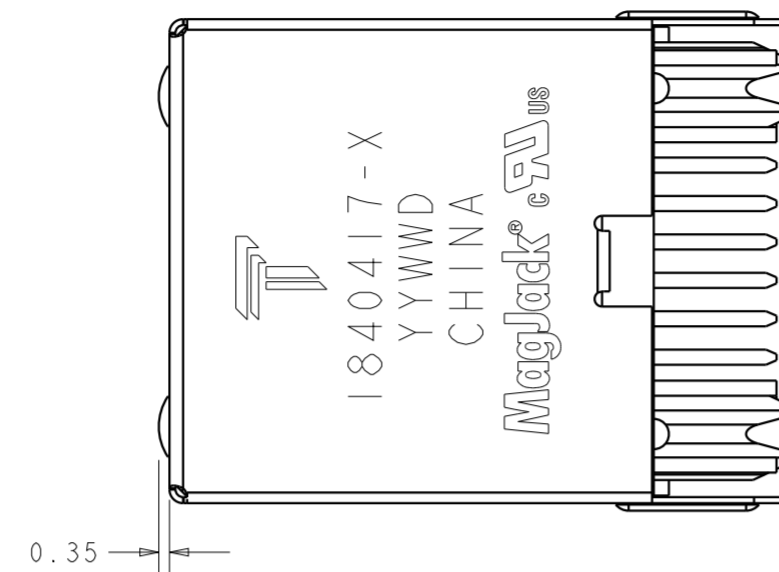
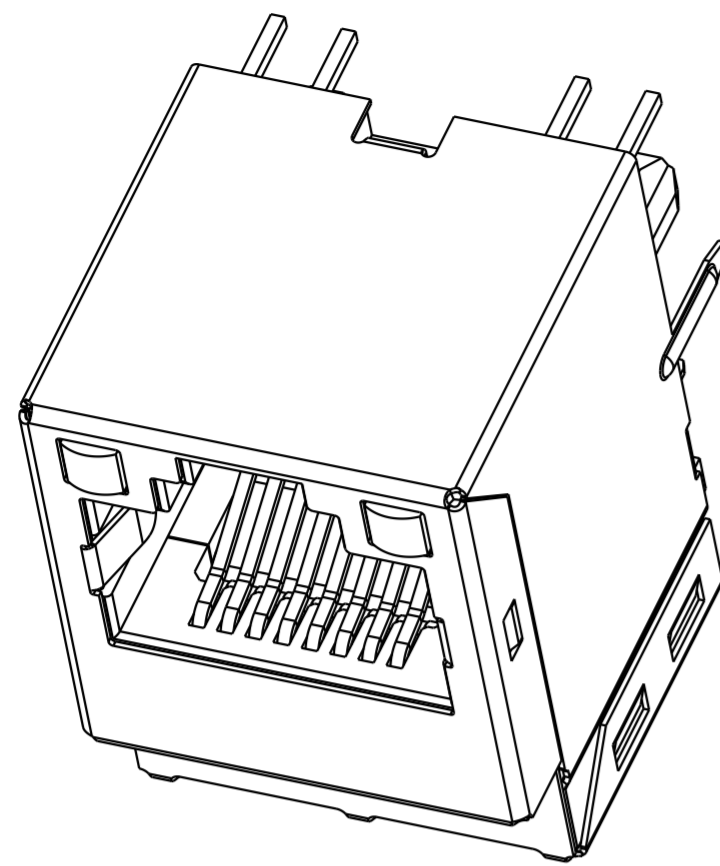


THIS DRAWING AND THE SUBJECT MATTER SHOWN THEREON ARE CONFIDENTIAL AND THE PROPERTY OF BEL/STEWART/TRP CONNECTOR AND SHALL NOT BE REPRODUCED, COPIED, OR USED IN ANY MANNER WITHOUT THE WRITTEN CONSENT OF TRP CONNECTOR.

PRODUCT MAY BE PROTECTED BY ONE OR MORE OF THE FOLLOWING US PATENTS:
 5736910 5939955 6425781 6428361 6554638 6840817 7123117
 7429195 7717749 7808751 6217391 6149050 7924130

REVISIONS				
P	LTR	DESCRIPTION	DATE	APVD
E		EC-1411035, LOGO CHANGE	26DEC2014	JC TY



1. MATERIALS

HOUSING: THERMOPLASTIC, BLACK, FLAMMABILITY RATED UL 94V-0
 SHIELD: BRASS, 0.20mm THICK, PREPLATED WITH MIN 0.76um SEMI-BRIGHT NICKEL POST DIPPED WITH 2.54um MIN SAC SOLDER AT GROUND PINS.
 CONTACTS: PHOSPHOR BRONZE, PLATED WITH 1.27um MIN OVERALL NICKEL UNDERPLATE, SELECTIVE 1.27um MIN GOLD AT MATING INTERFACE AND 2.54um MIN MATTE TIN ON SOLDER TAILS. OR 1.27um MIN NICKEL UNDERPLATE, WITH 0.05um GOLD PLATING OVER 0.76um MIN PALLADIUM NICKEL PLATING AT MATING INTERFACE AND 2.54um MIN MATTE TIN ON SOLDER TAILS.
 SOLDER TAIL: PHOSPHOR BRONZE, WITH 1.27um MIN OVERALL NICKEL UNDERPLATE AND PLATED WITH 2.54um MIN TIN
 LED: DIFFUSED EPOXY LENS, 0.50mm SQUARE CARBON STEEL WIREFRAME LEADS PREPLATED WITH 2.03um MIN SILVER OVER 1.02um MIN NICKEL OVER 1.02um MIN COPPER UNDERPLATE POST PLATED WITH 2.54um MIN TIN

2. MAGNETICS

-APPLICATION: 10/100/1000 BASE-T
 -IMPEDANCE: 100 OHMS
 -TURNS RATIO (CHIP:CABLE): 1:1 ALL FOUR PAIRS
 -OPEN CIRCUIT INDUCTANCE (OCL): 350uH MIN @100kHz, 0.1VRMS, 8mADC BIAS FROM 0°C TO 70°C, ALL FOUR PAIRS
 -ALL FOUR PAIRS BI-DIRECTIONAL
 -PERFORMANCE @ 25°C:
 INSERTION LOSS (IL): 1.1dB MAX FROM 0.5MHz TO 100MHz
 RETURN LOSS (RL): 18dB MIN FROM 0.5MHz TO 40MHz
 12-20LOG(f/80)dB MIN FROM 40.1MHz TO 100MHz
 CROSSTALK ATTENUATION: 35dB MIN FROM 0.5MHz TO 40MHz
 33-20LOG(f/50)dB MIN FROM 40.1MHz TO 100MHz
 COMMON MODE REJECTION RATIO (CMRR): 30dB MIN FROM 0.5MHz TO 100MHz
 -ISOLATION VOLTAGE: COMPLIES WITH IEEE802.3 2002, PARA 40.6.1.1, ITEM b.

3. THE MAGNETIC ARE SYMMETRICAL AND SUPPORT AUTO-MDIX OPERATION.

4. OPERATING TEMPERATURE: 0 ~ 70°C

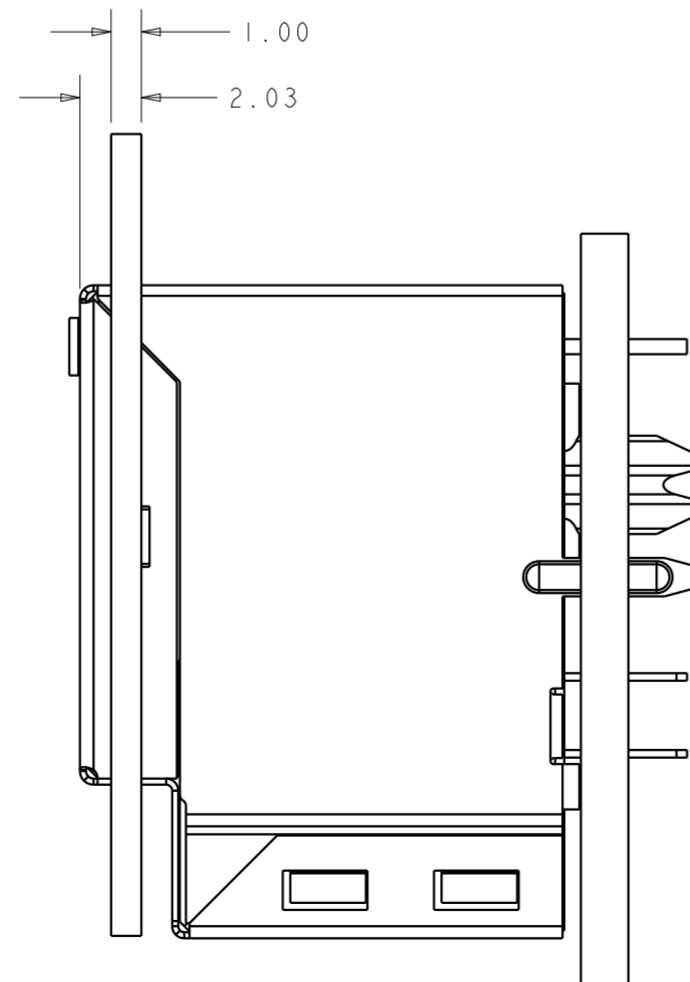
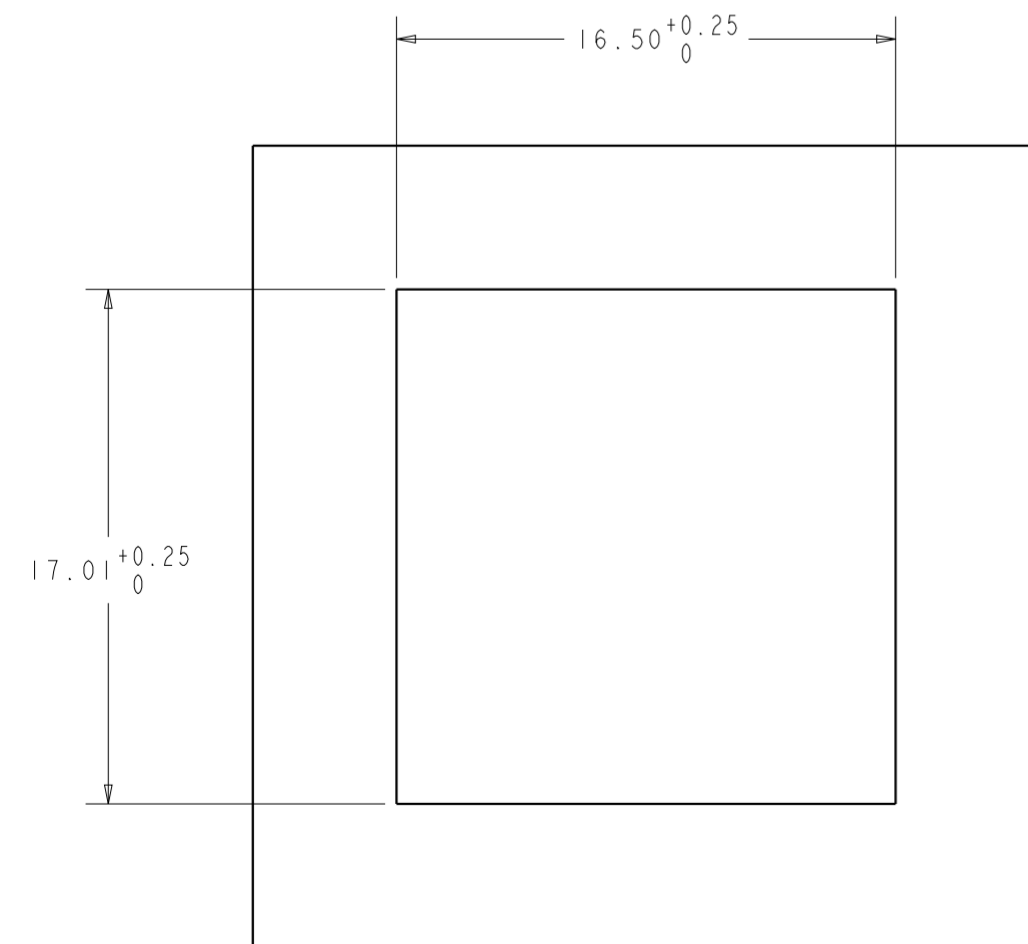
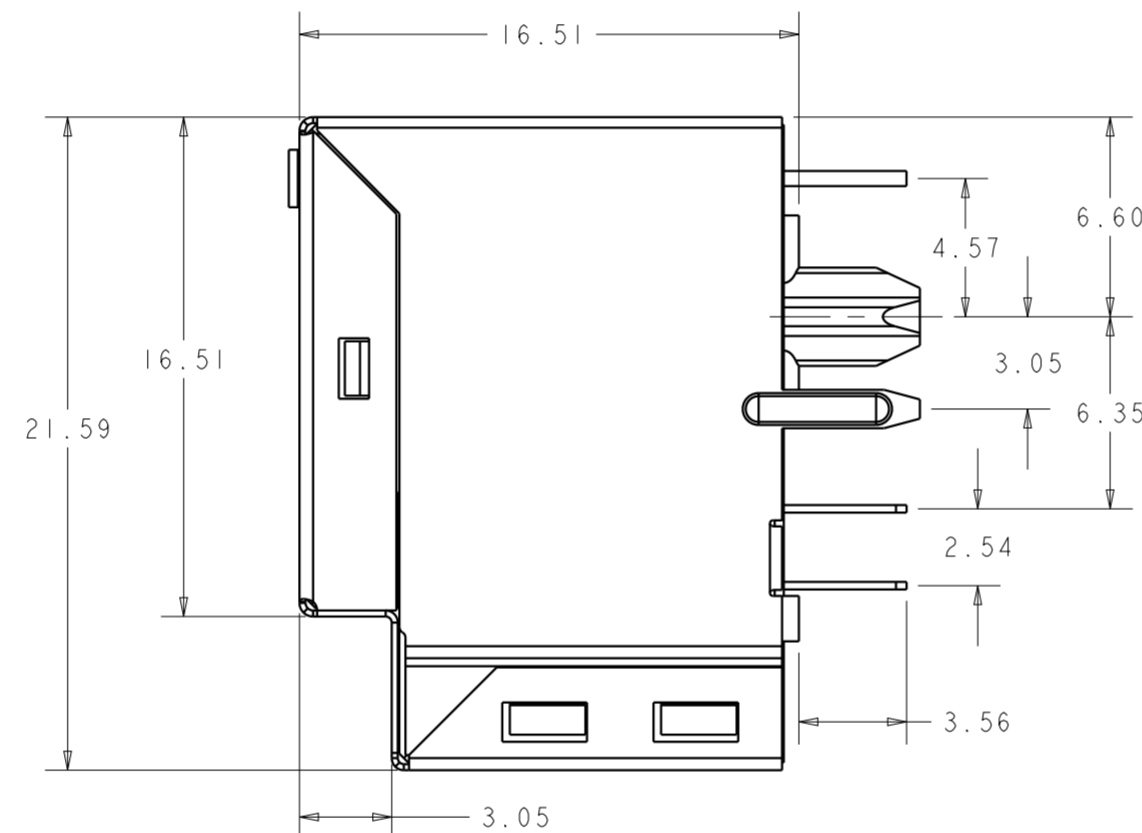
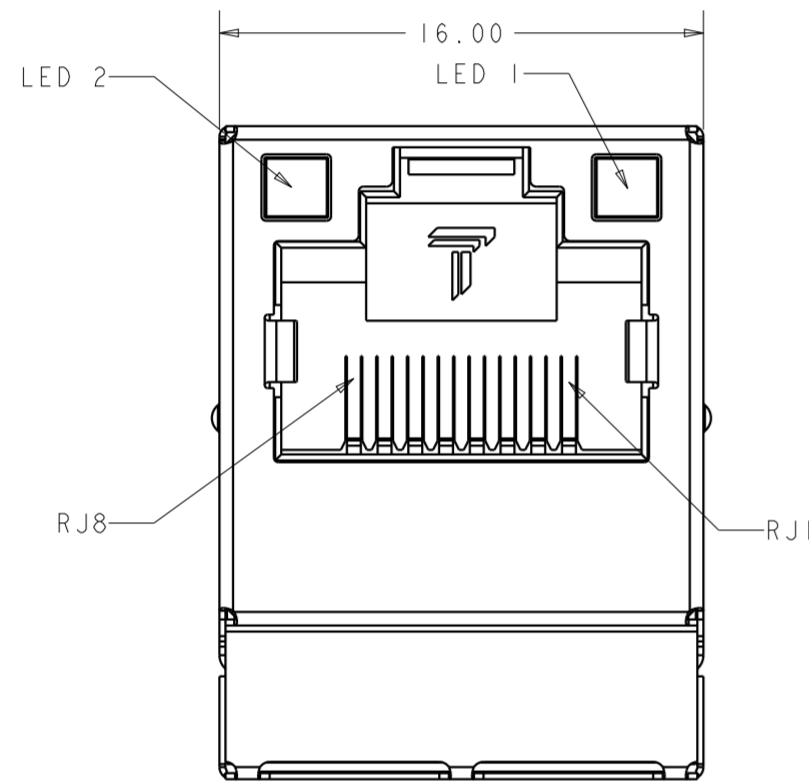
5. LED IS DRIVEN WITH CONSTANT CURRENT AT APPROX 20mA.

DOMINANT WAVELENGTH(λ D)
 GREEN 568nm TYP.at IF=20mA
 YELLOW 588nm TYP.at IF=20mA

FORWARD VOLTAGE(VF):
 GREEN 2.2V TYP.at IF=20mA
 YELLOW 2.1V TYP.at IF=20mA

6. ALL DIMENSIONS TO BE NOMINAL UNLESS OTHERWISE NOTED

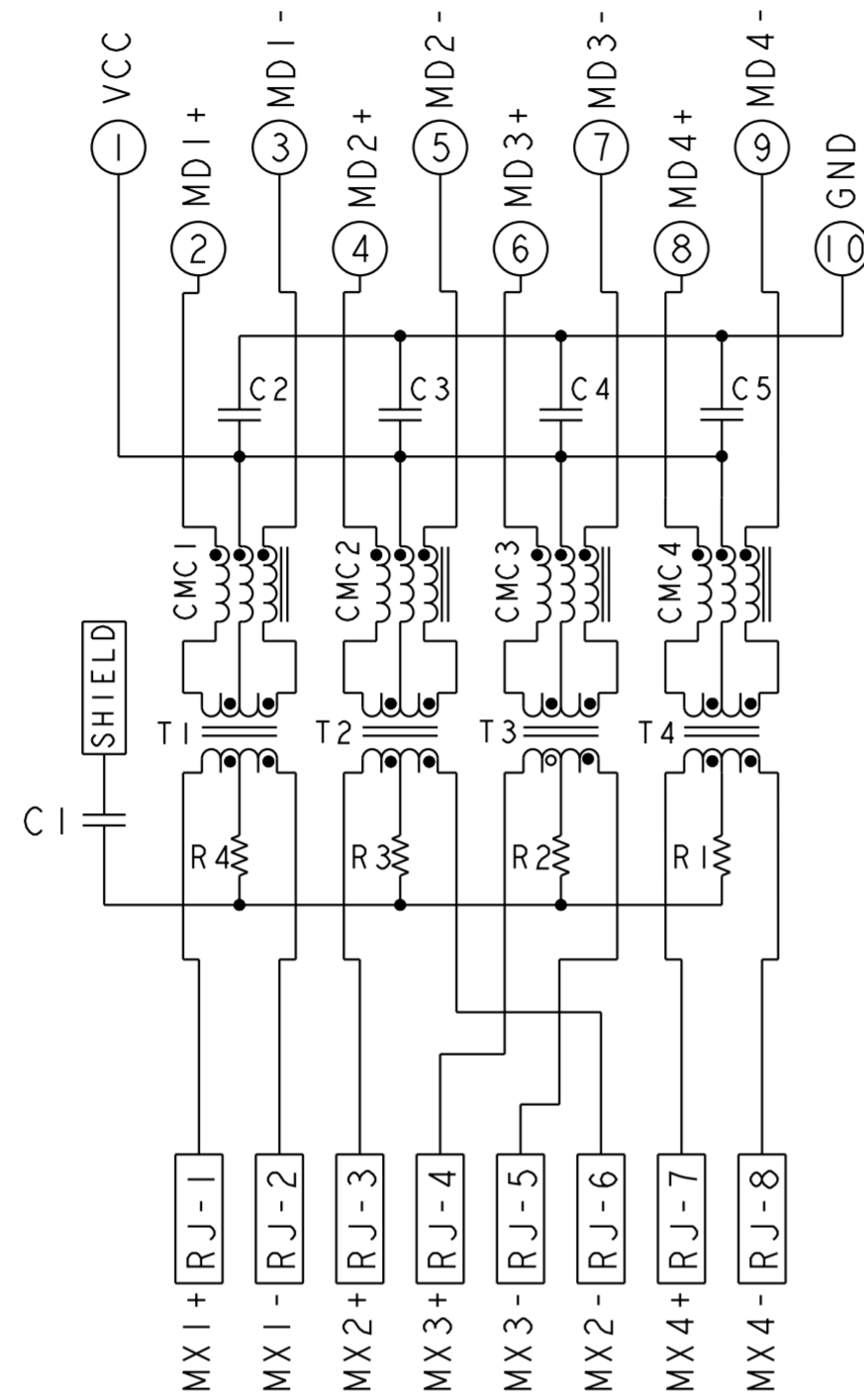
7. RJ45 CAVITY CONFORMS TO FCC RULES AND REGULATION PART 68 SUBPART F.



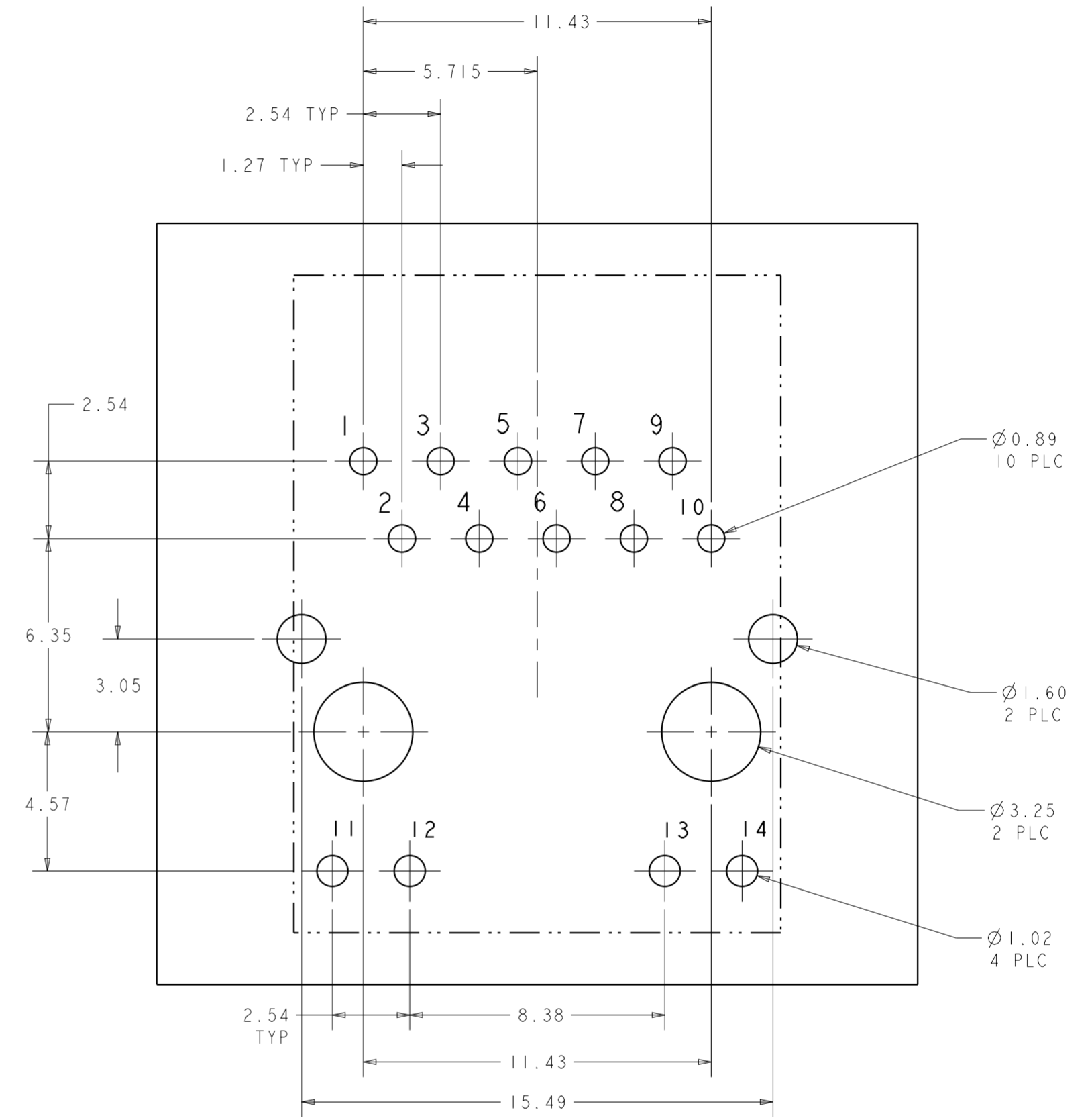
GRN/YEL	GRN/YEL	1840417-4
YELLOW	GREEN	1840417-3
GREEN	YELLOW	1840417-2
GREEN	GREEN	1840417-1
LED 1	LED 2	PART NUMBER

THIS DRAWING IS A CONTROLLED DOCUMENT.		DWN TOMMY REN 18AUG2006	 trp CONNECTOR a bel group DONGGUAN CHINA	
DIMENSIONS: mm		CHK KEITH ZHU 18AUG2006		
TOLERANCES UNLESS OTHERWISE SPECIFIED:		APVD TEDDY XIONG 18AUG2006		
0 PLC ±0.25 1 PLC ±0.25 2 PLC ±0.25 3 PLC ±0.25 4 PLC ± ANGLES ±		MODEL NAME MAGJACK		
PRODUCT SPEC 108-2100		APVD TEDDY XIONG 18AUG2006	DESC IXI, MAGJACK, VERTICAL 4G46PI, GIGABIT CIRCUIT, W/ LEDS	RESTRICTED TO -
APPLICATION SPEC -		SIZE A2	CAGE CODE C-1840417	DRAWING NO -
CUSTOMER DRAWING			SCALE 4:1	SHEET 1 OF 2
			REV E	

4G46PI GIGABIT CIRCUIT $\Delta\Delta$

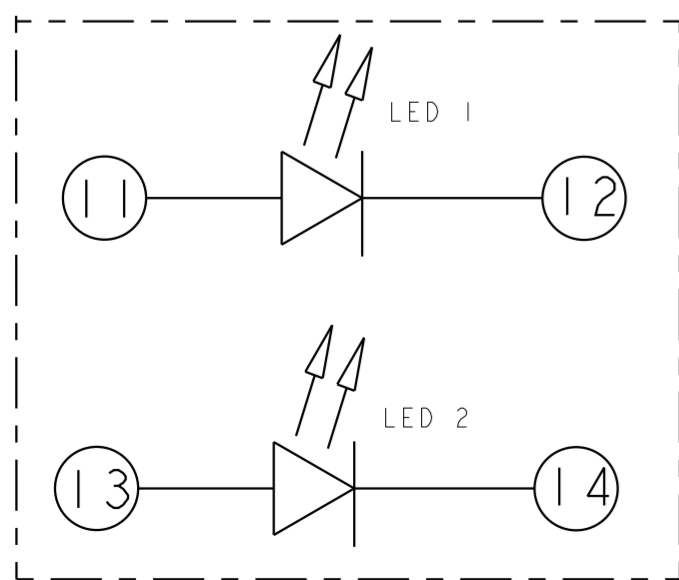


C2 - C5 = 0.1uF, 50V, CAPACITOR
 C1 = 1000pF, 2KV, CAPACITOR
 R1 - R4 = 75 ohms, RESISTOR

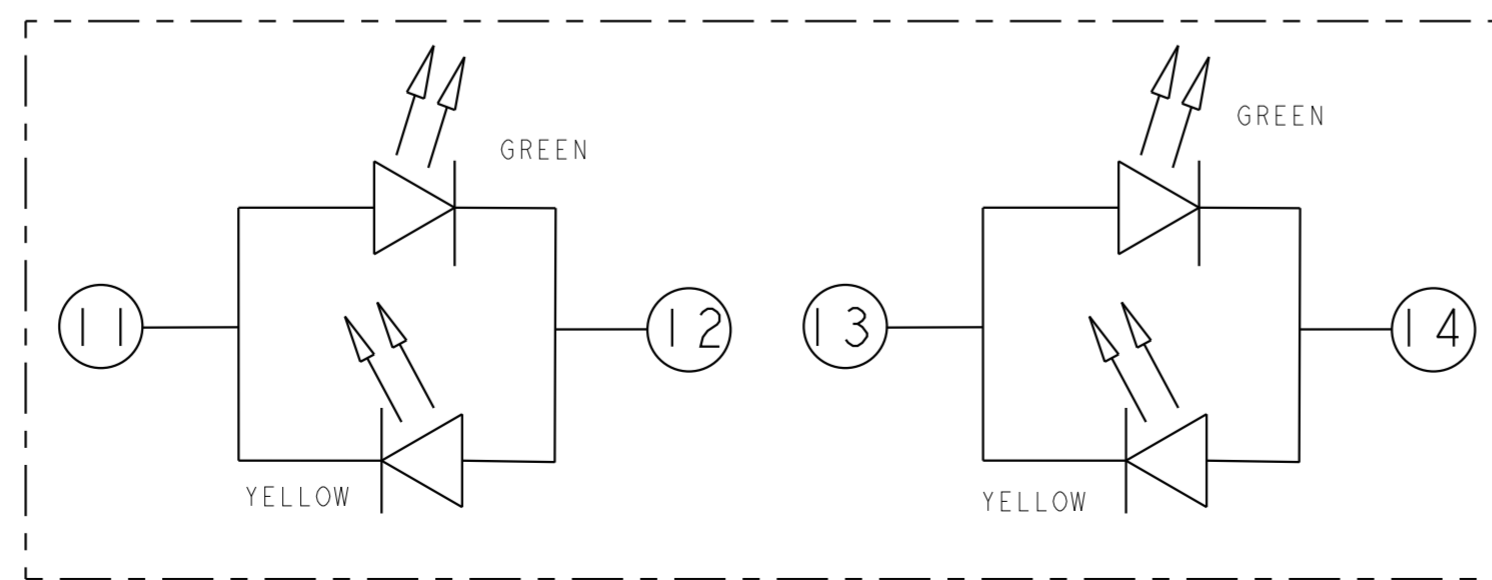



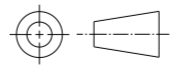
SUGGESTED PCB LAYOUT (TOL: ± 0.05)
 (COMPONENT SIDE VIEW)

SINGLE COLOR LED



BI-COLOR LED



THIS DRAWING IS A CONTROLLED DOCUMENT.		DWN TOMMY REN 18AUG2006	 trp CONNECTOR a bel group	DONGGUAN CHINA	
DIMENSIONS: mm		CHK KEITH ZHU 18AUG2006		DESC IXI, MAGJACK, VERTICAL 4G46PI, GIGABIT CIRCUIT, W/ LEDS	RESTRICTED TO
		APVD TEDDY XIONG 18AUG2006			
PRODUCT SPEC 108-2100	TOLERANCES UNLESS OTHERWISE SPECIFIED: 0 PLC ± 0.25 1 PLC ± 0.25 2 PLC ± 0.25 3 PLC ± 0.25 4 PLC \pm ANGLES \pm	MODEL NAME MAGJACK SINGLE NON-POE	SCALE 4:1	SHEET 2 OF 2	REV E

CUSTOMER DRAWING

SCALE 4:1 SHEET 2 OF 2 REV E