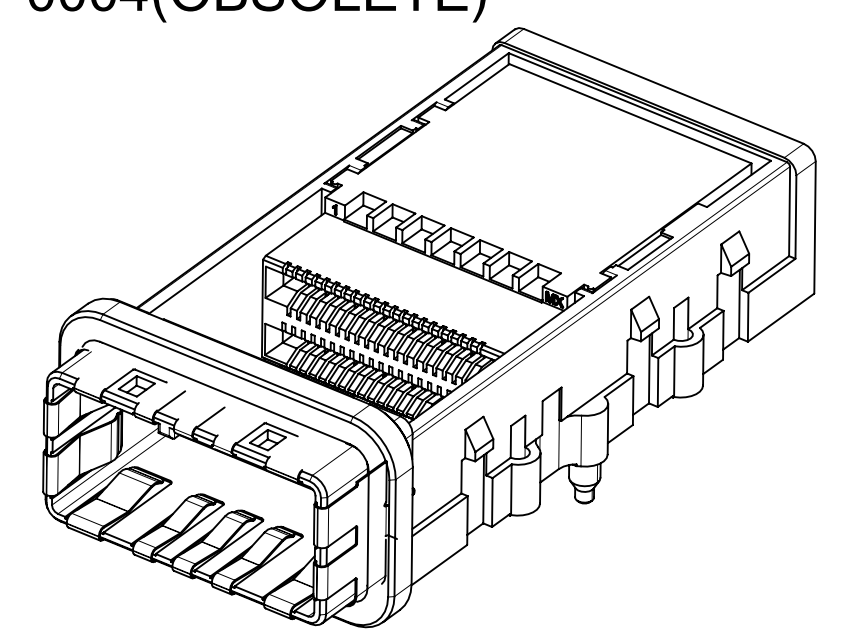
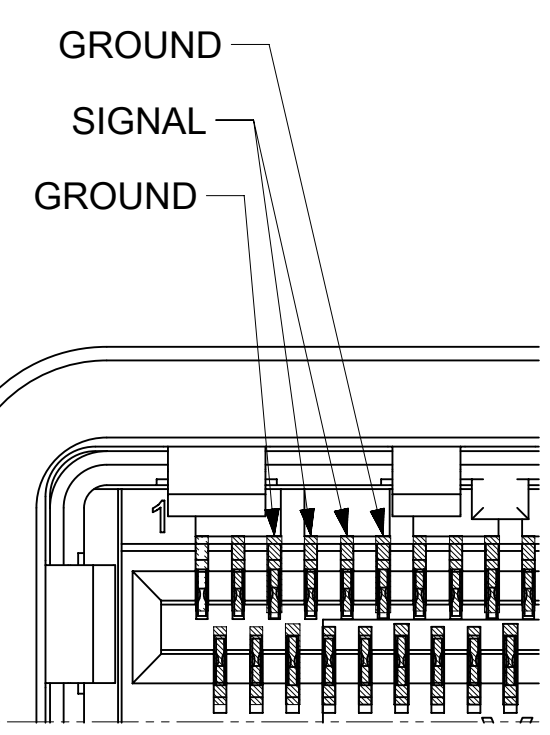


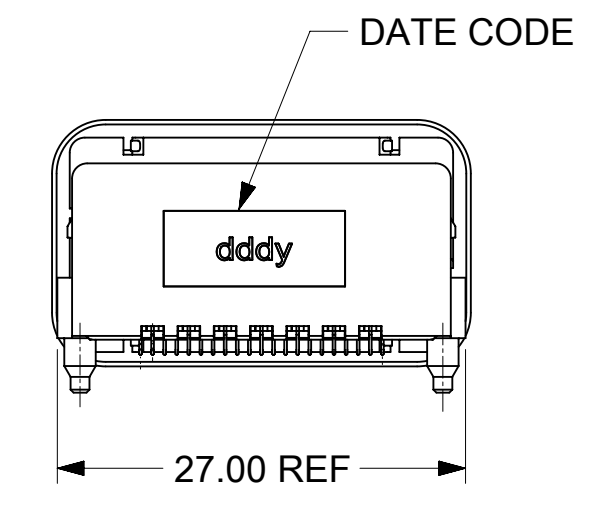
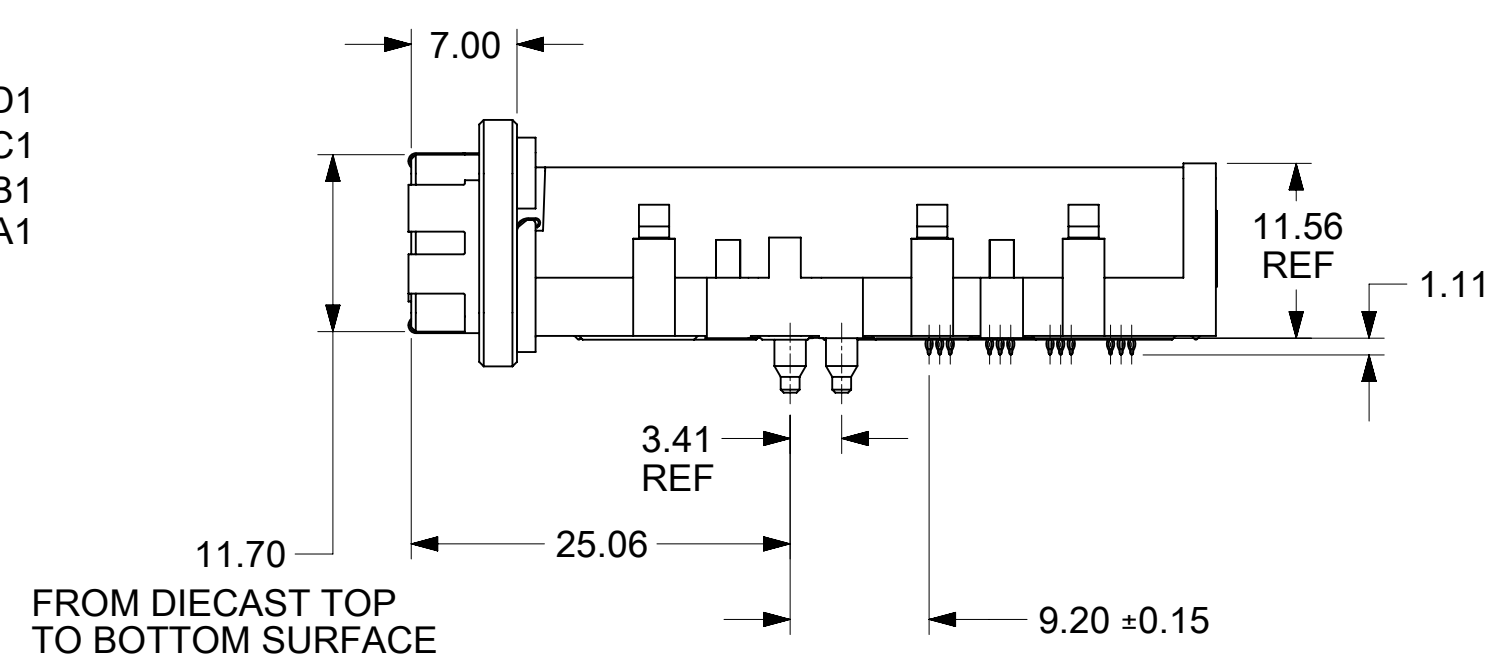
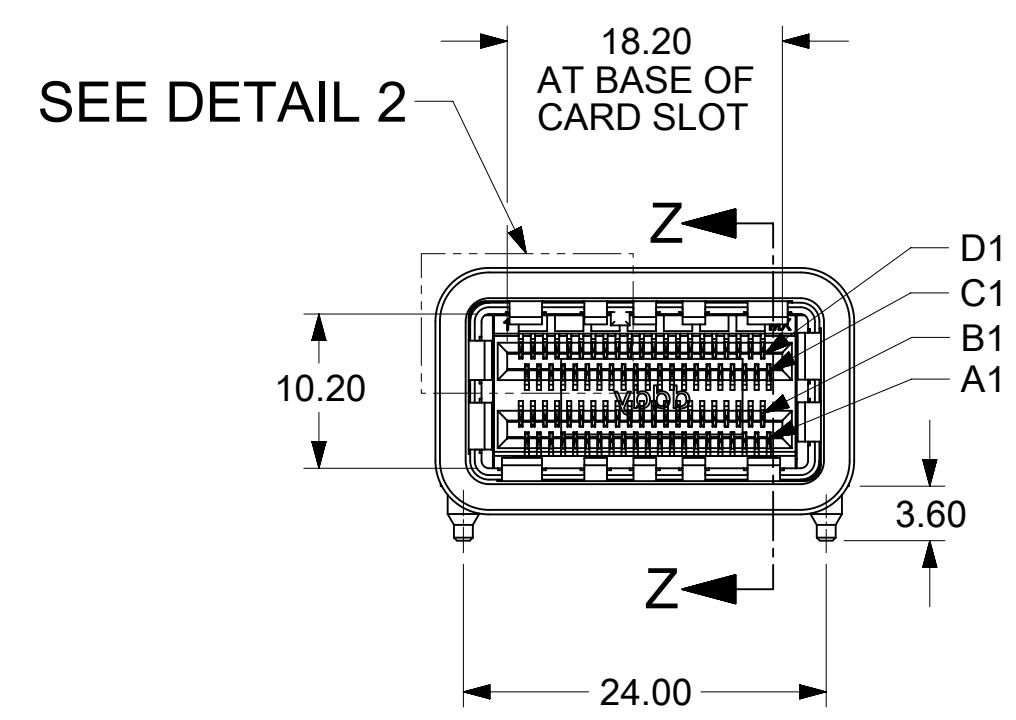
173161-0004(OBSOLETE)



173161-0003



DETAIL 2
SCALE 6:1



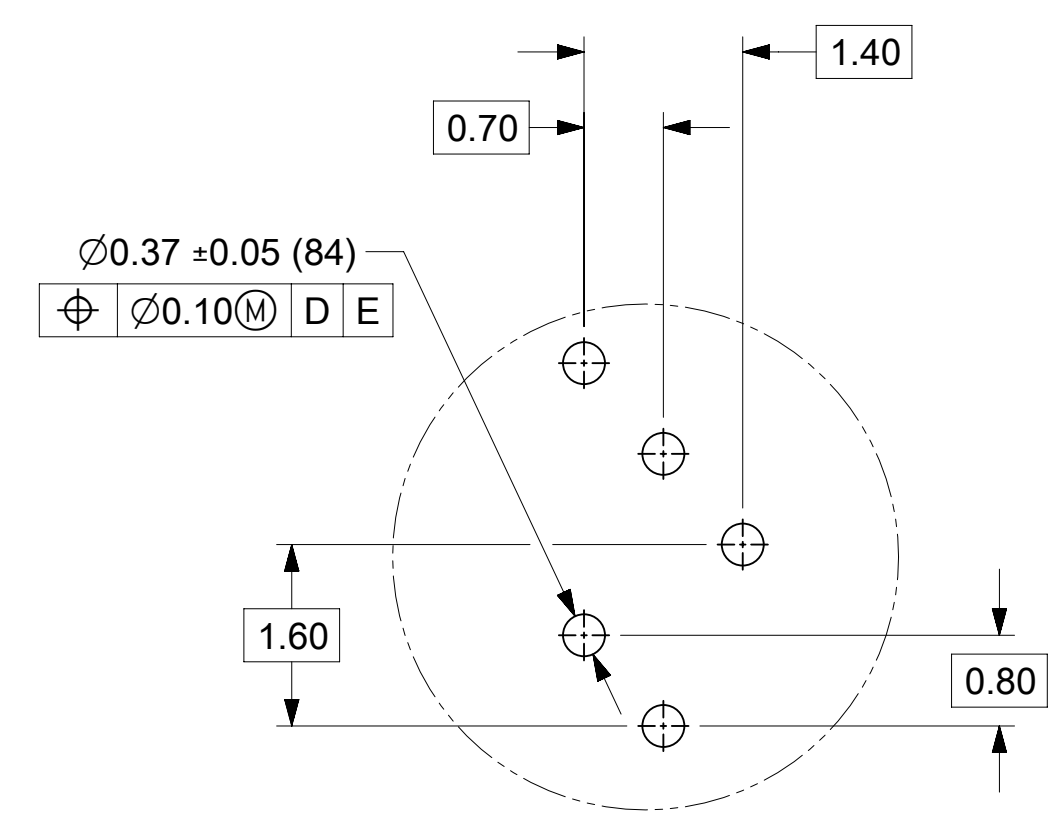
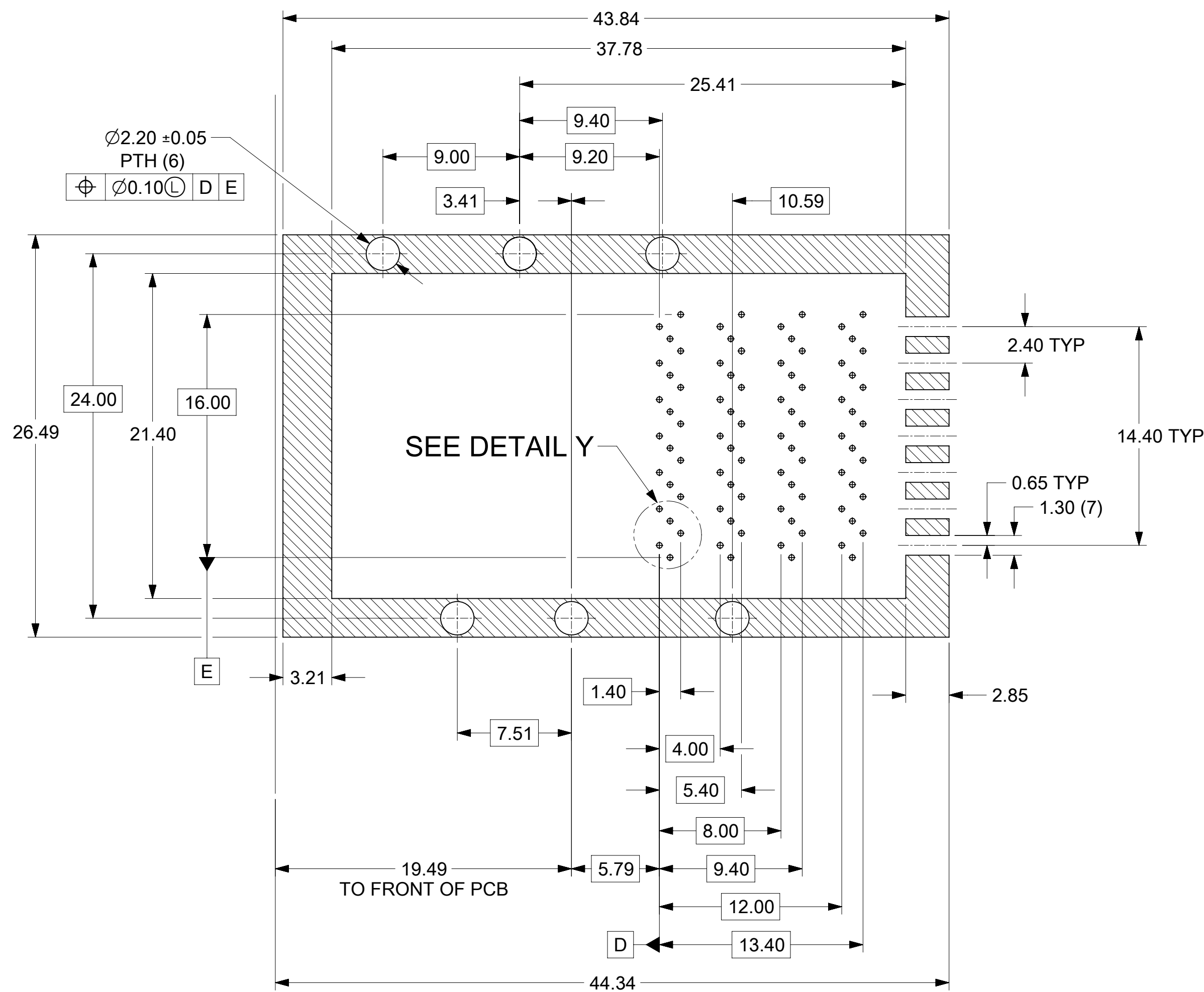
NOTES:

- MATERIALS:
CONNECTOR HOUSING: HIGH TEMPERATURE THERMOPLASTIC GLASS-FILLED, UL 94V-0
EMI HOUSING: NICKEL PLATED DIE CAST ALLOY
COVER: STAINLESS STEEL ALLOY
EMI GASKET: CONDUCTIVE FABRIC OVER FOAM UL 94 V-0
TERMINALS: COPPER ALLOY
- PLATING:
CONTACT AREA: 0.76µm MIN. GOLD OVER 2.54µm MIN. NICKEL
TIN TAIL AREA: 0.76µm - 1.52µm TIN OVER 1.27µm MIN NICKEL
- THIS CONNECTOR IS DESIGNED TO MATE WITH MOLEX CABLE SERIES INDICATED IN THE MOLEX PRODUCT SPEC. PS-173124-0001.
- REFER TO ROUTING GUIDE AS-173124-0002 FOR PCB TRACE INFORMATION.
- PACKAGING SPECIFICATION: TRAY PACK PER PK-170465-0001.
- REFER TO AS-170465-0001 FOR THE APPLICATION SPECIFICATION.
- MOUNTING HARDWARE REQUIRED: M2x0.4 CAP SCREWS (4)
MOUNTING SCREW LENGTH: BOARD THICKNESS + 4mm MAX

MATERIAL #	DESCRIPTION
1731610003	NO COVER
O1731610004	WITH COVER

THIS DRAWING CONTAINS INFORMATION THAT IS PROPRIETARY TO MOLEX ELECTRONIC TECHNOLOGIES, LLC AND SHOULD NOT BE USED WITHOUT WRITTEN PERMISSION									
DIMENSION UNITS		SCALE		CURRENT REV DESC: OBSOLETE PART NUMBERS					
mm		2:1							
GENERAL TOLERANCES (UNLESS SPECIFIED)									
	MM	INCH							
4 PLACES	±	±		EC NO: 653275					
3 PLACES	±	±		DRWN: SKANDB		2020/12/31			
2 PLACES	± 0.25	±		CHK'D: GGA		2021/02/04			
1 PLACE	±	±		APPR: GGA		2021/02/04			
0 PLACES	±	±		INITIAL REVISION:					
				DRWN: SVANG01		2016/04/07			
				APPR: SVANG01		2016/04/08			
ANGULAR TOL ± 0.5 °			THIRD ANGLE PROJECTION			DRAWING		SERIES	
DRAFT WHERE APPLICABLE MUST REMAIN WITHIN DIMENSIONS			C-SIZE			173161			
DOCUMENT NUMBER		DOC TYPE		DOC PART		REVISION			
SD-173161-0003		PSD		001		A1			
MATERIAL NUMBER		CUSTOMER		SHEET NUMBER					
SEE TABLE		GENERAL MARKET		1 OF 4					

DOCUMENT STATUS	P1	RELEASE DATE	2021/02/04	07:34:12
-----------------	----	--------------	------------	----------

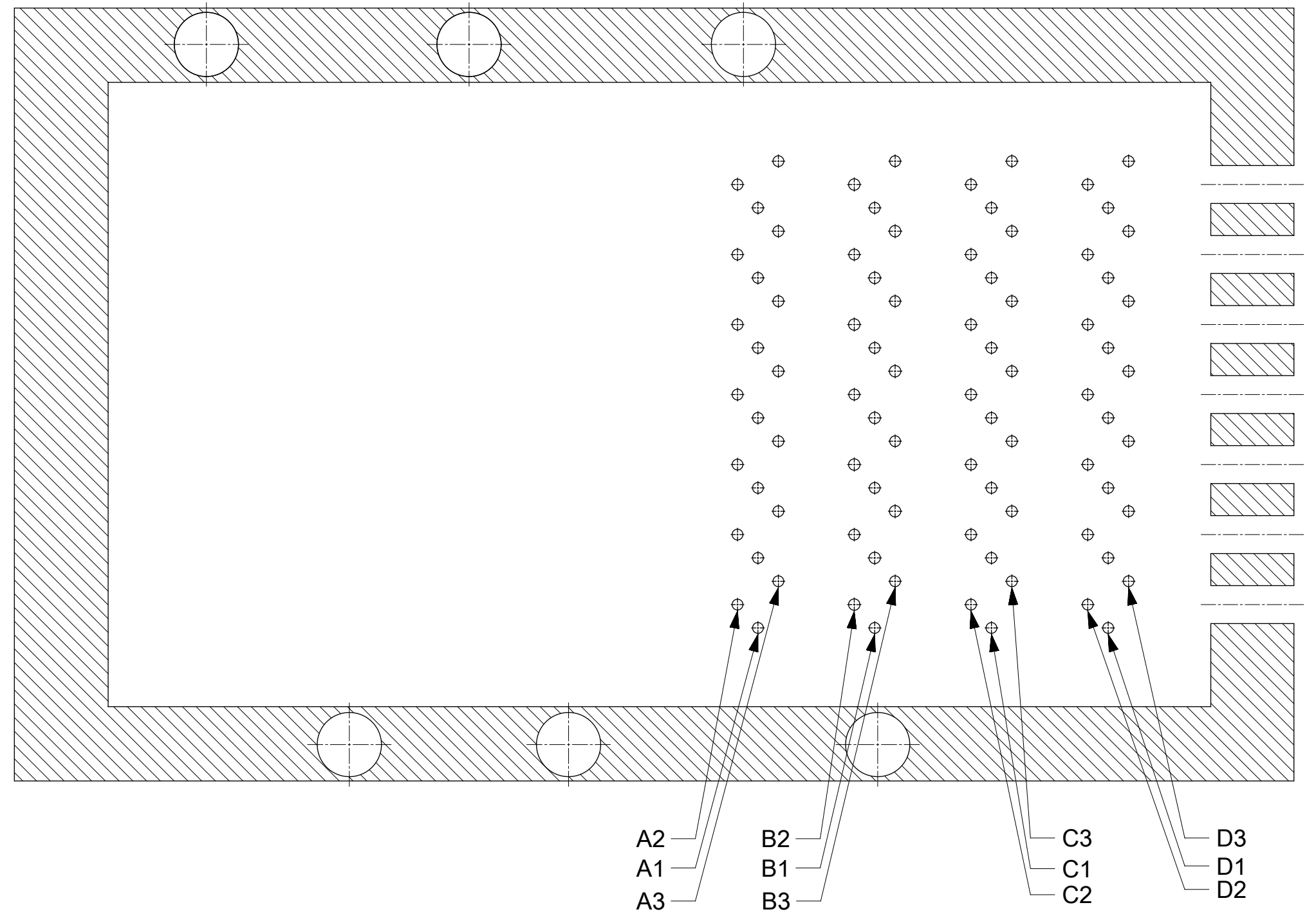
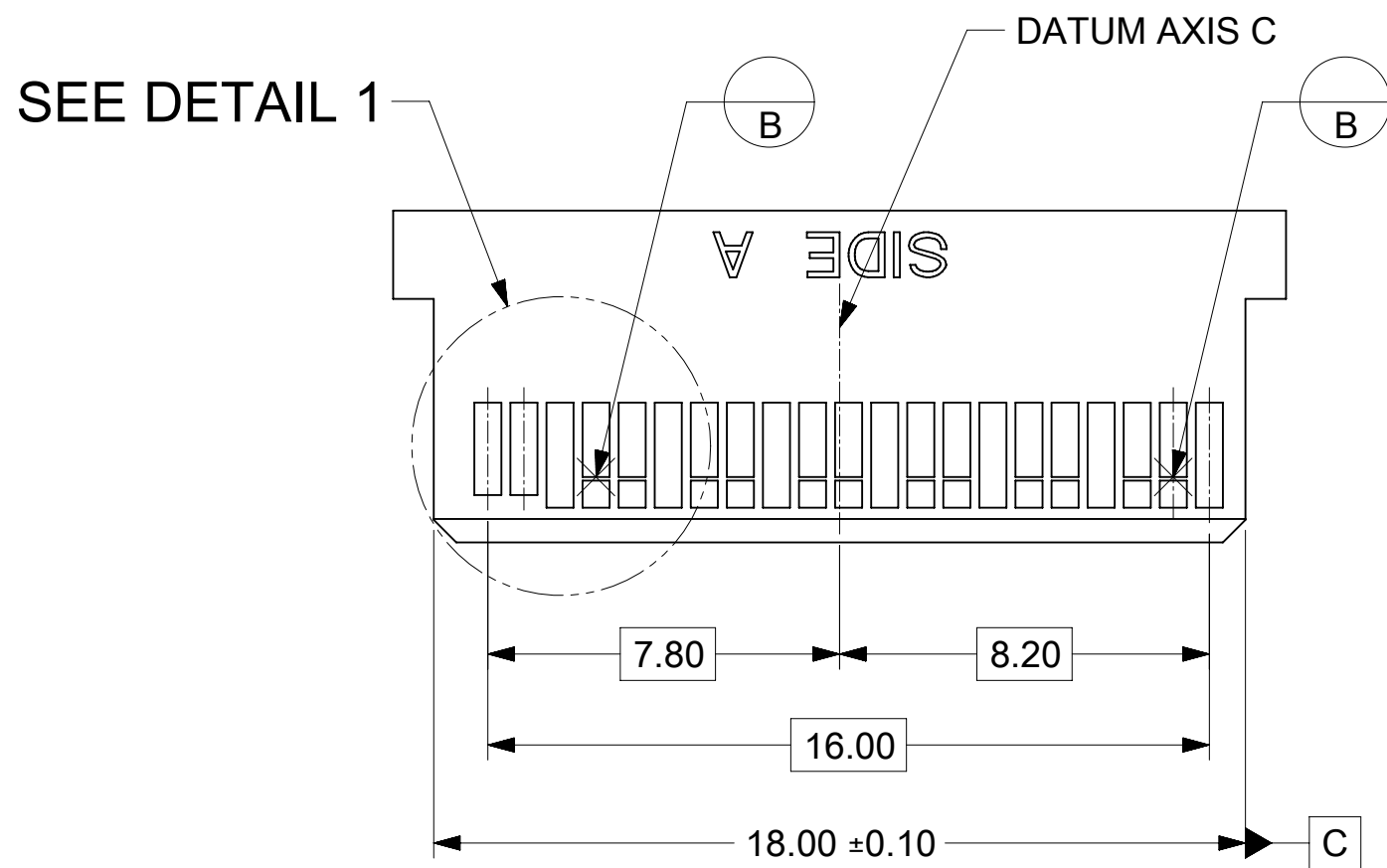
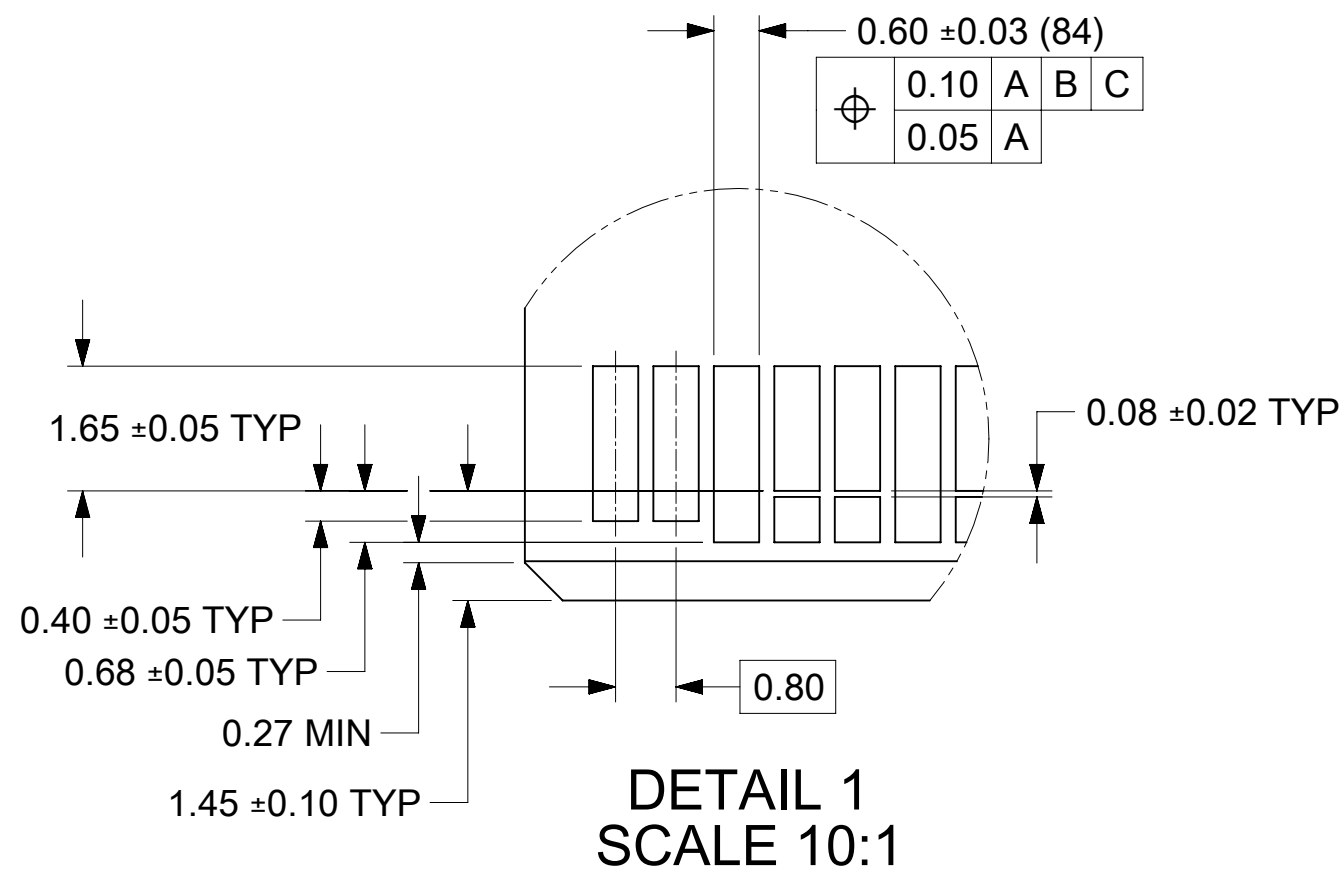
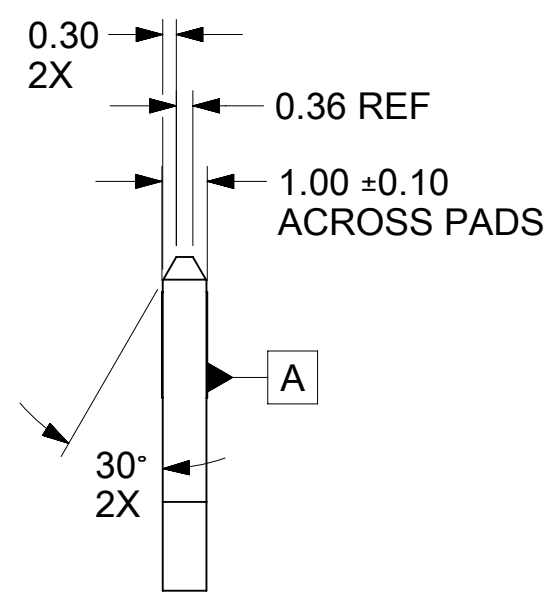
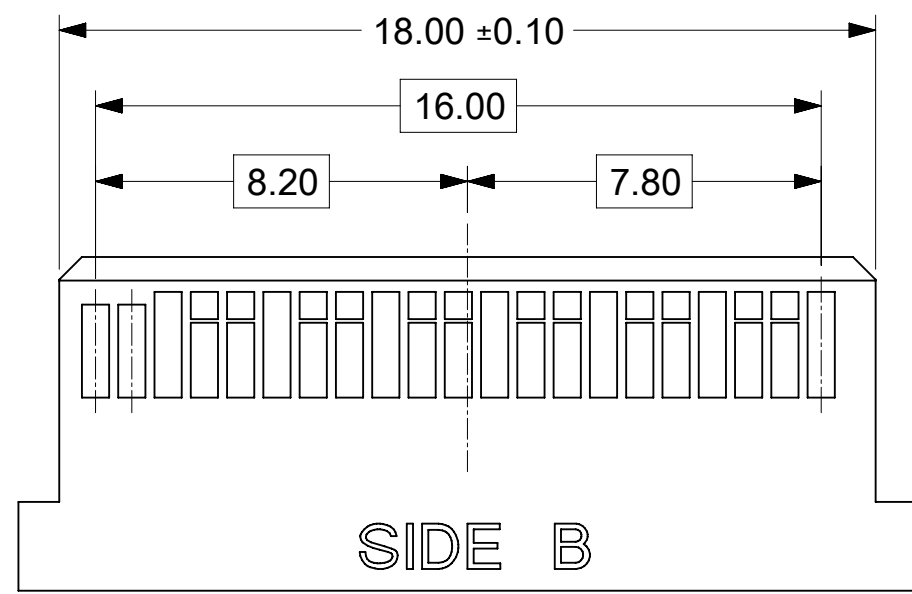


- NOTES:**
1. CROSS-HATCHED AREA TO BE CONDUCTIVE ON THE PCB.
 2. CROSS-HATCHED AREA MUST BE INCORPORATED IN THE FLAT ROCK PRESS-FIT TOOLING.
 3. REFER TO THE PLATING DETAIL OF THE COMPLIANT PIN HOLES IN THE APPLICATION SPEC AS-173124-0002 FOR THE DRILL SIZE AND ANNULAR RING FOR THE 0.37Ø FINISHED HOLE.
 4. MINIMUM RECOMMENDED SPACING: 26.50

**RECOMMENDED PCB LAYOUT
COMPONENT SIDE SHOWN**

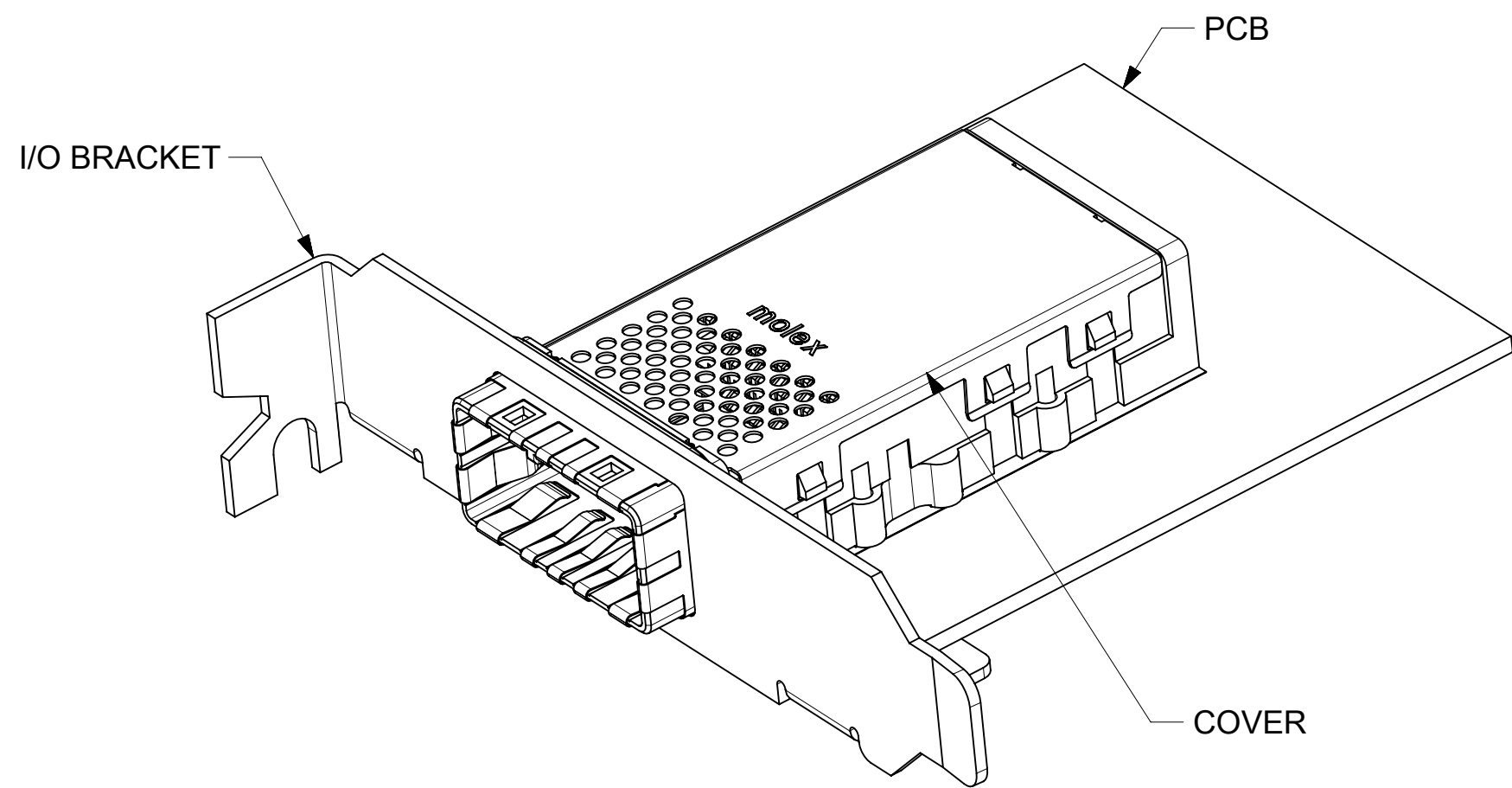
PCB THICKNESS: 1.57mm MIN.

THIS DRAWING CONTAINS INFORMATION THAT IS PROPRIETARY TO MOLEX ELECTRONIC TECHNOLOGIES, LLC AND SHOULD NOT BE USED WITHOUT WRITTEN PERMISSION									
DIMENSION UNITS		SCALE		CURRENT REV DESC: OBSOLETE PART NUMBERS				molex	
mm		4:1							
GENERAL TOLERANCES (UNLESS SPECIFIED)				EC NO: 653275		2020/12/31		ZCXP STANDARD BODY	
4 PLACES		±	±	DRWN: SKANDB		2021/02/04		84 CIRCUIT 0.8MM I/O CONNECTOR ASSEMBLY	
3 PLACES		±	±	CHK'D: GGA		2021/02/04		PRODUCT CUSTOMER DRAWING	
2 PLACES		± 0.25	±	APPR: GGA		2021/02/04		DOCUMENT NUMBER	
1 PLACE		±	±	INITIAL REVISION:				DOC TYPE DOC PART REVISION	
0 PLACES		±	±	DRWN: SVANG01		2016/04/07		SD-173161-0003	
ANGULAR TOL		± 0.5 °		APPR: SVANG01		2016/04/08		PSD 001 A1	
DRAFT WHERE APPLICABLE MUST REMAIN WITHIN DIMENSIONS				THIRD ANGLE PROJECTION		DRAWING		MATERIAL NUMBER	
				C-SIZE		SERIES		CUSTOMER	
				173161		SEE TABLE		GENERAL MARKET	
								SHEET NUMBER	
								2 OF 4	

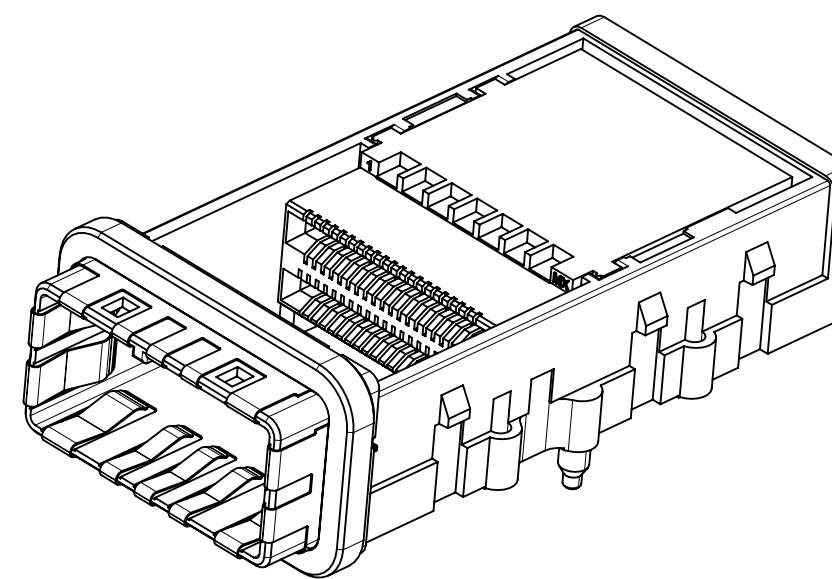


- NOTES:**
- 0.03 MINIMUM KEEP OUT FOR SOLDER MASK AROUND ALL PADS
 - DATUM B TARGETS ARE DEFINED BY THE RESPECTIVE PAD CENTER LINES AND THE LEADING EDGE OF THE TARGET PADS

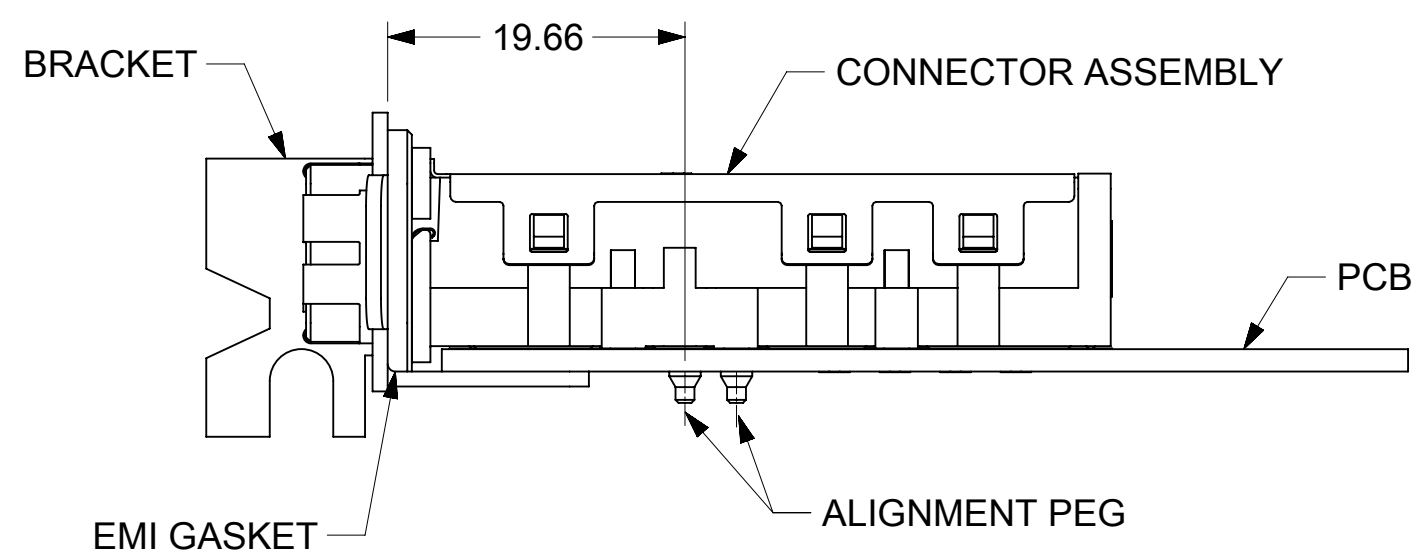
THIS DRAWING CONTAINS INFORMATION THAT IS PROPRIETARY TO MOLEX ELECTRONIC TECHNOLOGIES, LLC AND SHOULD NOT BE USED WITHOUT WRITTEN PERMISSION									
DIMENSION UNITS		SCALE		CURRENT REV DESC: OBSOLETE PART NUMBERS					
mm		6:1		<p>molex</p> <p>ZCXP STANDARD BODY 84 CIRCUIT 0.8MM I/O CONNECTOR ASSEMBLY</p> <p>PRODUCT CUSTOMER DRAWING</p> <p>DOCUMENT NUMBER: SD-173161-0003 DOC TYPE: PSD DOC PART: 001 REVISION: A1</p> <p>MATERIAL NUMBER: SEE TABLE CUSTOMER: GENERAL MARKET SHEET NUMBER: 3 OF 4</p>					
GENERAL TOLERANCES (UNLESS SPECIFIED)									
	MM	INCH							
4 PLACES	±	±							
3 PLACES	±	±							
2 PLACES	± 0.25	±							
1 PLACE	±	±							
0 PLACES	±	±							
ANGULAR TOL		± 0.5 °		EC NO: 653275		2020/12/31			
DRAFT WHERE APPLICABLE MUST REMAIN WITHIN DIMENSIONS		THIRD ANGLE PROJECTION		DRWN: SVANG01		2016/04/07			
				APPR: SVANG01		2016/04/08			
				DRAWING		SERIES			
				C-SIZE		173161			



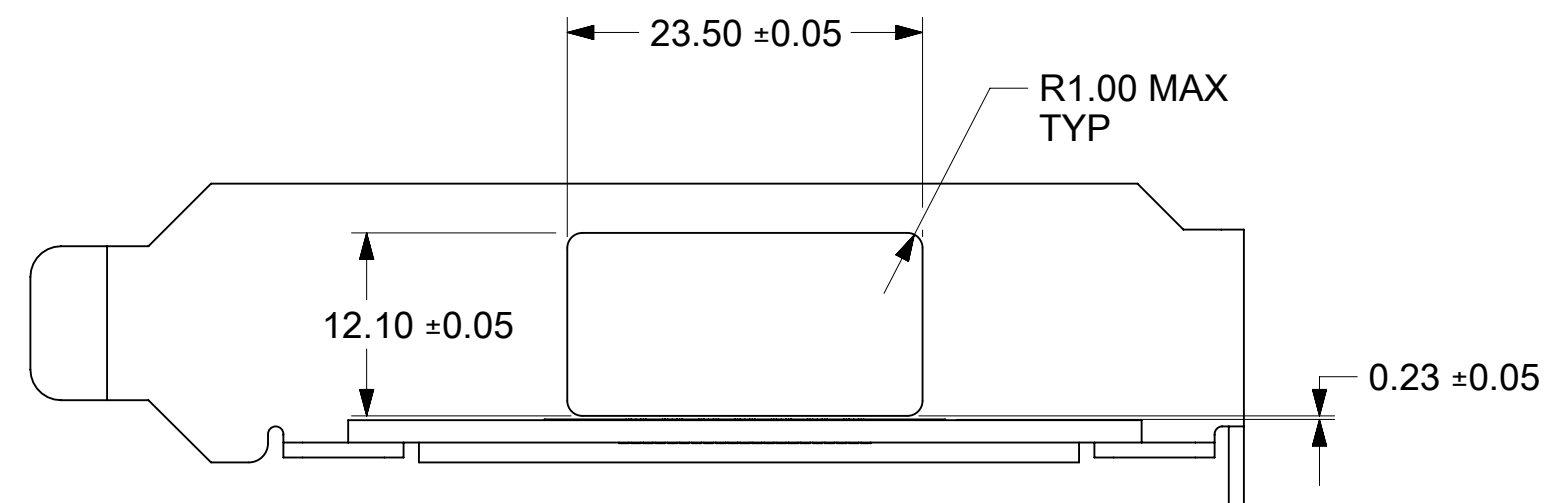
173161-0004(OBSOLETE)



173161-0003



ASSEMBLED VIEW



RECOMMENDED I/O BRACKET CUT-OUT
(NOT SUPPLIED)

THIS DRAWING CONTAINS INFORMATION THAT IS PROPRIETARY TO MOLEX ELECTRONIC TECHNOLOGIES, LLC AND SHOULD NOT BE USED WITHOUT WRITTEN PERMISSION

DIMENSION UNITS		SCALE		CURRENT REV DESC: OBSOLETE PART NUMBERS							
mm		2:1									
GENERAL TOLERANCES (UNLESS SPECIFIED)						EC NO: 653275		ZCXP STANDARD BODY 84 CIRCUIT 0.8MM I/O CONNECTOR ASSEMBLY			
						DRWN: SKANDB					
4 PLACES ±						2020/12/31		PRODUCT CUSTOMER DRAWING			
3 PLACES ±						2021/02/04					
2 PLACES ± 0.25						CHK'D: GGA		SD-173161-0003			
1 PLACE ±						2021/02/04					
0 PLACES ±						INITIAL REVISION:		DOCUMENT NUMBER SD-173161-0003			
ANGULAR TOL ± 0.5 °						DRWN: SVANG01					
DRAFT WHERE APPLICABLE MUST REMAIN WITHIN DIMENSIONS						APPR: SVANG01		DOC PART 001			
						THIRD ANGLE PROJECTION					
						DRAWING		MATERIAL NUMBER SEE TABLE			
						SERIES					
						C-SIZE		SHEET NUMBER 4 OF 4			
						173161					