

## Crimp contact - CK2,5-ED-0,5BU CUNI - 1585757

Please be informed that the data shown in this PDF Document is generated from our Online Catalog. Please find the complete data in the user's documentation. Our General Terms of Use for Downloads are valid (<http://phoenixcontact.com/download>)



Turned 2.5 crimp contact, individual CuNi female contact, core cross section 0.5 mm<sup>2</sup>, uncoated

RoHS

### Key Commercial Data

Packing unit	25 pc
GTIN	
GTIN	4046356308250

### Technical data

#### Electrical characteristics

Rated current	16 A
---------------	------

#### Ambient conditions

Ambient temperature (operation)	-40 °C ... 125 °C
---------------------------------	-------------------

#### Mechanical characteristics

Conductor cross section	0.5 mm <sup>2</sup> ... 0.5 mm <sup>2</sup>
Connection cross section AWG	20
Stripping length of the individual wire	7.5 mm (9.5 mm at HC-M-HV...)
Contact diameter	2.5 mm
Insertion/withdrawal cycles	≥ 500

#### General

Note	For HC-M-06, HC-M-HV, HC-M-08, HC-A, HC-BB, HC-B and HC-HV contact inserts, the quality of a crimp connection is determined by the DIN EN 60 352-2
Type	Individual male contact
Series	HC-M-06; HC-M-HV; HC-M-08; HC-A; HC-BB; HC-B; HC-HV
Connection method	Crimp connection
Contact type	turned

# Crimp contact - CK2,5-ED-0,5BU CUNI - 1585757

## Technical data

### Material data

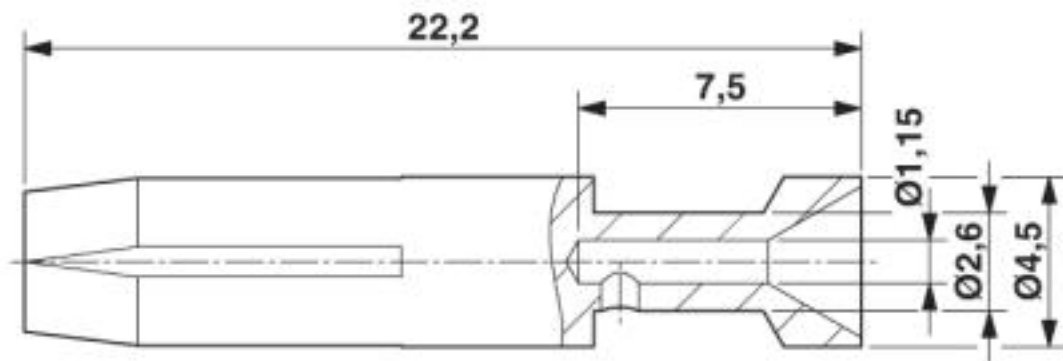
Contact material	Copper-nickel (constants)
------------------	---------------------------

### Environmental Product Compliance

China RoHS	Environmentally friendly use period: unlimited = EFUP-e
	No hazardous substances above threshold values

## Drawings

Dimensional drawing



Dimensional drawing

Phoenix Contact 2019 © - all rights reserved  
<http://www.phoenixcontact.com>

PHOENIX CONTACT GmbH & Co. KG  
Flachsmarktstr. 8  
32825 Blomberg  
Germany  
Tel. +49 5235 300  
Fax +49 5235 3 41200  
<http://www.phoenixcontact.com>