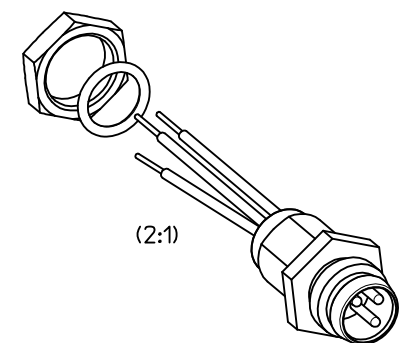
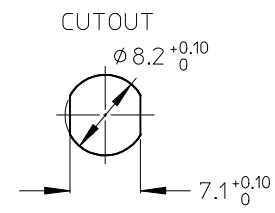
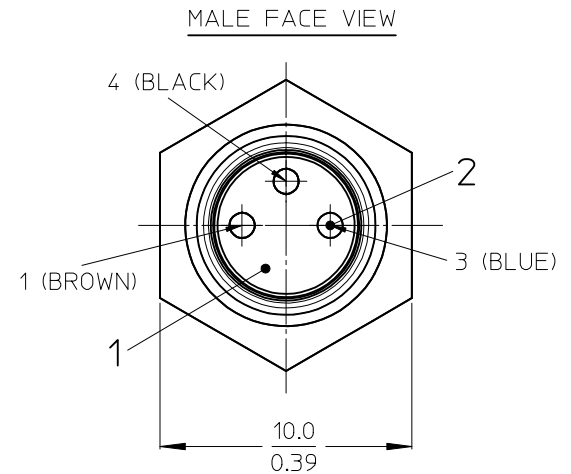
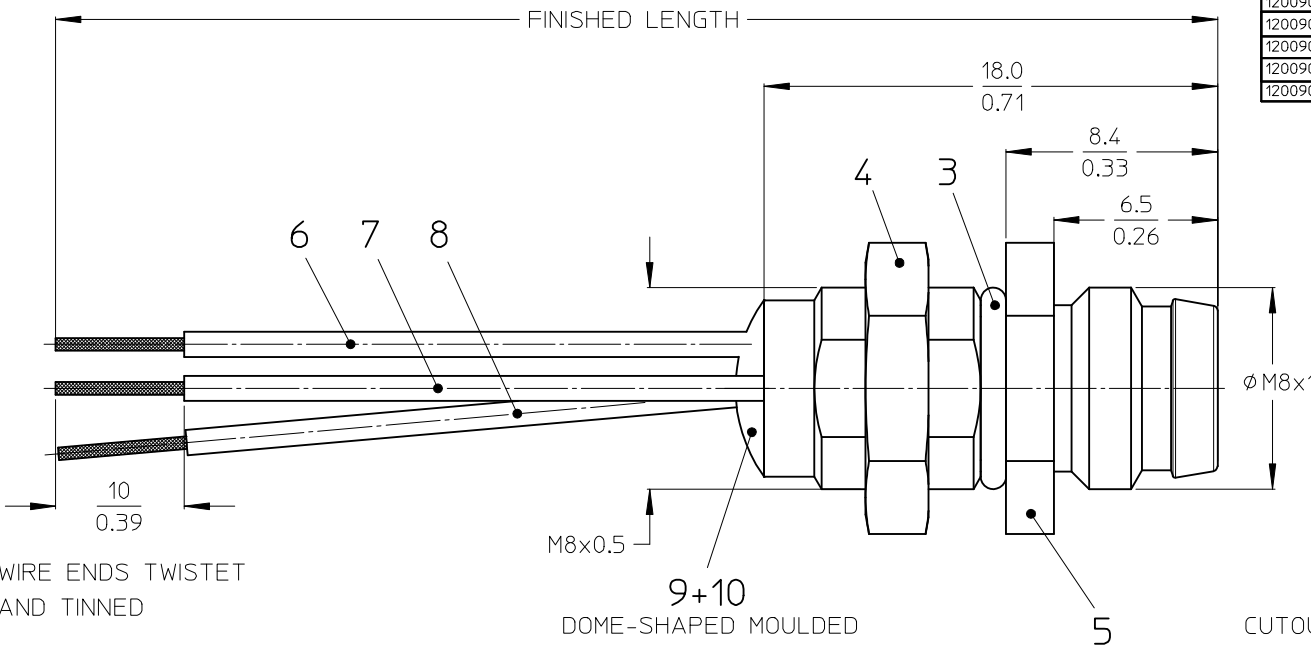


MATERIAL NO.	ENGINEERING NO.	FINISHED LENGTH	POLYBAG (MM)
1200900020	4R3P06A27C300	0.3m +19.1 -0 [11.81' +0.75' -0]	1203000036 (100x150)
1200900062	4R3P06A27C600	0.6m +44.5 -0 [23.6' +1.75' -0]	1203000036 (100x150)
1200900021	4R3P06A27M010	1.0m +55.6 -0 [3.28' +2.19' -0]	1203000038 (180x250)
1200900022	4R3P06A27M020	2.0m +88.9 -0 [6.56' +3.50' -0]	1203000038 (180x250)
1200900067	2EPD3	0.3m +19.1 -0 [11.81' +0.75' -0]	1203000036 (100x150)



WIRE ENDS TWISTET AND TINNED

9+10 DOME-SHAPED MOULDED

WIRING DIAGRAM

1	BROWN
4	BLACK
3	BLUE

ITEM	QTY	COMPONENT	MATERIAL	FINISH
1	1	INSERT	PA12 NATURE	-
2	3	CONTACT PIN	BRASS	Au OVER NI
3	1	GASKET OR	NBR BK	-
4	1	LOCKNUT	BRASS	NI PLATED
5	1	SHELL	BRASS	NI PLATED
6	1	WIRE 24 AWG	PVC BK	-
7	1	WIRE 24 AWG	PVC BN	-
8	1	WIRE 24 AWG	PVC BU	-
9	-	POTTING MATERIAL	WEVO RESIN PU 552 FL NATUR 50	-
10	-	WEVO RESIN HARDNER	-	-

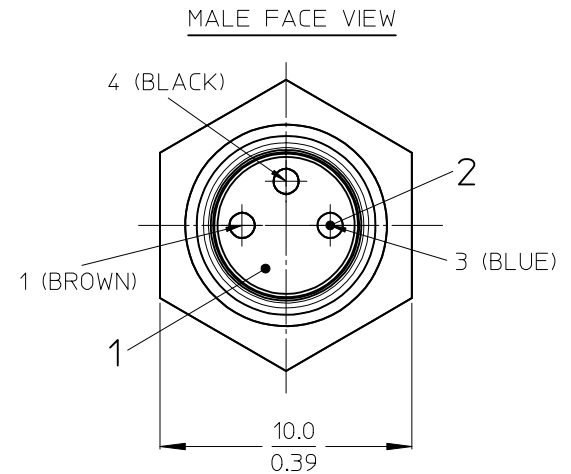
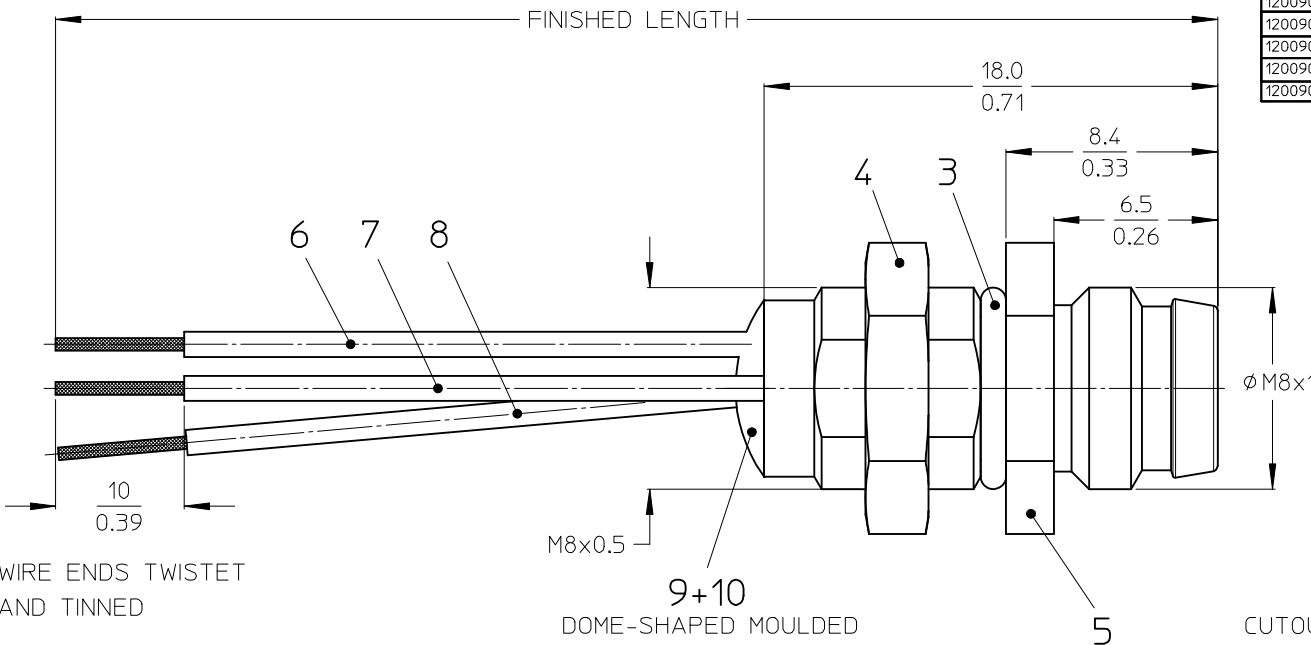
NOTES:

- ELECTRICAL SPECIFICATIONS:
 VOLTAGE RATING: 60 VAC / 75 VDC
 AMPERAGE RATING: 4 AMPS
 PROTECTION: IP67
 OPERATING TEMPERATURE: -20°C TO 105°C
- UL CERTIFICATIONS: UL LISTED, FILE NO. E152210
- CSA CERTIFICATIONS: CSA CERTIFIED, FILE NO. LR6837
- PACKAGING: SINGLE PARTS PACK INTO POLYBAG (SEE CHART)

ENTER DESCRIPTION EC NO: IPG2014-0417 DRW:RSCHIEBER 2013/09/09 CHKD:APOHL 2013/09/09 APPR:CBURGER 2013/09/20	QUALITY SYMBOLS	GENERAL TOLERANCES (UNLESS SPECIFIED)	DIMENSION STYLE	SCALE	DESIGN UNITS	THIRD ANGLE PROJECTION
	▽=0 ◻=0	mm INCH 4 PLACES ± --- ± --- 3 PLACES ± --- ± --- 2 PLACES ± 0.05 ± .01 1 PLACE ± 0.30 ± --- 0 PLACE ± 0.50 ± ---	MM/IN	5:1	METRIC	
	ANGULAR ± 1 ° DRAFT WHERE APPLICABLE MUST REMAIN WITHIN DIMENSIONS	DRAWN BY: RSCHIEBER CHECKED BY: APOHL APPROVED BY: CBURGER DATE: 2013/09/09	TITLE: REC M8 3P MA STR PVC XM M8 FM WIR BRA AU			
	MATERIAL NO. SEE CHART SIZE A3 THIS DRAWING CONTAINS INFORMATION THAT IS PROPRIETARY TO MOLEX INCORPORATED AND SHOULD NOT BE USED WITHOUT WRITTEN PERMISSION	MATERIAL NO. SD-120090-020 DOCUMENT NO. SD-120090-020 SHEET NO. 1 OF 1				

10 9 8 7 6 5 4 3 2 1

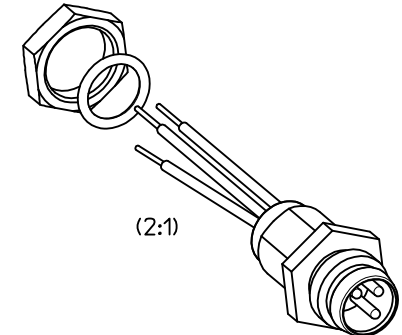
MATERIAL NO.	ENGINEERING NO.	FINISHED LENGTH	POLYBAG (MM)
1200900020	4R3P06A27C300	0.3m +19.1 -0 [11.81' +0.75' -0]	1203000036 (100x150)
1200900062	4R3P06A27C600	0.6m +44.5 -0 [23.6' +1.75' -0]	1203000036 (100x150)
1200900021	4R3P06A27M010	1.0m +55.6 -0 [3.28' +2.19' -0]	1203000038 (180x250)
1200900022	4R3P06A27M020	2.0m +88.9 -0 [6.56' +3.50' -0]	1203000038 (180x250)
1200900067	2EPD3	0.3m +19.1 -0 [11.81' +0.75' -0]	1203000036 (100x150)



WIRING DIAGRAM

1	BROWN
4	BLACK
3	BLUE

ITEM	QTY	COMPONENT	MATERIAL	FINISH
1	1	INSERT	PA12 NATURE	-
2	3	CONTACT PIN	BRASS	Au OVER Ni
3	1	GASKET OR	NBR BK	-
4	1	LOCKNUT	BRASS	Ni PLATED
5	1	SHELL	BRASS	Ni PLATED
6	1	WIRE 24 AWG	PVC BK	-
7	1	WIRE 24 AWG	PVC BN	-
8	1	WIRE 24 AWG	PVC BU	-
9	-	POTTING MATERIAL	WEVO RESIN PU 552 FL NATUR 50	-
10	-	WEVO RESIN HARDNER	-	-



NOTES:

- ELECTRICAL SPECIFICATIONS:
 VOLTAGE RATING: 60 VAC / 75 VDC
 AMPERAGE RATING: 4 AMPS
 PROTECTION: IP67
 OPERATING TEMPERATURE: -20°C TO 105°C
- UL CERTIFICATIONS: UL LISTED, FILE NO. E152210
- CSA CERTIFICATIONS: CSA CERTIFIED, FILE NO. LR6837
- PACKAGING: SINGLE PARTS PACK INTO POLYBAG (SEE CHART)

ENTER DESCRIPTION EC NO: IPG2014-0417 DRW:RSCHIEBER 2013/09/09 CHKD:APOHL 2013/09/09 APPR:CBURGER 2013/09/20	QUALITY SYMBOLS	GENERAL TOLERANCES (UNLESS SPECIFIED)	DIMENSION STYLE	SCALE	DESIGN UNITS	THIRD ANGLE PROJECTION
	▼=0 ◻=0	mm INCH 4 PLACES ± --- ± --- 3 PLACES ± --- ± --- 2 PLACES ± 0.05 ± .01 1 PLACE ± 0.30 ± --- 0 PLACE ± 0.50 ± --- ANGULAR ± 1 °	MM/IN	5:1	METRIC	
	DRAFT WHERE APPLICABLE MUST REMAIN WITHIN DIMENSIONS	DRAWN BY: RSCHIEBER CHECKED BY: APOHL APPROVED BY: CBURGER DATE: 2013/09/09	TITLE: REC M8 3P MA STR PVC XM M8 FM WIR BRA AU	MATERIAL NO. SD-120090-020 DOCUMENT NO. SHEET NO. 1 OF 1		

molex

THIS DRAWING CONTAINS INFORMATION THAT IS PROPRIETARY TO MOLEX INCORPORATED AND SHOULD NOT BE USED WITHOUT WRITTEN PERMISSION

9 8 7 6 5 4 3 2 1