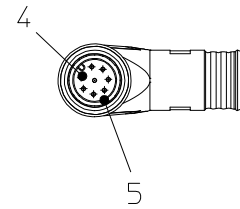
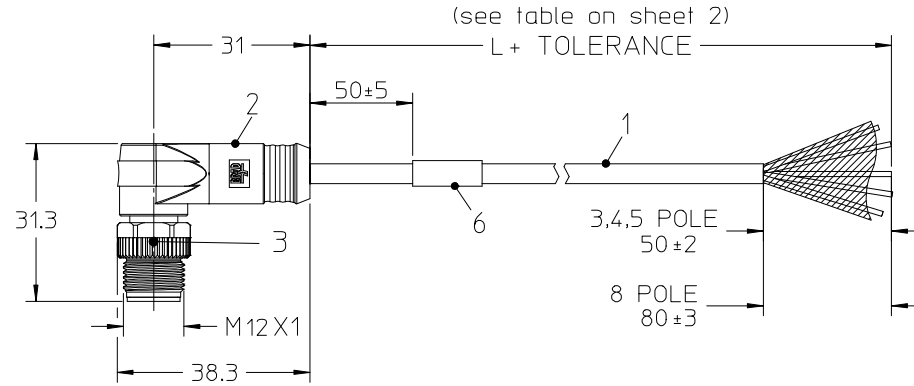


RIGHT ANGLE PLUG MALE

NOTES:

TEMPERATURE RANGE	SEE TABLE ON PAGE 2
CONTACT CURRENT RATING	3-5 POLES 4A 8 POLES 2A
VOLTAGE RATING	3-4 POLES 250V 5 POLES 60V 8 POLES 30V
PROTECTION CLASS	IP 67



VIEW FROM THE FRONT SIDE

Mating face view:

Shield connected to the housing

M12S 3 POLE	M12S 4 POLE	M12S 5 POLE	M12S 8 POLE																																																						
<table border="1"> <tr><th>PIN #</th><th>WIRE</th></tr> <tr><td>1</td><td>BROWN</td></tr> <tr><td>2</td><td>-</td></tr> <tr><td>3</td><td>BLUE</td></tr> <tr><td>4</td><td>BLACK</td></tr> <tr><td>5</td><td>-</td></tr> </table>	PIN #	WIRE	1	BROWN	2	-	3	BLUE	4	BLACK	5	-	<table border="1"> <tr><th>PIN #</th><th>WIRE</th></tr> <tr><td>1</td><td>BROWN</td></tr> <tr><td>2</td><td>WHITE</td></tr> <tr><td>3</td><td>BLUE</td></tr> <tr><td>4</td><td>BLACK</td></tr> <tr><td>5</td><td>-</td></tr> </table>	PIN #	WIRE	1	BROWN	2	WHITE	3	BLUE	4	BLACK	5	-	<table border="1"> <tr><th>PIN #</th><th>WIRE</th></tr> <tr><td>1</td><td>BROWN</td></tr> <tr><td>2</td><td>WHITE</td></tr> <tr><td>3</td><td>BLUE</td></tr> <tr><td>4</td><td>BLACK</td></tr> <tr><td>5</td><td>GREY</td></tr> </table>	PIN #	WIRE	1	BROWN	2	WHITE	3	BLUE	4	BLACK	5	GREY	<table border="1"> <tr><th>PIN #</th><th>WIRE</th></tr> <tr><td>1</td><td>WHITE</td></tr> <tr><td>2</td><td>BROWN</td></tr> <tr><td>3</td><td>GREEN</td></tr> <tr><td>4</td><td>YELLOW</td></tr> <tr><td>5</td><td>GREY</td></tr> <tr><td>6</td><td>PINK</td></tr> <tr><td>7</td><td>BLUE</td></tr> <tr><td>8</td><td>RED</td></tr> </table>	PIN #	WIRE	1	WHITE	2	BROWN	3	GREEN	4	YELLOW	5	GREY	6	PINK	7	BLUE	8	RED
PIN #	WIRE																																																								
1	BROWN																																																								
2	-																																																								
3	BLUE																																																								
4	BLACK																																																								
5	-																																																								
PIN #	WIRE																																																								
1	BROWN																																																								
2	WHITE																																																								
3	BLUE																																																								
4	BLACK																																																								
5	-																																																								
PIN #	WIRE																																																								
1	BROWN																																																								
2	WHITE																																																								
3	BLUE																																																								
4	BLACK																																																								
5	GREY																																																								
PIN #	WIRE																																																								
1	WHITE																																																								
2	BROWN																																																								
3	GREEN																																																								
4	YELLOW																																																								
5	GREY																																																								
6	PINK																																																								
7	BLUE																																																								
8	RED																																																								
CODING REQUIRED TO IEC 61076-2-101																																																									

≤ 1m	+40 mm
1m - 5m	+60 mm
5m - 10m	+80 mm
> 10m	+140 mm
> 20m	+160 mm
> 30m	+1%

Bill of Materials

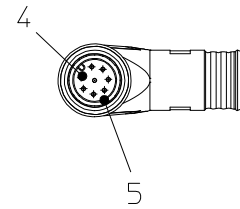
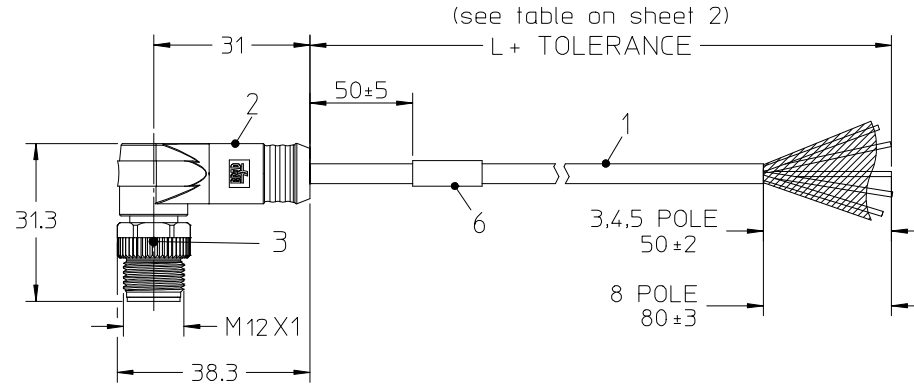
ITEM	QTY.	DESCRIPTION	MATERIAL	FINISH
6	1	LABEL	-	-
5	1	INSERT XP MALE M12 SHIELD	PUR	BLACK
4	X	PIN MALE	BRASS	GOLD OVER NICKEL
3	1	KNU/HEX NUT M12 MALE	BRASS	CuNi3B
2	-	MOLDING NATURAL	TPU	BLACK
1	-	CABLE	SEE TABLE (SHEET 2)	-

PN ADDED EC NO: IPG2016-0365 DRWN:MAJGAT 2015/09/10 CHKD:AKONDRAC LUK 2015/09/10 APPR:MIWASIECZKO 2015/09/23	DESCRIPTION B1	QUALITY SYMBOLS ▽=0 ◻=0	GENERAL TOLERANCES (UNLESS SPECIFIED)		DIMENSION STYLE MM ONLY		SCALE ---	DESIGN UNITS METRIC	THIRD ANGLE PROJECTION		
					DRAWN BY JMARSZALEK		DATE 2014/09/20	TITLE CSE M12 XP AC MA RA TPU XXM SE SHLD BK			
					CHECKED BY WSTRASZKIEWI		DATE 2014/09/20				
					APPROVED BY MIWASIECZKO		DATE 2014/12/11				
		ANGULAR ± 1 °		MATERIAL NO.		DOCUMENT NO. SD-120069-009		SHEET NO. 1 OF 2			
		DRAFT WHERE APPLICABLE MUST REMAIN WITHIN DIMENSIONS		SEE TABLE		THIS DRAWING CONTAINS INFORMATION THAT IS PROPRIETARY TO MOLEX INCORPORATED AND SHOULD NOT BE USED WITHOUT WRITTEN PERMISSION					

RIGHT ANGLE PLUG MALE

NOTES:

TEMPERATURE RANGE	SEE TABLE ON PAGE 2
CONTACT CURRENT RATING	3-5 POLES 4A 8 POLES 2A
VOLTAGE RATING	3-4 POLES 250V 5 POLES 60V 8 POLES 30V
PROTECTION CLASS	IP 67



VIEW FROM THE FRONT SIDE

Mating face view:

Shield connected to the housing

M12S 3 POLE	M12S 4 POLE	M12S 5 POLE	M12S 8 POLE																																																						
<table border="1"> <tr><th>PIN #</th><th>WIRE</th></tr> <tr><td>1</td><td>BROWN</td></tr> <tr><td>2</td><td>-</td></tr> <tr><td>3</td><td>BLUE</td></tr> <tr><td>4</td><td>BLACK</td></tr> <tr><td>5</td><td>-</td></tr> </table>	PIN #	WIRE	1	BROWN	2	-	3	BLUE	4	BLACK	5	-	<table border="1"> <tr><th>PIN #</th><th>WIRE</th></tr> <tr><td>1</td><td>BROWN</td></tr> <tr><td>2</td><td>WHITE</td></tr> <tr><td>3</td><td>BLUE</td></tr> <tr><td>4</td><td>BLACK</td></tr> <tr><td>5</td><td>-</td></tr> </table>	PIN #	WIRE	1	BROWN	2	WHITE	3	BLUE	4	BLACK	5	-	<table border="1"> <tr><th>PIN #</th><th>WIRE</th></tr> <tr><td>1</td><td>BROWN</td></tr> <tr><td>2</td><td>WHITE</td></tr> <tr><td>3</td><td>BLUE</td></tr> <tr><td>4</td><td>BLACK</td></tr> <tr><td>5</td><td>GREY</td></tr> </table>	PIN #	WIRE	1	BROWN	2	WHITE	3	BLUE	4	BLACK	5	GREY	<table border="1"> <tr><th>PIN #</th><th>WIRE</th></tr> <tr><td>1</td><td>WHITE</td></tr> <tr><td>2</td><td>BROWN</td></tr> <tr><td>3</td><td>GREEN</td></tr> <tr><td>4</td><td>YELLOW</td></tr> <tr><td>5</td><td>GREY</td></tr> <tr><td>6</td><td>PINK</td></tr> <tr><td>7</td><td>BLUE</td></tr> <tr><td>8</td><td>RED</td></tr> </table>	PIN #	WIRE	1	WHITE	2	BROWN	3	GREEN	4	YELLOW	5	GREY	6	PINK	7	BLUE	8	RED
PIN #	WIRE																																																								
1	BROWN																																																								
2	-																																																								
3	BLUE																																																								
4	BLACK																																																								
5	-																																																								
PIN #	WIRE																																																								
1	BROWN																																																								
2	WHITE																																																								
3	BLUE																																																								
4	BLACK																																																								
5	-																																																								
PIN #	WIRE																																																								
1	BROWN																																																								
2	WHITE																																																								
3	BLUE																																																								
4	BLACK																																																								
5	GREY																																																								
PIN #	WIRE																																																								
1	WHITE																																																								
2	BROWN																																																								
3	GREEN																																																								
4	YELLOW																																																								
5	GREY																																																								
6	PINK																																																								
7	BLUE																																																								
8	RED																																																								
CODING REQUIRED TO IEC 61076-2-101																																																									

≤ 1m	+40 mm
1m - 5m	+60 mm
5m - 10m	+80 mm
> 10m	+140 mm
> 20m	+160 mm
> 30m	+1%

Bill of Materials

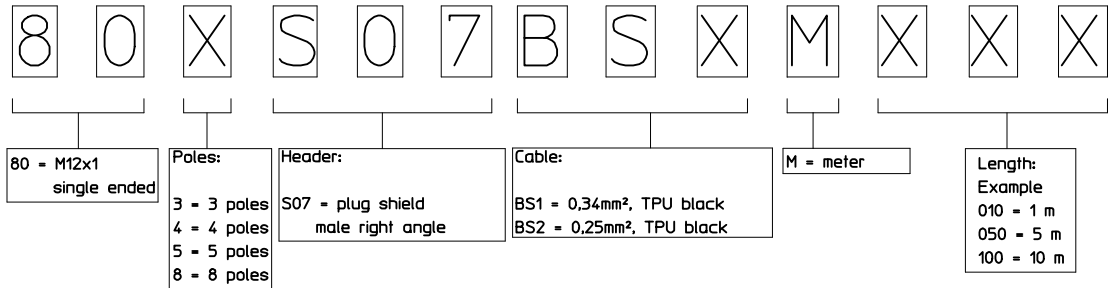
ITEM	QTY.	DESCRIPTION	MATERIAL	FINISH
6	1	LABEL	-	-
5	1	INSERT XP MALE M12 SHIELD	PUR	BLACK
4	X	PIN MALE	BRASS	GOLD OVER NICKEL
3	1	KNU/HEX NUT M12 MALE	BRASS	CuNi3B
2	-	MOLDING NATURAL	TPU	BLACK
1	-	CABLE	SEE TABLE (SHEET 2)	-

PN ADDED EC NO: IPG2016-0365 DRWN: MJA/GAT 2015/09/10 CHKD: AKONDRAC LUK 2015/09/10 APPR: MIWASIECZKO 2015/09/23	QUALITY SYMBOLS ▽=0 ◻=0	GENERAL TOLERANCES (UNLESS SPECIFIED)		DIMENSION STYLE		SCALE	DESIGN UNITS	THIRD ANGLE PROJECTION	
				MM ONLY		---	METRIC		
				mm	INCH	DRAWN BY	DATE		TITLE
				4 PLACES ± --- ± ---	JMARSZALEK 2014/09/20	CSE M12 XP AC MA RA TPU XXM SE SHLD BK			
B1	DESCRIPTION	DRAFT WHERE APPLICABLE MUST REMAIN WITHIN DIMENSIONS		SEE TABLE		DOCUMENT NO.		SHEET NO.	
				ANGULAR ± 1 °		SD-120069-009		1 OF 2	
				MATERIAL NO.		THIS DRAWING CONTAINS INFORMATION THAT IS PROPRIETARY TO MOLEX INCORPORATED AND SHOULD NOT BE USED WITHOUT WRITTEN PERMISSION			
				SIZE					

TABLE 1

MOLEX PN	ENGINEERING No.	CABLE LENGTH "L" IN M
1200698628	803S07BS1M010	1M
1200698629	803S07BS1M020	2M
1200698630	803S07BS1M050	5M
1200698631	803S07BS1M100	10M
1200698632	804S07BS1M010	1M
1200698633	804S07BS1M020	2M
1200698634	804S07BS1M050	5M
1200698635	804S07BS1M100	10M
1200698636	805S07BS1M010	1M
1200698637	805S07BS1M020	2M
1200698638	805S07BS1M050	5M
1200698639	805S07BS1M100	10M
1200698640	808S07BS2M010	1M
1200698641	808S07BS2M020	2M
1200698642	808S07BS2M050	5M
1200698643	808S07BS2M100	10M
1200699002	805S07BS1M070	7M

NUMERICAL CODE



CABLE SPECIFICATION

CABLE TYPE	WIRE GAUGE	CABLE JACKET	UL	CSA	Temp. range static Bending radius static	Temp. range dynamic Bending radius dynamic	drag chain tested	shield type	other information
BS1 3P, 4P, 5P	0.34mm ²	TPU black	STYLE 21215	yes	-40°C to +90°C 5xD	-25°C to +80°C 7.5xD	5 mio cycles	braid	WELD SLAG RESISTANCE
BS2 8P	0.25mm ²	TPU black	STYLE 21215	yes	-40°C to +90°C 5xD	-25°C to +80°C 7.5xD	5 mio cycles	braid	WELD SLAG RESISTANCE

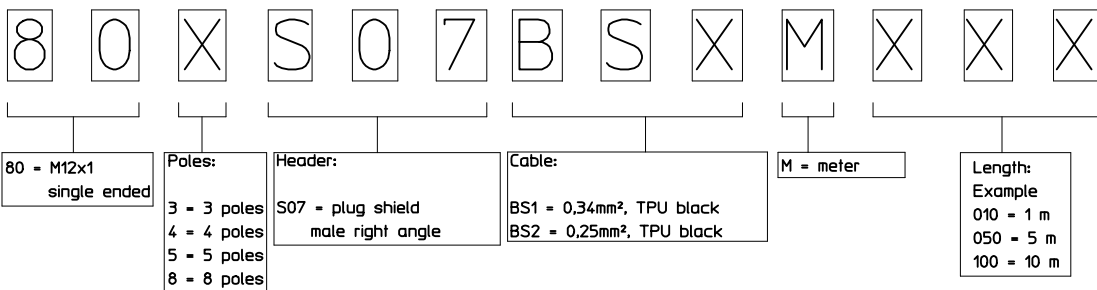
For Raw Cable Specification see SD-120209-003

PN ADDED EC NO: IPG2016-0365 DRWN: MAJGAT 2015/09/10 CHKD: AKONDRAC LUK 2015/09/10 APPR: MIWASIECZKO 2015/09/23	QUALITY SYMBOLS ▽=0 ◻=0	GENERAL TOLERANCES (UNLESS SPECIFIED)		DIMENSION STYLE MM ONLY		SCALE ---	DESIGN UNITS METRIC	THIRD ANGLE PROJECTION		
			mm	INCH	DRAWN BY JMARSZALEK	DATE 2014/09/20	TITLE CSE M12 XP AC MA RA TPU XXM SE SHLD BK			
		4 PLACES	± ---	± ---	CHECKED BY WSTRASZKIEWI	DATE 2014/09/20				
		3 PLACES	± ---	± ---	APPROVED BY MIWASIECZKO	DATE 2014/12/11				
2 PLACES	± ---	± ---	ANGULAR ± 1 °		MATERIAL NO.	DOCUMENT NO.		SHEET NO.		
1 PLACE	± ---	± ---	DRAFT WHERE APPLICABLE MUST REMAIN WITHIN DIMENSIONS		SEE TABLE 1	SD-120069-009		2 OF 2		
0 PLACE	± ---	± ---	THIS DRAWING CONTAINS INFORMATION THAT IS PROPRIETARY TO MOLEX INCORPORATED AND SHOULD NOT BE USED WITHOUT WRITTEN PERMISSION							

TABLE 1

MOLEX PN	ENGINEERING No.	CABLE LENGTH "L" IN M
1200698628	803S07BS1M010	1M
1200698629	803S07BS1M020	2M
1200698630	803S07BS1M050	5M
1200698631	803S07BS1M100	10M
1200698632	804S07BS1M010	1M
1200698633	804S07BS1M020	2M
1200698634	804S07BS1M050	5M
1200698635	804S07BS1M100	10M
1200698636	805S07BS1M010	1M
1200698637	805S07BS1M020	2M
1200698638	805S07BS1M050	5M
1200698639	805S07BS1M100	10M
1200698640	808S07BS2M010	1M
1200698641	808S07BS2M020	2M
1200698642	808S07BS2M050	5M
1200698643	808S07BS2M100	10M
1200699002	805S07BS1M070	7M

NUMERICAL CODE



CABLE SPECIFICATION

CABLE TYPE	WIRE GAUGE	CABLE JACKET	UL	CSA	Temp. range static Bending radius static	Temp. range dynamic Bending radius dynamic	drag chain tested	shield type	other information
BS1 3P, 4P, 5P	0.34mm ²	TPU black	STYLE 21215	yes	-40°C to +90°C 5xD	-25°C to +80°C 7.5xD	5 mio cycles	braid	WELD SLAG RESISTANCE
BS2 8P	0.25mm ²	TPU black	STYLE 21215	yes	-40°C to +90°C 5xD	-25°C to +80°C 7.5xD	5 mio cycles	braid	WELD SLAG RESISTANCE

For Raw Cable Specification see SD-120209-003

PN ADDED EC NO: IPG2016-0365 DRWN:MAJGAT 2015/09/10 CHKD:AKONDRAC LUK 2015/09/10 APPR:MIWASIECZKO 2015/09/23	QUALITY SYMBOLS	GENERAL TOLERANCES (UNLESS SPECIFIED)	DIMENSION STYLE	SCALE	DESIGN UNITS	THIRD ANGLE PROJECTION	
	▼=0 ◻=0	mm INCH	MM ONLY	---	METRIC		
		4 PLACES ± --- ± --- 3 PLACES ± --- ± --- 2 PLACES ± --- ± --- 1 PLACE ± --- ± --- 0 PLACE ± --- ± ---	DRAWN BY DATE JMARSZALEK 2014/09/20 CHECKED BY DATE WSTRASZKIEWI 2014/09/20 APPROVED BY DATE MIWASIECZKO 2014/12/11	TITLE	CSE M12 XP AC MA RA TPU XXM SE SHLD BK		
		ANGULAR ± 1 ° DRAFT WHERE APPLICABLE MUST REMAIN WITHIN DIMENSIONS	MATERIAL NO. SEE TABLE 1	DOCUMENT NO. SD-120069-009	SHEET NO. 2 OF 2		