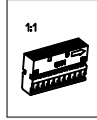
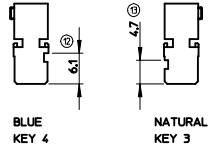
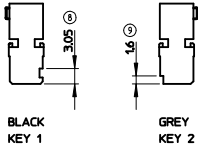
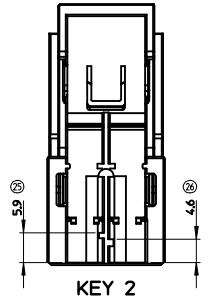
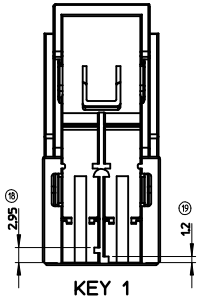
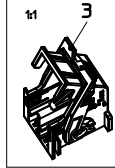
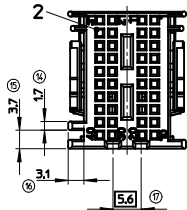
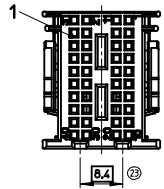


1	Piece	98687 0004	MOX RPT HSG DR KEY4 PBT BLU 20CKT	PBT-GF20	BLUE	4	1,62		
1	Piece	98687 0003	MOX RPT HSG DR KEY3 PBT NAT 20CKT	PBT-GF20	NATURAL	3	1,62		
1	Piece	98687 0002	MOX RPT HSG DR KEY2 PBT GRY 20CKT	PBT-GF20	GREY	2	1,62		
1	Piece	98687 0001	MOX RPT HSG DR KEY1 PBT BLK 20CKT	PBT-GF20	BLACK	1	1,62		
AMOUNT	UNIT	MATERIAL NO.	DESCRIPTION	MATERIAL	COLOUR	KEY	WEIGHT (g)	KEY 1	KEY 2

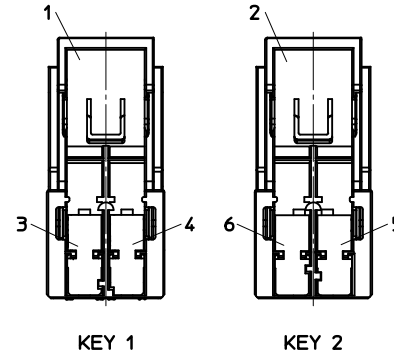
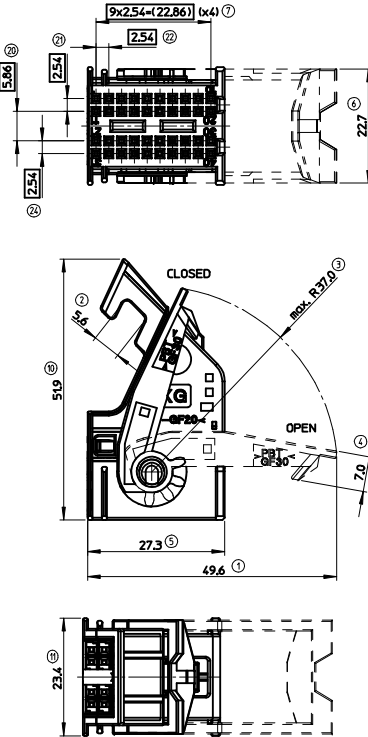


6	1	Piece	98687 0004	MOX RPT HSG DR KEY4 PBT BLU 20CKT	PBT-GF20	BLUE	4	1,62		1
5	1	Piece	98687 0003	MOX RPT HSG DR KEY3 PBT NAT 20CKT	PBT-GF20	NATURAL	3	1,62		1
4	1	Piece	98687 0002	MOX RPT HSG DR KEY2 PBT GRY 20CKT	PBT-GF20	GREY	2	1,62	1	
3	1	Piece	98687 0001	MOX RPT HSG DR KEY1 PBT BLK 20CKT	PBT-GF20	BLACK	1	1,62	1	
2	1	Piece	98694 0002	MOX RPT CARR ASSY 4R KEY2 BLU 40CKT	--	BLUE	2	7,59		1
1	1	Piece	98694 0001	MOX RPT CARR ASSY 4R KEY1 BLK 40CKT	--	BLACK	1	7,59	1	
ITEM	AMOUNT	UNIT	MATERIAL NO.	DESCRIPTION	MATERIAL	COLOUR	KEY	WEIGHT (g)	KEY 1	KEY 2

3	1	Piece	98689 0001	MOX LEV PBT RED	PBT-GF30	RED	--	1,77	1	1
2	1	Piece	98688 0002	MOX RPT CARR 4R KEY2 PBT BLU 40CKT	PBT-GF20	BLUE	2	5,82		1
1	1	Piece	98688 0001	MOX RPT CARR 4R KEY1 PBT BLK 40CKT	PBT-GF20	BLACK	1	5,82	1	
ITEM	AMOUNT	UNIT	MATERIAL NO.	DESCRIPTION	MATERIAL	COLOUR	KEY	WEIGHT (g)	KEY 1	KEY 2



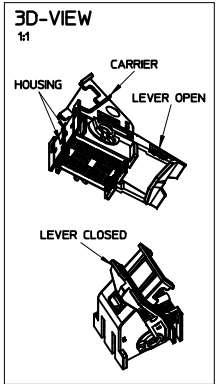
1	Piece	98694 0002	MOX RPT CARR ASSY 4R KEY2 BLU 40CKT	2	7,59
1	Piece	98694 0001	MOX RPT CARR ASSY 4R KEY1 BLK 40CKT	1	7,59
AMOUNT	UNIT	MATERIAL NO.	DESCRIPTION	KEY	WEIGHT (g)



**NOTES**  
Bemerkung:

- PART FITS TO INTERFACE ACC. RSD-98194-001  
Schnittstelle nach Zeichnung: RSD-98194-001
- USED CONTACT: MOX 0,635  
Für Kontakt: MOX 0,635
- APPLICATION SPECIFICATION: TBD  
Anwendung-Spezifikation: nicht festgelegt
- DELIVERY STATE (LEVER IN CLOSED POSITION)  
Lieferzustand (Hebel in geschlossenen Zustand)
- LAST INSPECTION NUMBER: 26  
Letzte Maßidentifikationsnummer: 26  
REMOVED:  
entfernt:

THEORETICAL DIMENSION  
Theoretische Maß



1	Piece	98686 0002	MOX RPT KIT 4R KEY2 BLU 40CKT	2	10,83
1	Piece	98686 0001	MOX RPT KIT 4R KEY1 BLK 40CKT	1	10,83
AMOUNT	UNIT	MATERIAL NO.	DESCRIPTION	KEY	WEIGHT (g)

EC NO: G2004-0393 DRAWN: MLUTZ 2004/07/19 CHKD: SFARKAS 2004/07/19 APPR: JHOYER 2004/07/20	QUALITY SYMBOLS	GENERAL TOLERANCES (UNLESS SPECIFIED)	SCALE 2:1	DESIGN UNITS METRIC	FIRST ANGLE PROJECTION	REVISE ON CAD ONLY
	▲ 0 ▽ 0	4 PLACES ± --- ± --- 3 PLACES ± --- ± --- 2 PLACES ± 0.25 ± --- 1 PLACE ± 0.25 ± --- ANGULAR ± 2 °	DIMENSION STYLE MM ONLY	DRAWN BY DATE NME 01/08/24	TITLE RCPT KIT 4 ROW 40CKT ASSY FOR 0,635 MOX/MQS TERM.	
		DRAFT WHERE APPLICABLE MUST REMAIN WITHIN DIMENSIONS		CHECKED BY DATE MBE 01/08/24	MATERIAL NO. DOCUMENT NO. SEE TABLE SD-98686-001	
		APPROVED BY DATE JHO 01/08/24		MOLEX INCORPORATED		SHEET NO. 1 OF 1

THIS DRAWING CONTAINS INFORMATION THAT IS PROPRIETARY TO MOLEX INCORPORATED AND SHOULD NOT BE USED WITHOUT WRITTEN PERMISSION