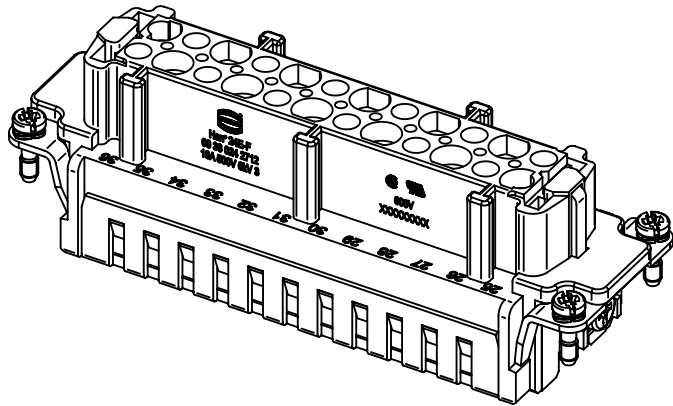
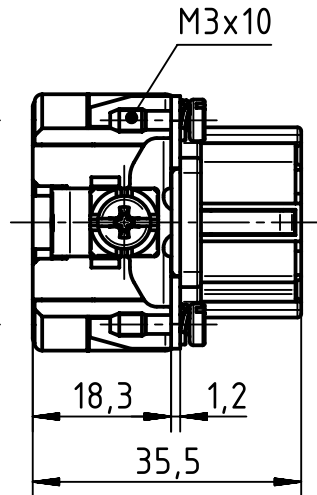
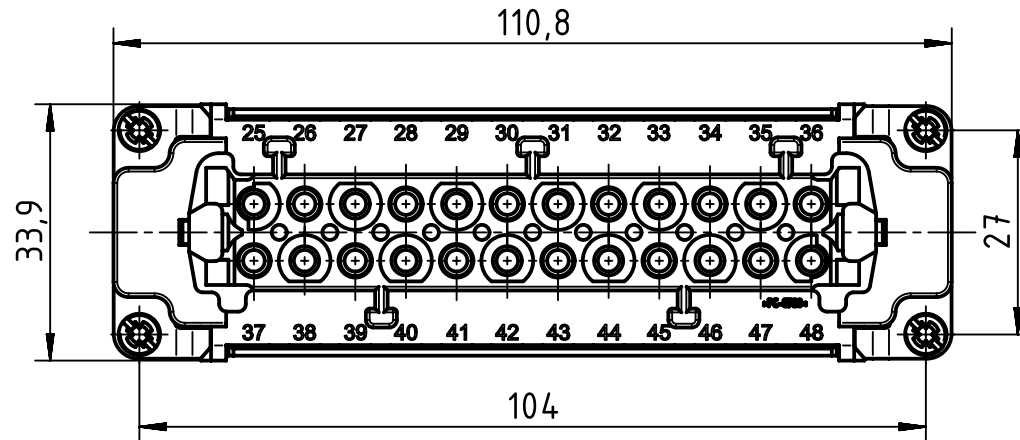
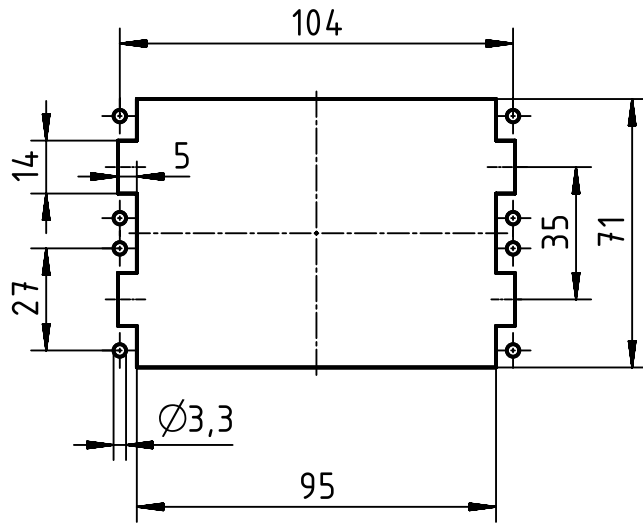


panel cut out
(1:2)



	All Dimensions in mm Original Size DIN A4		Scale 1:1	Free size tol.		Ref.	
						Sub.	
	All rights reserved Department EL PD - DE		Created by KLASSEN P	Inspected by BERGHORN	Standardisation RUETERA	Date 2017-04-13	State Final Release
	HARTING Electric GmbH & Co. KG D-32339 Espelkamp		Title Han 24 E-bu-c 25-48			Doc-Key / ECM-Nr. 100615043/UGD/002/C 500000117434	
			Type TB	Number 09 33 024 2712		Rev. C	Page 1/1