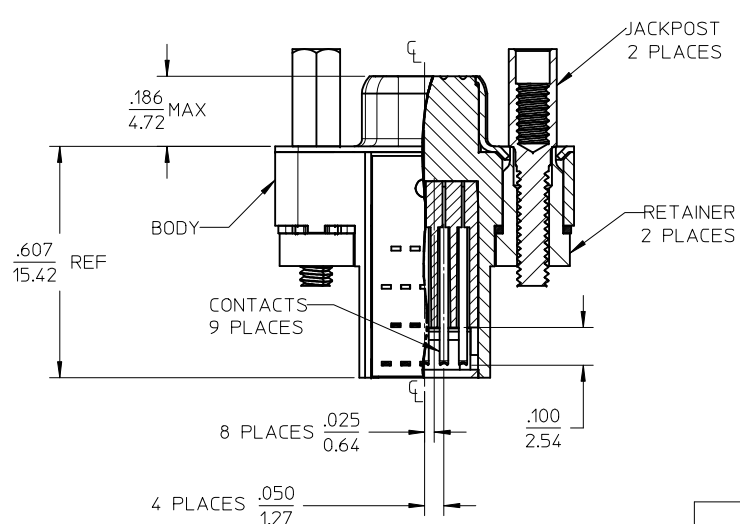
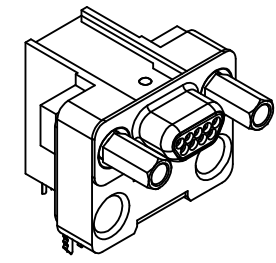
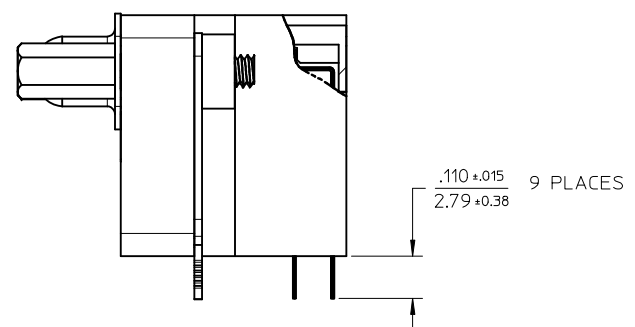
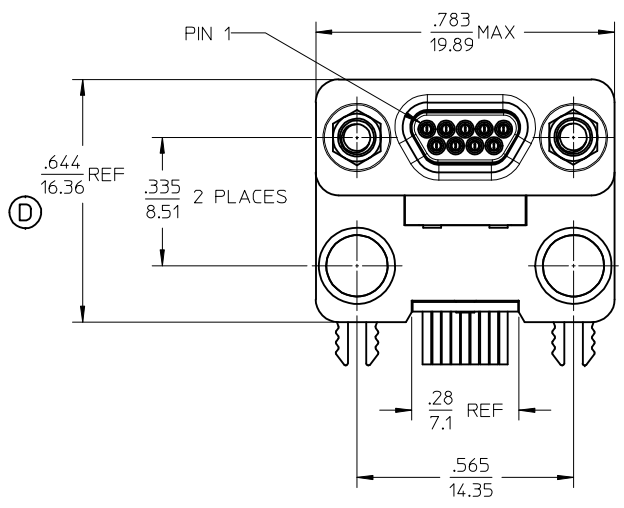


10 9 8 7 6 5 4 3 2 1



SALES DRAWING

NOTES:
 1. MUST BE ROHS COMPLIANT
 2. .055/1.40 RECOMMENDED PANEL THICKNESS

REVISE DIM EC NO: WNA2010-0136 DRWN: BRUPERT 2009/08/26 CHKD: BRUPERT 2009/08/26 APPR: JFMURPHY 2009/09/22	DESCRIPTION D	QUALITY SYMBOLS ▽=0 ≡=0	GENERAL TOLERANCES (UNLESS SPECIFIED)		DIMENSION STYLE IN/MM		SCALE 3:1	DESIGN UNITS INCH	THIRD ANGLE PROJECTION				
				mm	INCH	DRAWN BY JLOMASTRO	DATE 05/08/19	TITLE 9 CIRCUIT HIGH STACK COMMERCIAL MICRO D HEADER					
			4 PLACES ± --- ± ---	3 PLACES ± --- ± .005	2 PLACES ± 0.13 ± .01	1 PLACE ± 0.25 ± ---	CHECKED BY RDEROSS	DATE 05/08/19	MOLEX INCORPORATED DOCUMENT NO. SD-83619-010 SHEET NO. 1 OF 1				
			ANGULAR ±1/2°				APPROVED BY JFMURPHY	DATE 2009/08/26					
DRAFT WHERE APPLICABLE MUST REMAIN WITHIN DIMENSIONS			SIZE A3	THIS DRAWING CONTAINS INFORMATION THAT IS PROPRIETARY TO MOLEX INCORPORATED AND SHOULD NOT BE USED WITHOUT WRITTEN PERMISSION									

9 8 7 6 5 4 3 2 1