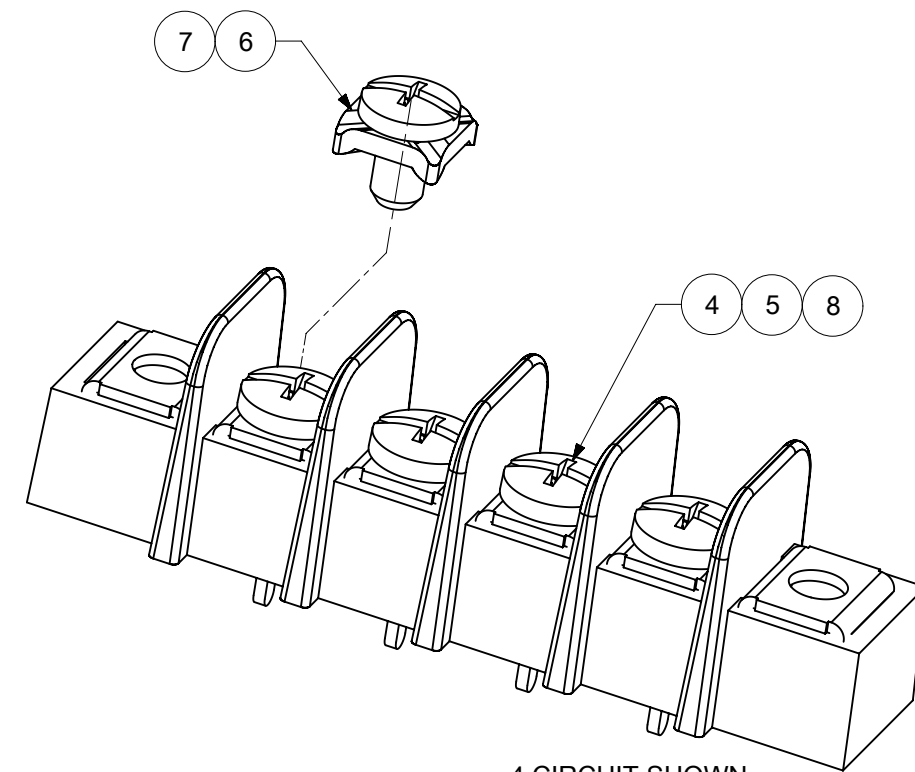
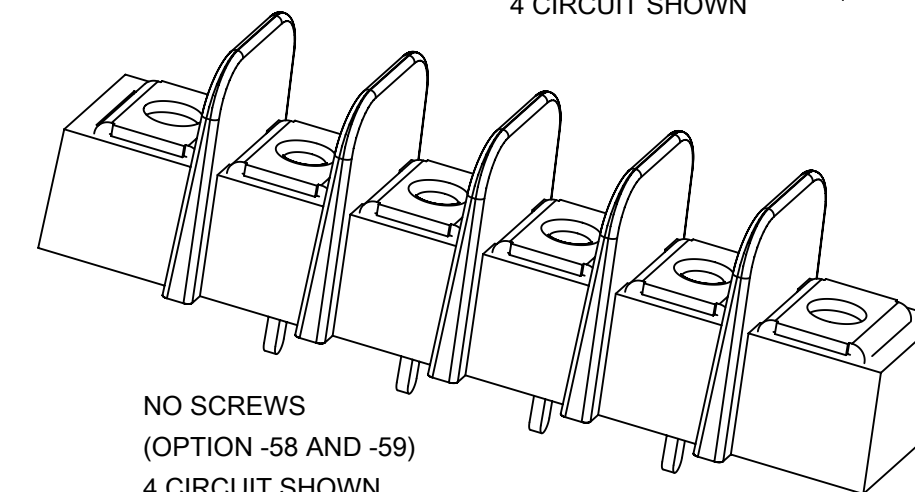
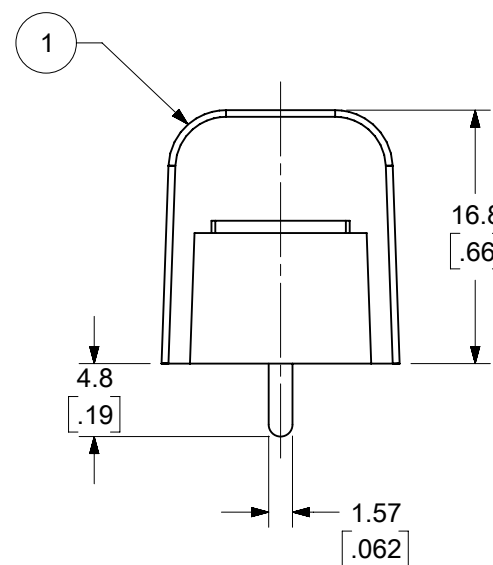
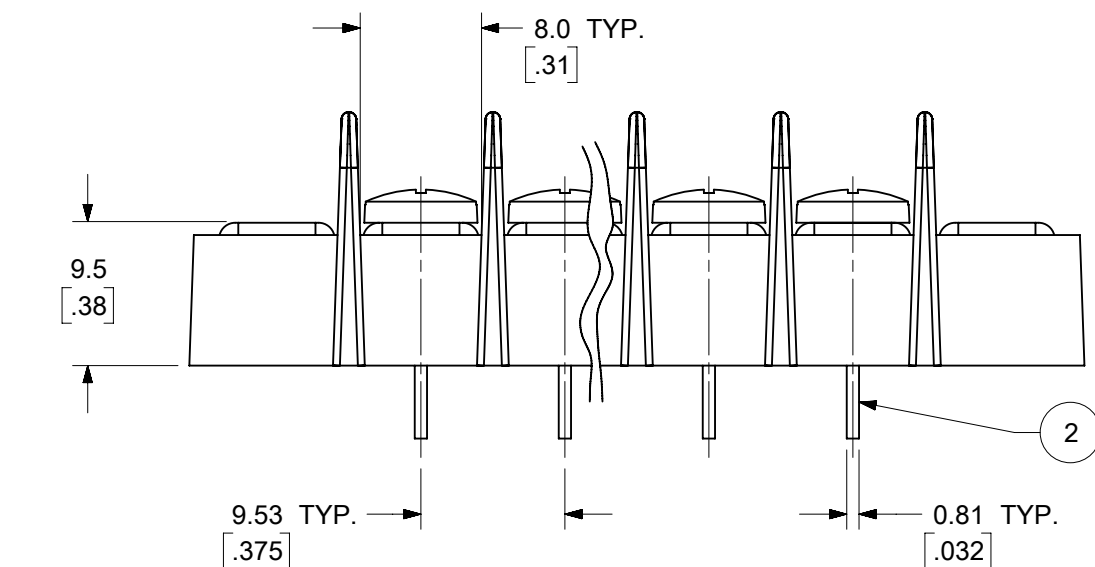


WIRE READY SPEC. (OPTION -47)
(FOR OPTIONAL SCREW -50
AND STANDARD SCREW.)



4 CIRCUIT SHOWN



NO SCREWS
(OPTION -58 AND -59)
4 CIRCUIT SHOWN

NOTES:

1. MATERIAL: SEE TABLE
2. FINISHES: SEE TABLE
3. INCH DIMENSIONS ARE IN BRACKETS [XXX].
4. REFER TO SD-38120-001 FOR IMPRINTING OPTIONS 10A AND 11A.
5. REFER TO SD-38120-007 FOR IMPRINTING OPTION 12A.
6. "XX" REFERS TO THE QUANTITY OF CIRCUITS.
7. ALL COMPONENTS ARE ROHS COMPLIANT.

| | | | | |
|------|------|--|-----------------|--------------------|
| 10 | XX | #6-32 WRDY W/WASH SCR (OPT -47,-50) | STEEL | ZN, CLEAR CHROMATE |
| 9 | XX | #6-32 PH/SLOT WRDY SCR (OPT -47) | STEEL | ZN, CLEAR CHROMATE |
| 8 | XX | #6-32 BHD, PHIL-SLOT SST SCR (OPT -56) | STAINLESS STEEL | PASSIVATE |
| 7 | XX | #6-32 PH/SL W/WASH SCR (OPT -49,-50) | BRASS | NICKEL |
| 6 | XX | #6-32 PH/SL W/WASH SCR (OPT -50) | STEEL | ZN, CLEAR CHROMATE |
| 5 | XX | #6-32 PH/SLOTTED SCREW (OPT -49) | BRASS | NICKEL |
| 4 | XX | #6-32 PH/SLOTTED SCREW (STD) | STEEL | ZN, CLEAR CHROMATE |
| 3 | 2 | MOUNTING PLATE | BRASS | NICKEL |
| 2 | XX | TERMINAL, PC | BRASS | BRT. TIN/CU |
| 1 | 1 | INSULATOR, SINGLE ROW | PBT | BLACK |
| ITEM | QTY. | DESCRIPTION | MATERIAL | FINISH |

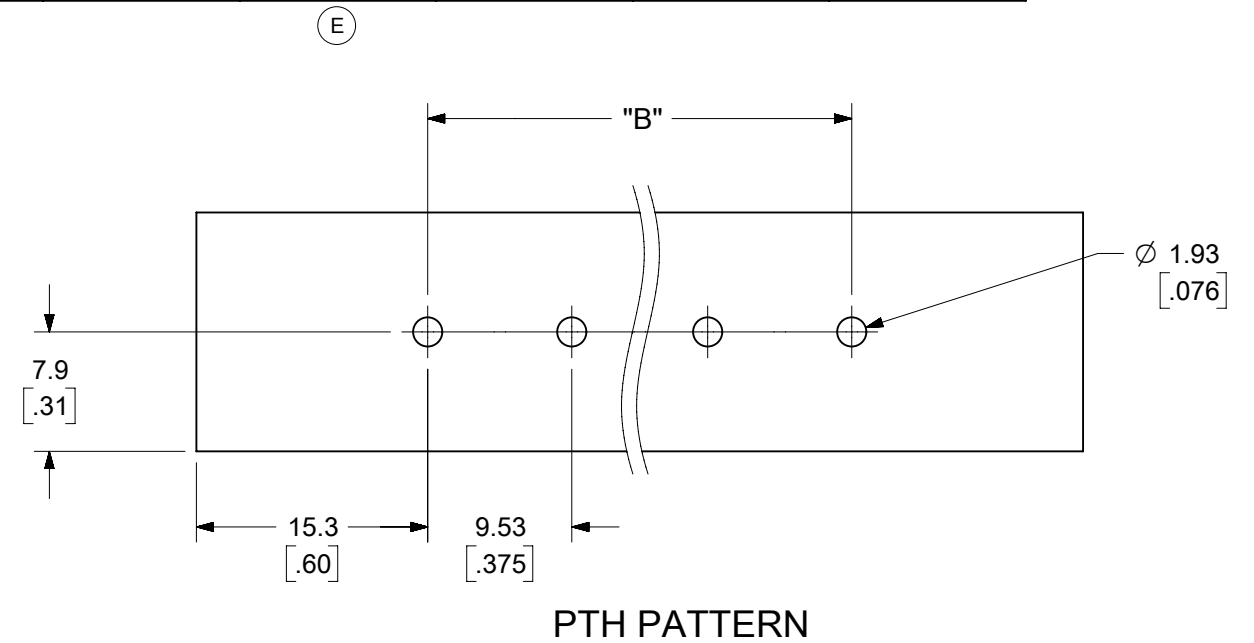
| TOLERANCES | | | |
|------------|-------|-----------|-------|
| MM | TOL | INCH | TOL |
| 0-6 | ±0.25 | 0-.24 | ±.010 |
| >6-30 | ±0.40 | .24-1.18 | ±.016 |
| >30-120 | ±0.50 | 1.18-4.76 | ±.020 |
| >120 | ±0.80 | >4.76 | ±.031 |

| | | | |
|-----------------|--|---|---|
| SYMBOLS | | THIS DRAWING CONTAINS INFORMATION THAT IS PROPRIETARY TO MOLEX ELECTRONIC TECHNOLOGIES, LLC AND SHOULD NOT BE USED WITHOUT WRITTEN PERMISSION | |
| ▽ = 0 | MM/INCH | SCALE | 2:1 |
| ▽ = 0 | GENERAL TOLERANCES (UNLESS SPECIFIED) | | CURRENT REV DESC: ADDED PNS 387290485 & 387291667 |
| ▽ = 0 | 4 PLACES ± | MM | INCH |
| ▽ = 0 | 3 PLACES ± | SEE CHART | SEE CHART |
| ▽ = 0 | 2 PLACES ± | SEE CHART | SEE CHART |
| ▽ = 0 | 1 PLACE ± | SEE CHART | SEE CHART |
| ▽ = 0 | 0 PLACES ± | SEE CHART | SEE CHART |
| ⊠ = 0 | ANGULAR TOL ± | | --- |
| ■ = 0 | DRAFT WHERE APPLICABLE MUST REMAIN WITHIN DIMENSIONS | | THIRD ANGLE PROJECTION |
| ▽ = 0 | | | DRAWING |
| | | SERIES | 38720 |
| DOCUMENT NUMBER | | CUSTOMER | GENERAL MARKET |
| SD-38720-001 | | DOC PART | 001 |
| REVISION | | E | |
| MATERIAL NUMBER | | SEE SHEET-2 | |
| SHEET NUMBER | | 1 OF 2 | |

| NUMBER OF CIRCUITS "XX" | MATERIAL NO. (OPT 12A) | MATERIAL NO. (OPT 11A) | MATERIAL NO. (OPT 10A) | MATERIAL NO. (OPT -59) | MATERIAL NO. (OPT -58) | MATERIAL NO. (OPT -56) | MATERIAL NO. (OPT -50) | MATERIAL NO. (OPT -49,-50) | MATERIAL NO. (OPT -49) | MATERIAL NO. (OPT -49,-59) | MATERIAL NO. (OPT -47,-50) | MATERIAL NO. (STD) | NUMBER OF CIRCUITS "XX" |
|-------------------------|------------------------|------------------------|------------------------|------------------------|------------------------|------------------------|------------------------|----------------------------|------------------------|----------------------------|----------------------------|--------------------|-------------------------|
| 01 | | | | | | 387290659 | | | | | | 387206201 | 01 |
| 02 | | | 387291039 | | 387290750 | 387290791 | 387207402 | 387291381 | 387206802 | | | 387206202 | 02 |
| 03 | 387290872 | 387290025 | 387290014 | | | 387290117 | 387207403 | | 387206803 | | 387208603 | 387206203 | 03 |
| 04 | | | 387290940 | 387290945 | | 387290839 | 387207404 | 387291159 | 387206804 | | | 387206204 | 04 |
| 05 | 387290256 | | 387290346 | | | 387291253 | 387207405 | 387291382 | 387206805 | | | 387206205 | 05 |
| 06 | | | | 387290400 | 387290386 | 387290980 | 387207406 | 387291383 | 387206806 | | | 387206206 | 06 |
| 07 | | | 387290423 | 387290407 | | 387290435 | 387207407 | | 387206807 | | | 387206207 | 07 |
| 08 | 387290497 | | | | | 387290508 | 387207408 | | 387206808 | 387290485 | | 387206208 | 08 |
| 09 | | | 387290548 | | | 387290560 | 387207409 | | 387206809 | | | 387206209 | 09 |
| 10 | | | 387291011 | 387290598 | 387290598 | 387291663 | 387207410 | | 387206810 | | | 387206210 | 10 |
| 11 | | | | | | 387291252 | 387207411 | | | | | 387206211 | 11 |
| 12 | | | 387290720 | | | 387290735 | 387207412 | | 387206812 | 387291667 | | 387206212 | 12 |
| 13 | | | | | | 387290809 | 387207413 | | | | | 387206213 | 13 |
| 14 | | | | | | 387290004 | 387207414 | | 387206814 | | | 387206214 | 14 |
| 15 | | | | | | | | | | | | 387206215 | 15 |
| 16 | | | | | | | | | | | | 387206216 | 16 |
| 17 | | | | | | | | | | | | 387206217 | 17 |
| 18 | | | | | | | | | | | | 387206218 | 18 |
| 19 | | | | | | | | | | | | 387206219 | 19 |
| 20 | | | | | | | | | | | | 387206220 | 20 |
| 21 | | | | | | | | | | | | 387206221 | 21 |
| 22 | | | | | | | | | | | | 387206222 | 22 |
| 23 | | | | | | | | | | | | 387206223 | 23 |
| 24 | | | | | | | | | | | | 387206224 | 24 |
| 25 | | | | | | | | | | | | 387206225 | 25 |
| 26 | | | | | | | | | | | | 387206226 | 26 |

| NUMBER OF CIRCUITS "XX" | DIM. "A" | | DIM. "B" | | DIM. "C" | | DIM. "D" | |
|-------------------------|----------|---------|----------|---------|----------|---------|----------|--------|
| 01 | 30.7 | [1.21] | -- | -- | 19.1 | [.75] | 11.6 | [.46] |
| 02 | 40.1 | [1.58] | 9.53 | [.375] | 28.6 | [1.13] | 21.1 | [.83] |
| 03 | 49.7 | [1.96] | 19.05 | [.750] | 38.1 | [1.50] | 30.6 | [1.21] |
| 04 | 59.2 | [2.33] | 28.58 | [1.125] | 47.6 | [1.88] | 40.1 | [1.58] |
| 05 | 68.7 | [2.71] | 38.10 | [1.500] | 57.2 | [2.25] | 49.7 | [1.96] |
| 06 | 78.2 | [3.08] | 47.63 | [1.875] | 66.7 | [2.63] | 59.2 | [2.33] |
| 07 | 87.8 | [3.46] | 57.15 | [2.250] | 76.2 | [3.00] | 68.7 | [2.71] |
| 08 | 97.3 | [3.83] | 66.68 | [2.625] | 85.7 | [3.38] | 78.2 | [3.08] |
| 09 | 106.8 | [4.21] | 76.20 | [3.000] | 95.3 | [3.75] | 87.8 | [3.46] |
| 10 | 116.3 | [4.58] | 85.73 | [3.375] | 104.8 | [4.13] | 97.3 | [3.83] |
| 11 | 125.9 | [4.96] | 95.25 | [3.750] | 114.3 | [4.50] | 106.8 | [4.21] |
| 12 | 135.4 | [5.33] | 104.78 | [4.125] | 123.8 | [4.88] | 116.3 | [4.58] |
| 13 | 144.9 | [5.71] | 114.30 | [4.500] | 133.4 | [5.25] | 125.9 | [4.96] |
| 14 | 154.4 | [6.08] | 123.83 | [4.875] | 142.9 | [5.63] | 135.4 | [5.33] |
| 15 | 164.0 | [6.46] | 133.35 | [5.250] | 152.4 | [6.00] | 144.9 | [5.71] |
| 16 | 173.5 | [6.83] | 142.88 | [5.625] | 161.9 | [6.38] | 154.4 | [6.08] |
| 17 | 183.0 | [7.21] | 152.40 | [6.000] | 171.5 | [6.75] | 164.0 | [6.46] |
| 18 | 192.5 | [7.58] | 161.93 | [6.375] | 181.0 | [7.13] | 173.5 | [6.83] |
| 19 | 202.1 | [7.96] | 171.45 | [6.750] | 190.5 | [7.50] | 183.0 | [7.21] |
| 20 | 211.6 | [8.33] | 180.98 | [7.125] | 200.0 | [7.88] | 192.5 | [7.58] |
| 21 | 221.1 | [8.71] | 190.50 | [7.500] | 209.6 | [8.25] | 202.1 | [7.96] |
| 22 | 230.6 | [9.08] | 200.03 | [7.875] | 219.1 | [8.63] | 211.6 | [8.33] |
| 23 | 240.2 | [9.46] | 209.55 | [8.250] | 228.6 | [9.00] | 221.1 | [8.71] |
| 24 | 249.7 | [9.83] | 219.08 | [8.625] | 238.1 | [9.38] | 230.6 | [9.08] |
| 25 | 259.2 | [10.21] | 228.60 | [9.000] | 247.7 | [9.75] | 240.2 | [9.46] |
| 26 | 268.7 | [10.58] | 238.13 | [9.375] | 257.2 | [10.13] | 249.7 | [9.83] |

| TOLERANCES | | | |
|------------|-------|-----------|-------|
| MM | TOL | INCH | TOL |
| 0-6 | ±0.25 | 0-.24 | ±.010 |
| >6-30 | ±0.40 | .24-1.18 | ±.016 |
| >30-120 | ±0.50 | 1.18-4.76 | ±.020 |
| >120 | ±0.80 | >4.76 | ±.031 |



| | | | |
|---------|---|------------------------|---|
| SYMBOLS | THIS DRAWING CONTAINS INFORMATION THAT IS PROPRIETARY TO MOLEX ELECTRONIC TECHNOLOGIES, LLC AND SHOULD NOT BE USED WITHOUT WRITTEN PERMISSION | | |
| | DIMENSION UNITS | SCALE | CURRENT REV DESC: ADDED PNS 387290485 & 387291667 |
| ▽ = 0 | MM/INCH | 2:1 | molex 9.53MM [.375"] SR BTS, PC ASSY |
| ▽ = 0 | GENERAL TOLERANCES (UNLESS SPECIFIED) | | |
| ▽ = 0 | 4 PLACES ± --- ± --- | MM | INCH |
| ▽ = 0 | 3 PLACES ± --- ± --- | SEE CHART | SEE CHART |
| ▽ = 0 | 2 PLACES ± --- ± --- | SEE CHART | SEE CHART |
| ▽ = 0 | 1 PLACE ± --- ± --- | SEE CHART | SEE CHART |
| ▽ = 0 | 0 PLACES ± --- ± --- | SEE CHART | SEE CHART |
| ▽ = 0 | ANGULAR TOL ± --- | | |
| ▽ = 0 | DRAFT WHERE APPLICABLE MUST REMAIN WITHIN DIMENSIONS | THIRD ANGLE PROJECTION | DRAWING |
| | | SERIES | MATERIAL NUMBER |
| | | B-SIZE | 38720 |
| | | CUSTOMER | GENERAL MARKET |
| | | SHEET NUMBER | 2 OF 2 |