

XZCP1340L10

Pre wired connectors XZ, elbowed female, M12, 3 pins, cable PUR 10 m



Main

| | |
|------------------------------------|----------------------------------|
| Range of Product | Telemecanique Cabling components |
| Accessory / separate part category | Cabling accessory |
| Accessory / Separate Part Type | Pre-wired connectors |
| Series name | General purpose |

Complementary

| | |
|--------------------------------|--------------------------------------|
| Electrical connection | Elbowed female connector M12, 3 pins |
| Cable connector fixing | Screw-on |
| Collar material | Metal |
| Status LED | 2 PNP LEDs |
| Cable length | 32.81 ft (10 m) |
| Cable outer diameter | 0.20 in (5.2 mm) |
| Cable composition | 3 x 0.34 mm ² |
| Wire insulation material | PUR |
| [Ue] rated operational voltage | 10...30 V DC |
| Line Rated Current | 4 A |
| Contact resistance | 5000 μOhm |
| Minimum insulating resistance | 1 GΩ |

Environment

| | |
|---------------------------------------|---|
| IP Degree of Protection | IP69K IP67 IP65 |
| Product Certifications | cULus |
| Ambient air temperature for operation | -40...176 °F (-40...80 °C) static 23...176 °F (-5...80 °C) flexing |
| Ambient Air Temperature for Storage | -40...176 °F (-40...80 °C) |

Ordering and shipping details

| | |
|-----------------------|----------------------|
| Category | 22483-MACHINE CABLES |
| Discount Schedule | DS3 |
| GTIN | 3389110763256 |
| Nbr. of units in pkg. | 1 |
| Package weight(Lbs) | 8.89 oz (252.0 g) |
| Returnability | No |
| Country of origin | CZ |

Packing Units

| | |
|------------------------------|---------------------------|
| Unit Type of Package 1 | PCE |
| Package 1 Height | 2.09 in (5.3 cm) |
| Package 1 width | 7.32 in (18.6 cm) |
| Package 1 Length | 7.44 in (18.9 cm) |
| Unit Type of Package 2 | S02 |
| Number of Units in Package 2 | 10 |
| Package 2 Weight | 6.31 lb(US) (2.863 kg) |
| Package 2 Height | 5.91 in (15 cm) |
| Package 2 width | 11.81 in (30 cm) |
| Package 2 Length | 15.75 in (40 cm) |
| Unit Type of Package 3 | P06 |
| Number of Units in Package 3 | 160 |
| Package 3 Weight | 119.73 lb(US) (54.308 kg) |
| Package 3 Height | 30.31 in (77 cm) |
| Package 3 width | 31.50 in (80 cm) |
| Package 3 Length | 23.62 in (60 cm) |

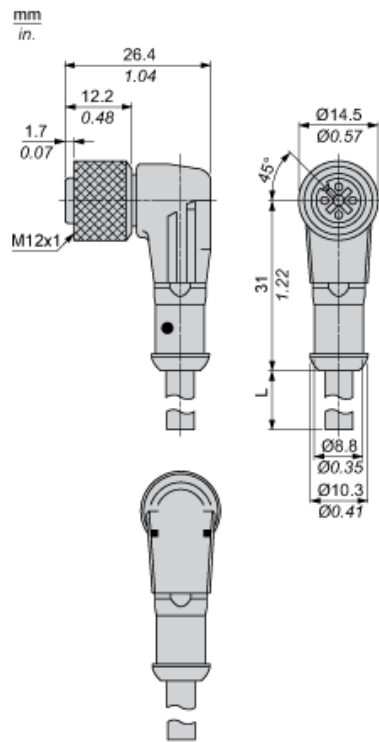
Offer Sustainability

| | |
|----------------------------|---|
| Sustainable offer status | Green Premium product |
| California proposition 65 | WARNING: This product can expose you to chemicals including: Diisononyl phthalate (DINP), which is known to the State of California to cause cancer, and Di-isodecyl phthalate (DIDP), which is known to the State of California to cause birth defects or other reproductive harm. For more information go to www.P65Warnings.ca.gov |
| REACH Regulation | REACH Declaration |
| EU RoHS Directive | Pro-active compliance (Product out of EU RoHS legal scope) EU RoHS Declaration |
| Mercury free | Yes |
| RoHS exemption information | Yes |
| Environmental Disclosure | Product Environmental Profile |
| Circularity Profile | End Of Life Information |

Contractual warranty

| | |
|----------|-----------|
| Warranty | 18 months |
|----------|-----------|

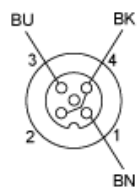
Dimensions



L : Length of cable

Connections and Schemes

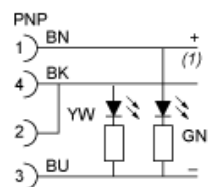
Connector



BN : Brown
BK : Black
BU : Blue

Connections and Schemes

LED Connection



BN : Brown
BK : Black
BU : Blue
GN : Green
YW : Yellow
(1) Signal