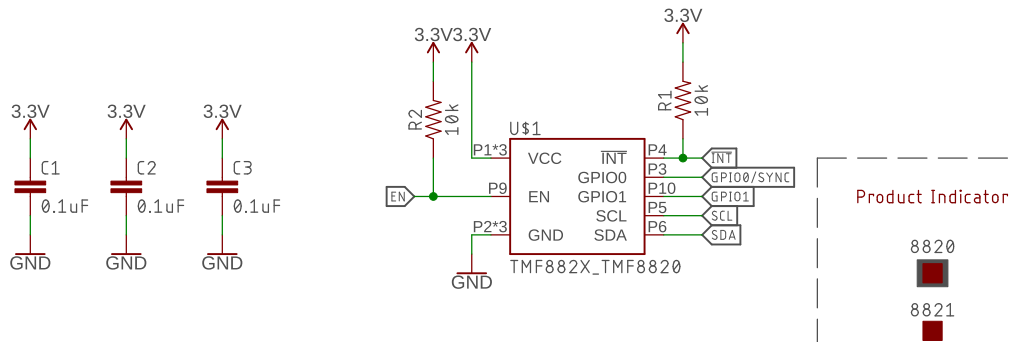


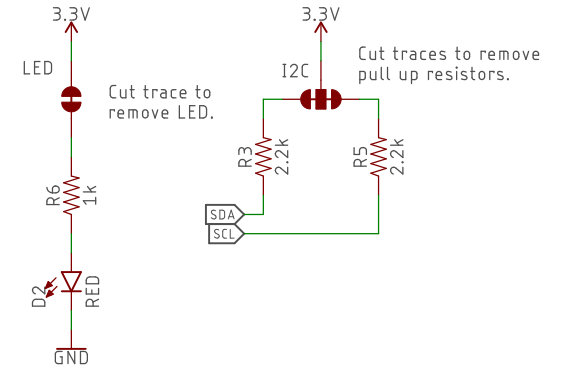
Distance Time of Flight Sensor: TMF8820

VCC Range: 2.7V – 3.3V
I/O VCC Range: 1.62V – 3.3V

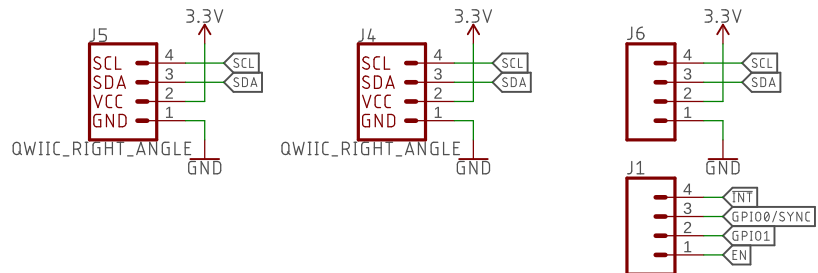
Default Address: 0x41



Jumpers



Qwiic Connectors and Header



Released under the Creative Commons
Attribution Share-Alike 4.0 License
<https://creativecommons.org/licenses/by-sa/4.0/>



TITLE: SparkFun_dToF-TMF8820

Design by: Elias Santistevan

REV:
v10

Date: 4/7/2022 11:57 AM

Sheet: 1/1