

Outils à commander séparément.  
Tools to be ordered separately.



Clé de verrouillage réf: 30712.  
locking tool P/N: 30712.



Embout de verrouillage réf: 30711.  
locking tool P/N: 30711.



Fermé  
Closed

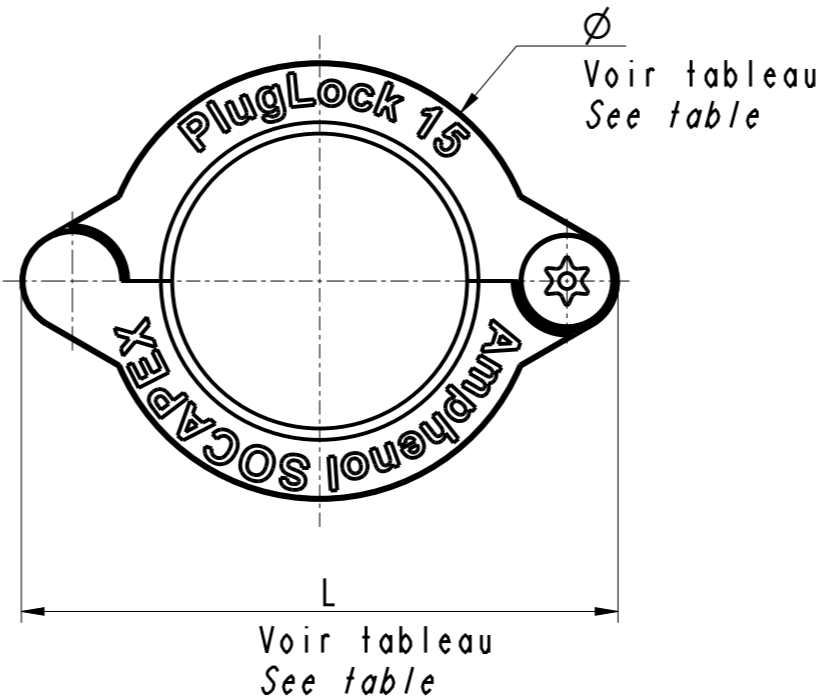
Taille (voir tableau)  
Size (see table)

Vis torx inclu  
Torx screw included

## PlugLock 15 TX

Bouchon plastique de cybersécurité verrouillable pour fiches et embases connectées type MIL-DTL-38999 série III.

Lockable plastic cybersecurity cap for type MIL-DTL-38999 serie III mated plugs and receptacles.

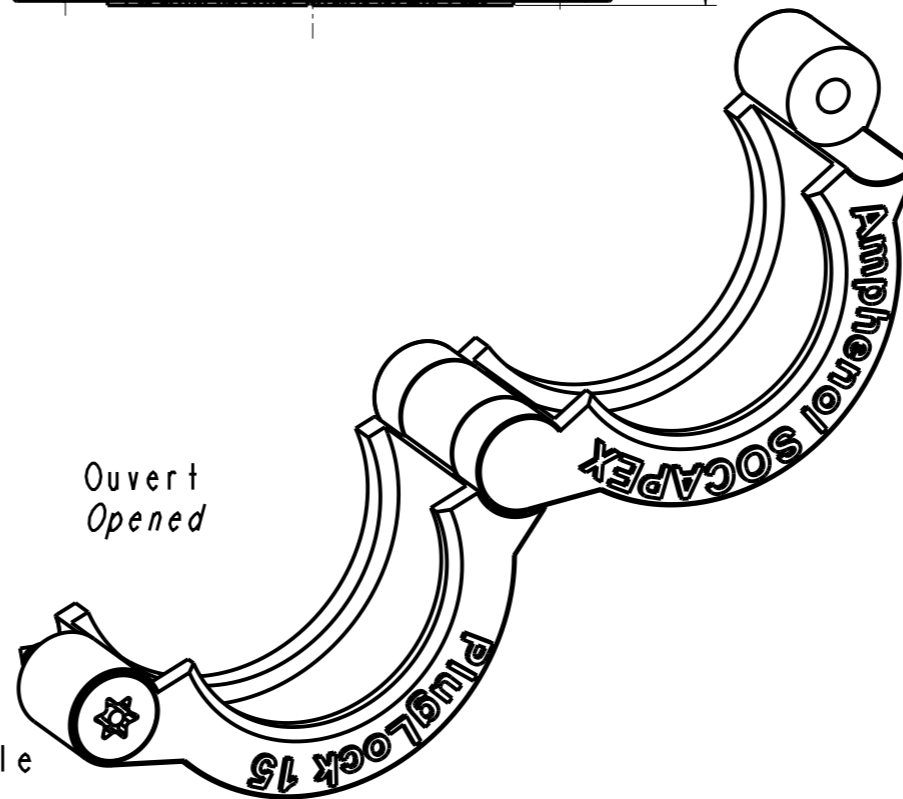


Ø  
Voir tableau  
See table

Voir tableau  
See table

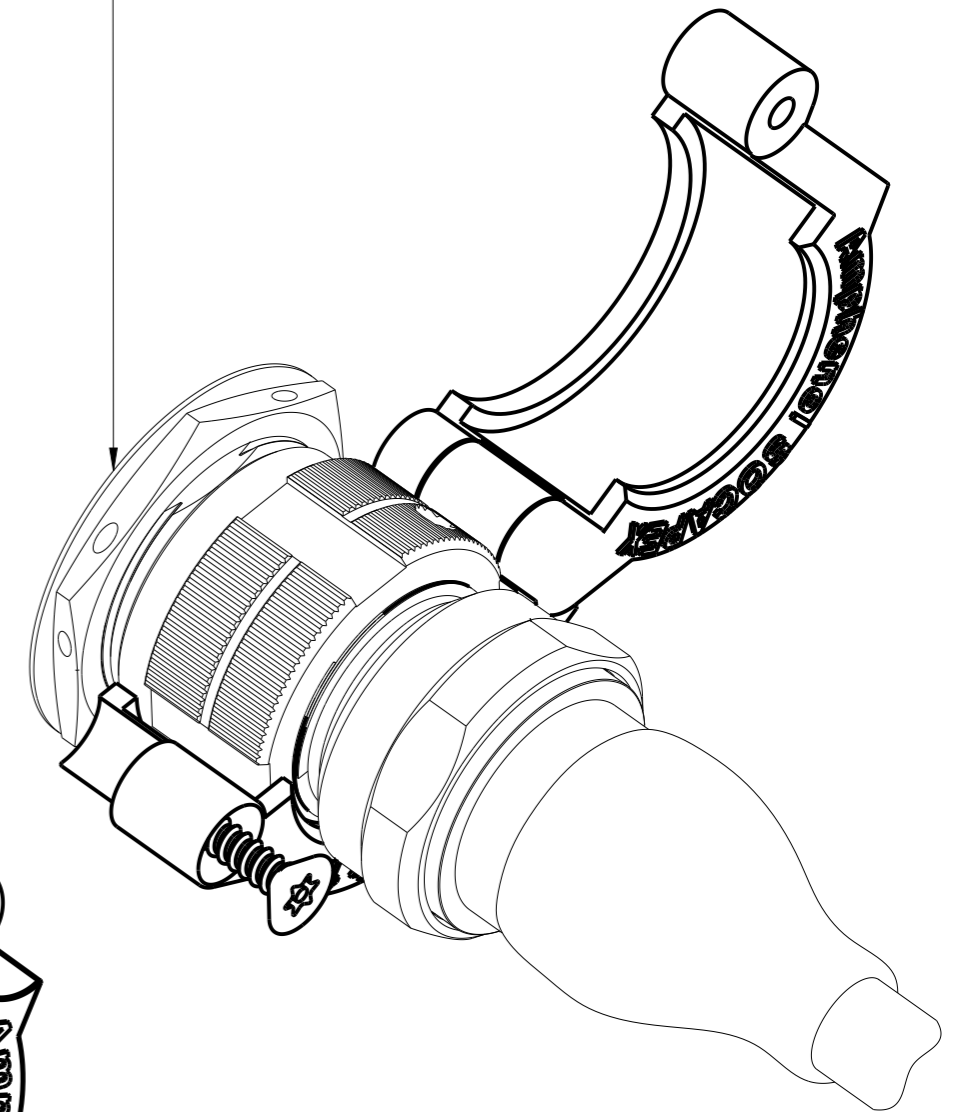


21



Ouvert  
Opened

Embase et fiche connectées type MIL-DTL-38999 série III  
Mated receptacle and plug type MIL-DTL-38999 serie III



Shell size	Ø ±0.2/[0.008]	L ±0.2/[0.008]
T09	28.3 / [1.102]	42.3 / [1.653]
T11	31 / [1.220]	45 / [1.771]
T13	35.4 / [1.377]	49.4 / [1.929]
T15	38.6 / [1.496]	52.6 / [2.047]
T17	42.1 / [1.653]	56.1 / [2.204]
T19	44.8 / [1.732]	58.8 / [2.283]
T21	48 / [1.889]	62 / [2.440]
T23	51 / [2.007]	65 / [2.559]
T25	54.2 / [2.125]	68.2 / [2.677]

APPROVAL FOR MANUFACTURING  
Add missing specifications on the drawing if necessary (specific labellings, tolerances,...)

DRAWN BY: G TURPIN

UPDATED BY: L WALASZEK

LAST APPROVED BY: M RINSANT

CUSTOMER :

PROGRAM :

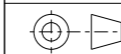
CUSTOMER SIGNATURE

Name :

Date :

ALL DIMENSIONS ARE IN MM

SCALE : 1,5



AMPHENOL SOCAPEX

B.P. 29 74311 THYEZ CEDEX

ORIGINAL DRAWING DATE : 17/02/22

CONFIGURATION DATA ARE AVAILABLE IN PDM

REV : B

PAGE : 1/1

191-PLC-1074-00