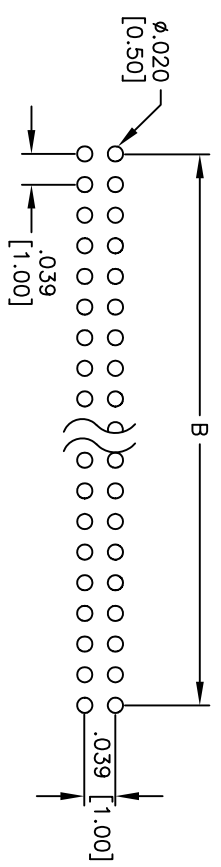
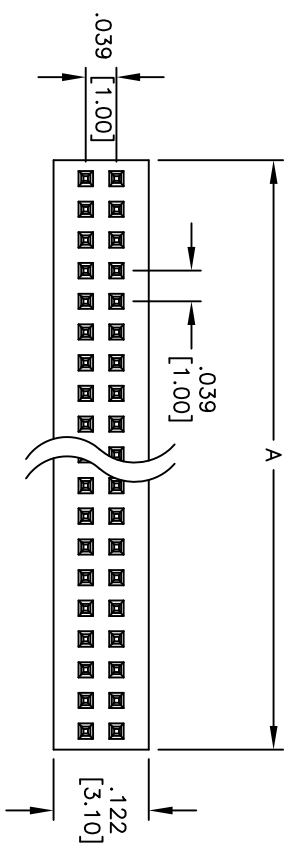
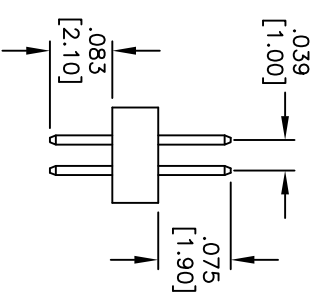
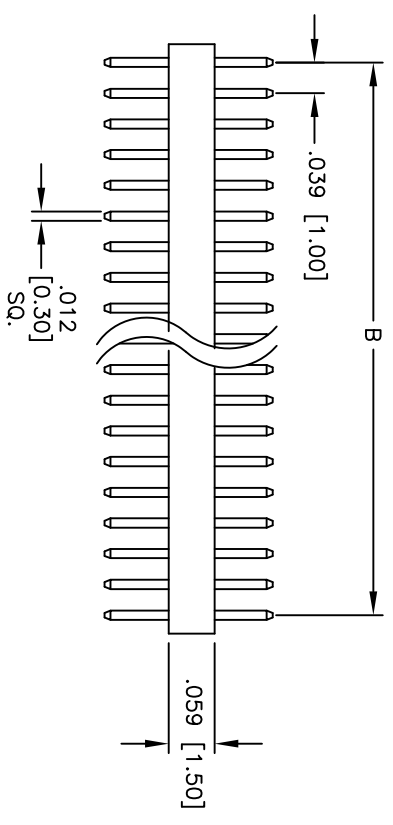


APPROVED: _____
 DATE: _____ TITLE: _____

Rev	AWO #	Description	Date	Appr
-		RELEASED	1/5/05	
A		REDRAWN	12/9/14	AV/LL



RECOMMENDED PCB LAYOUT



Positions: 04 thru 80
 A = .039 [1.00] x No. of Positions Per Row
 B = .039 [1.00] x No. of Spaces

PART NUMBER	PLATING
MPH2-XX-U	GOLD FLASH OVER NICKEL UNDERPLATE
MPH2-XX-SG	GOLD FLASH OVER NICKEL UNDERPLATE ON CONTACT AREA, TIN OVER COPPER ON TAILS
MPH2-XX-T	TIN OVER COPPER UNDERPLATE OVERALL

SPECIFICATIONS:
 Material: Insulator: Hi-Temp Thermoplastic, rated UL 94V-0
 Insulator color: Black
 Contacts: Brass
 Plating: See chart.
 Electrical: Current rating: 1 Amp max.
 Contact resistance: 15 mohms max. initial
 Insulation resistance: 5,000 Mohms min.
 Temperature Rating: Operating temperature: -40°C to +105°C
 Environmental: Lead free, RoHS compliant

ADAM TECH
 909 Rahway Avenue, Union, NJ 07083
 Phone: 908-687-5000 Fax: 908-687-5710

UNLESS OTHERWISE SPECIFIED ALL DIMENSIONS ARE IN INCHES [MM]		TOLERANCES: EXCEPT AS NOTED	
INCHES		HILES	
.X	± .10	ØXX	± .10
.XX	± .020	ØXXX	± .015
.XXX	± .015	ØXXX	± .010
APPROVALS		DATE	
DRAWN	SS	1/5/05	
CHECKED			
APPROVED			
TITLE		SIZE	PART NO.
.039 [1.00] DUAL ROW MICRO PIN HEADER		X	MPH2-XX-XX
REF: S00039T		SCALE: NTS	SHEET 1 OF 1