

Customer Information Sheet

DRAWING No.: M20-792XX42R

IF IN DOUBT - ASK

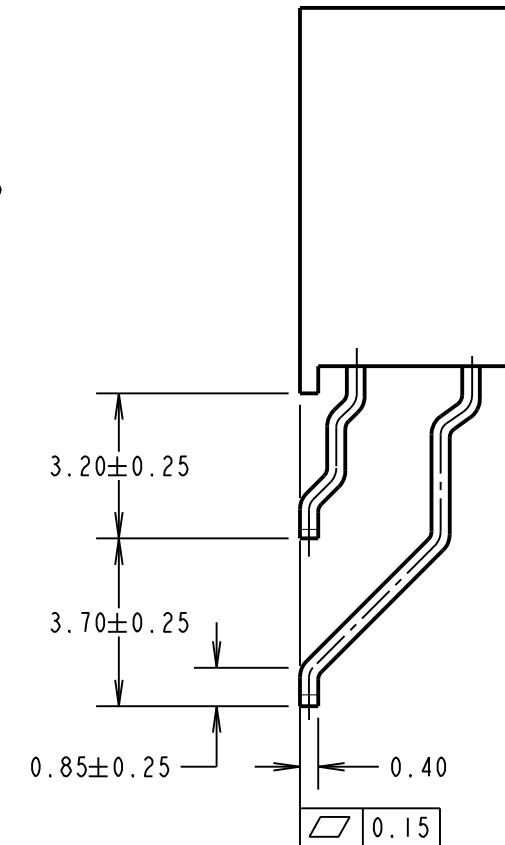
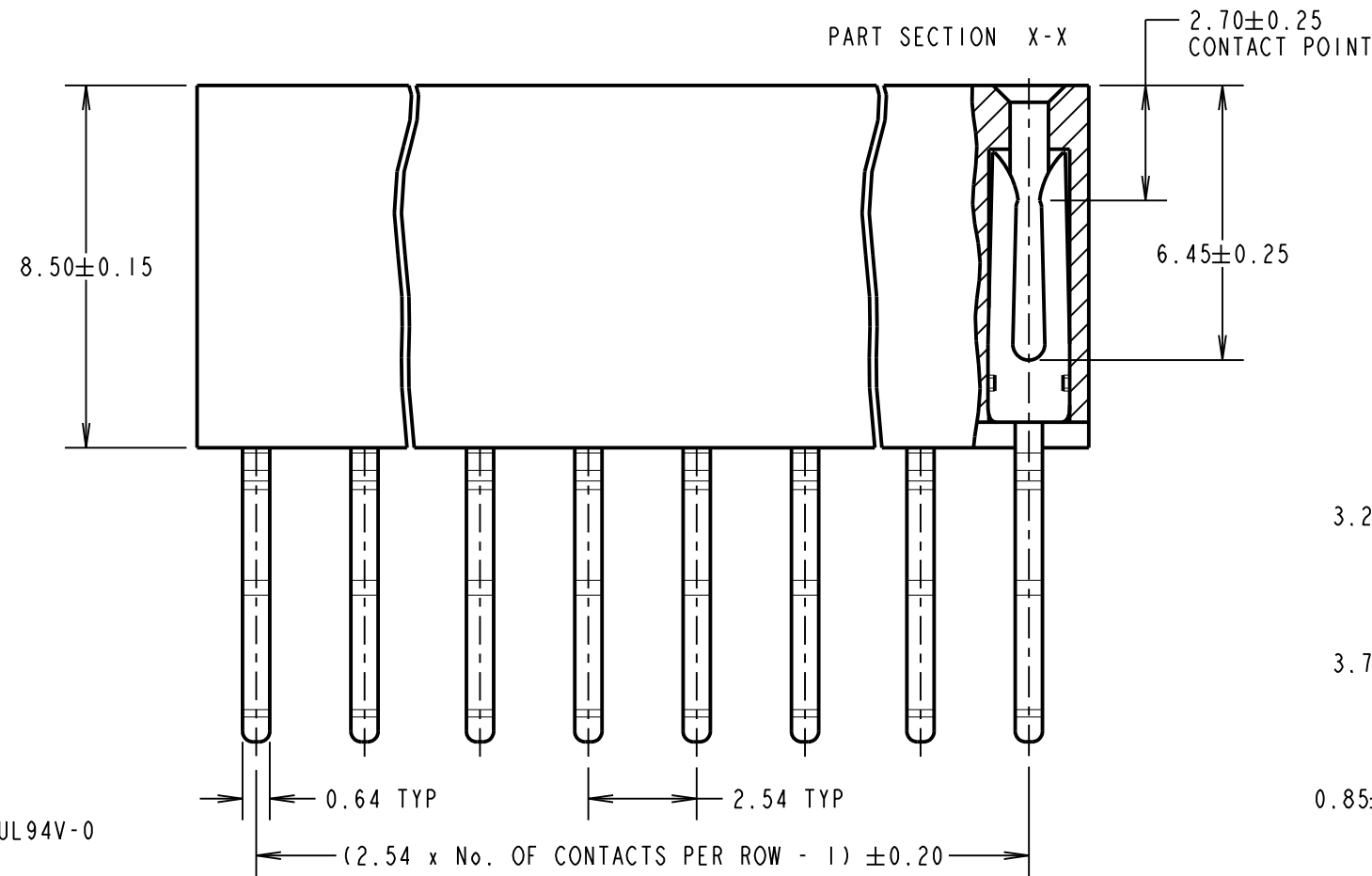
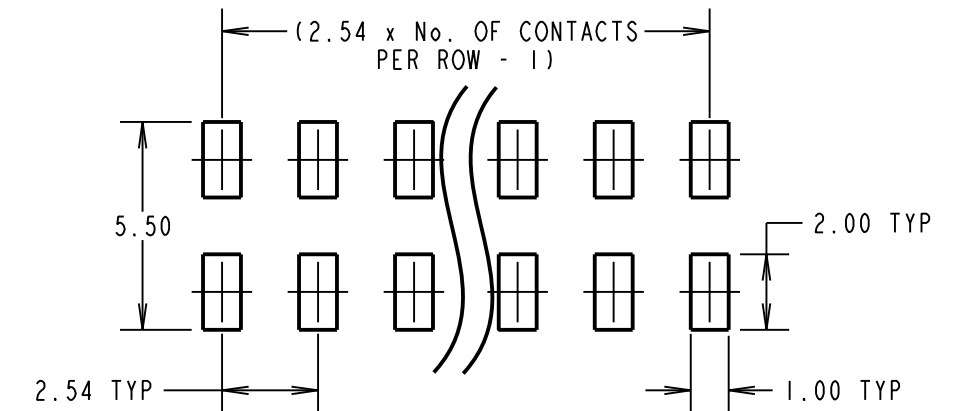
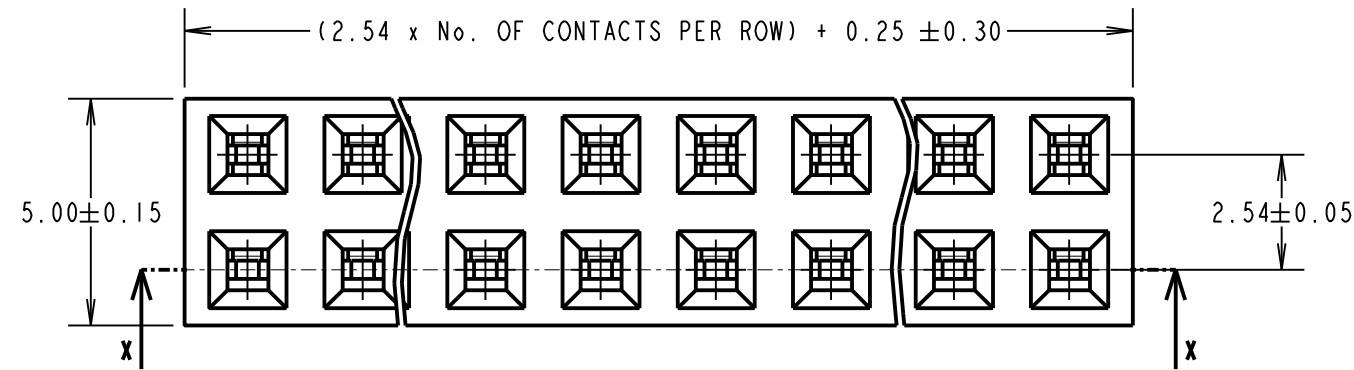
©

NOT TO SCALE

THIRD ANGLE PROJECTION

ALL DIMENSIONS IN mm

RECOMMENDED PCB LAYOUT
(TOLERANCE = ±0.05)



COMPONENT SPECIFICATIONS:

MATERIAL:
 MOULD = GLASS FILLED PA9T, UL94V-0
 CONTACTS = PHOSPHOR BRONZE
FINISH:
 0.76-2.03µm NICKEL ALL OVER,
 0.015µm MIN GOLD ON CONTACT,
 2.03-5.08µm TIN ON TAILS

ELECTRICAL:
 CURRENT RATING = 3A
 CONTACT RESISTANCE = 20mΩ MAX
 INSULATION RESISTANCE = 1000MΩ MIN
 VOLTAGE PROOF = 1000V AC FOR ONE MINUTE

MECHANICAL:
 INSERTION FORCE = 1.96N MAX PER CONTACT
 WITHDRAWAL FORCE = 0.29N MIN PER CONTACT
 DURABILITY = 300 CYCLES MIN
ENVIRONMENTAL:
 OPERATING TEMPERATURE = -40°C TO +105°C

ORDER CODE:

M20-792XX42R

No. OF CONTACTS PER ROW: _____
 02-06, 08, 10

NOTES:
 1. FOR TAPE AND REEL DETAILS, SEE SHEET 4.

| | | | |
|-----------------|------|----------|--------|
| MGP | 4 | 28.01.19 | 21764 |
| NAME | ISS. | DATE | C/NOTE |
| APPROVED: MGP | | | |
| CHECKED: SB | | | |
| DRAWN: M.PERREN | | | |
| CUSTOMER REF.: | | | |
| ASSEMBLY DRG: | | | |

HARWIN

www.harwin.com
 technical@harwin.com

THIS DRAWING AND ANY INFORMATION OR DESCRIPTIVE MATTER SET OUT HEREON ARE CONFIDENTIAL AND COPYRIGHT PROPERTY OF THE HARWIN GROUP AND MUST NOT BE DISCLOSED, LOANED, COPIED OR USED FOR MANUFACTURING, TENDERING OR FOR ANY OTHER PURPOSE WITHOUT THEIR WRITTEN PERMISSION.

TOLERANCES
 X. = ±1mm
 X.X = ±0.50mm
 X.XX = ±0.10mm
 X.XXX = ±0.01mm
ANGLES = ±5°
 UNLESS STATED

MATERIAL:
 SEE ABOVE
FINISH: SEE ABOVE
S/AREA: mm²

TITLE:
 2.54mm PITCH DIL HORIZONTAL SOCKET, SMT TAPE & REEL

DRAWING NUMBER:
M20-792XX42R

SHT
 3
 OF
 4

Customer Information Sheet

DRAWING No.: M20-792XX42R

IF IN DOUBT - ASK

©

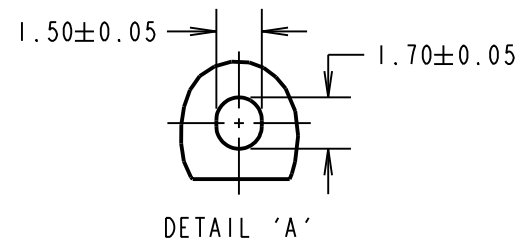
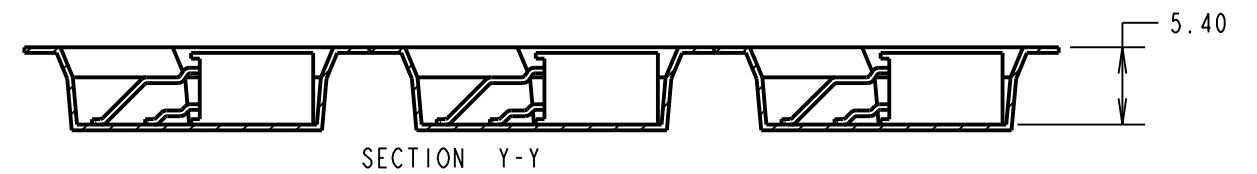
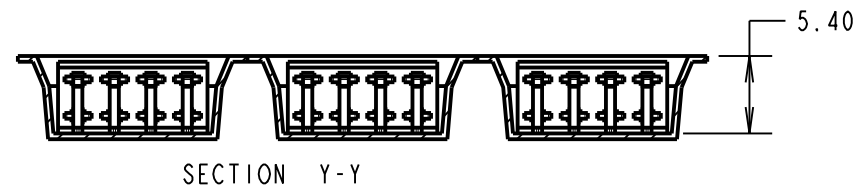
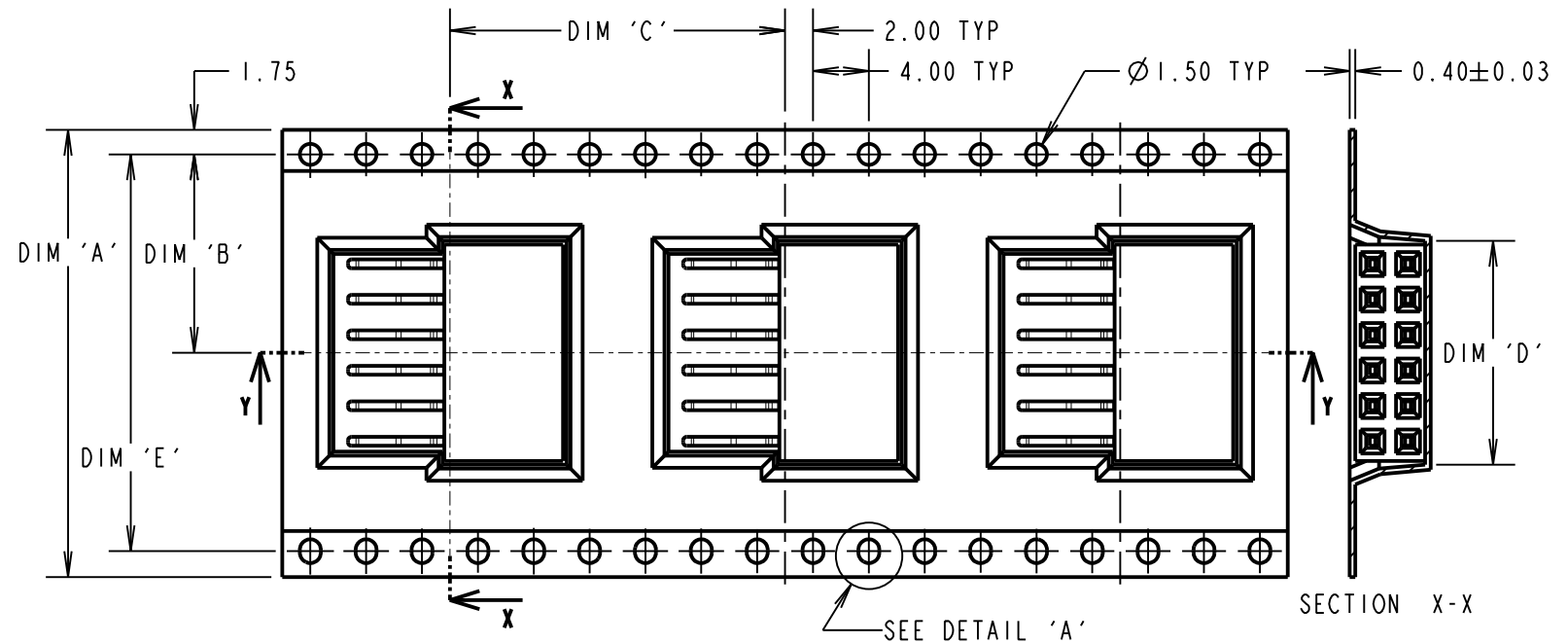
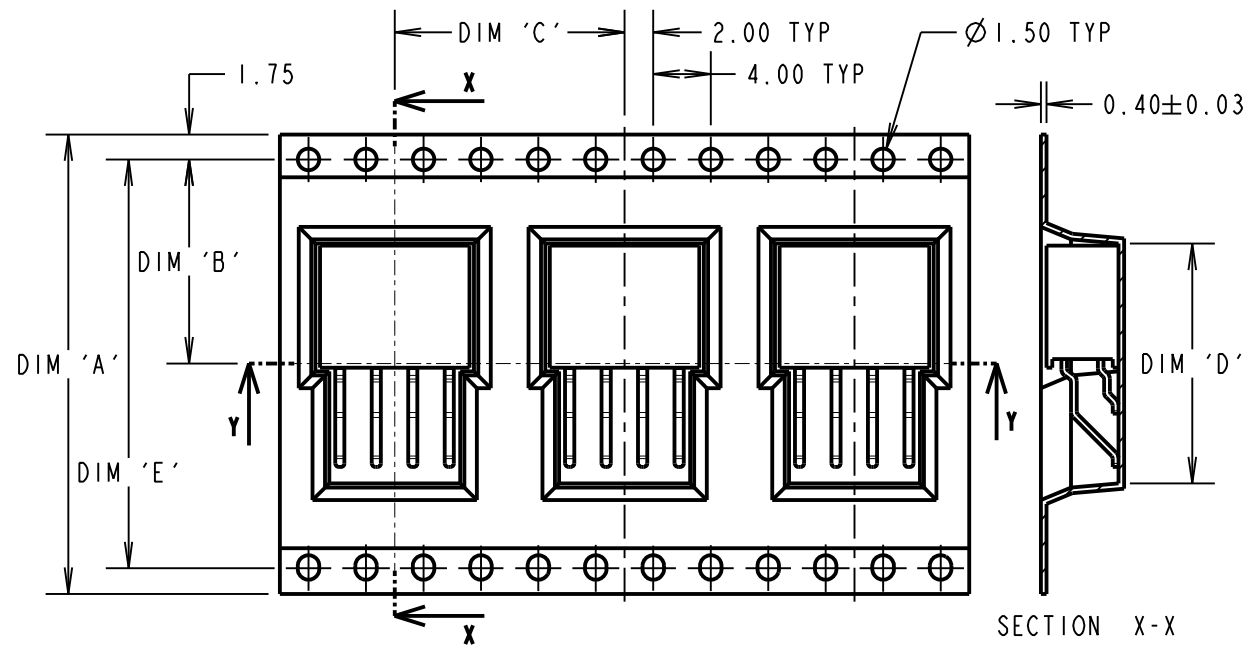
NOT TO SCALE

THIRD ANGLE PROJECTION

ALL DIMENSIONS IN mm

TAPE DETAILS FOR
02, 03 & 04 WAYS ONLY

TAPE DETAILS FOR
05, 06, 08 & 10 WAYS ONLY

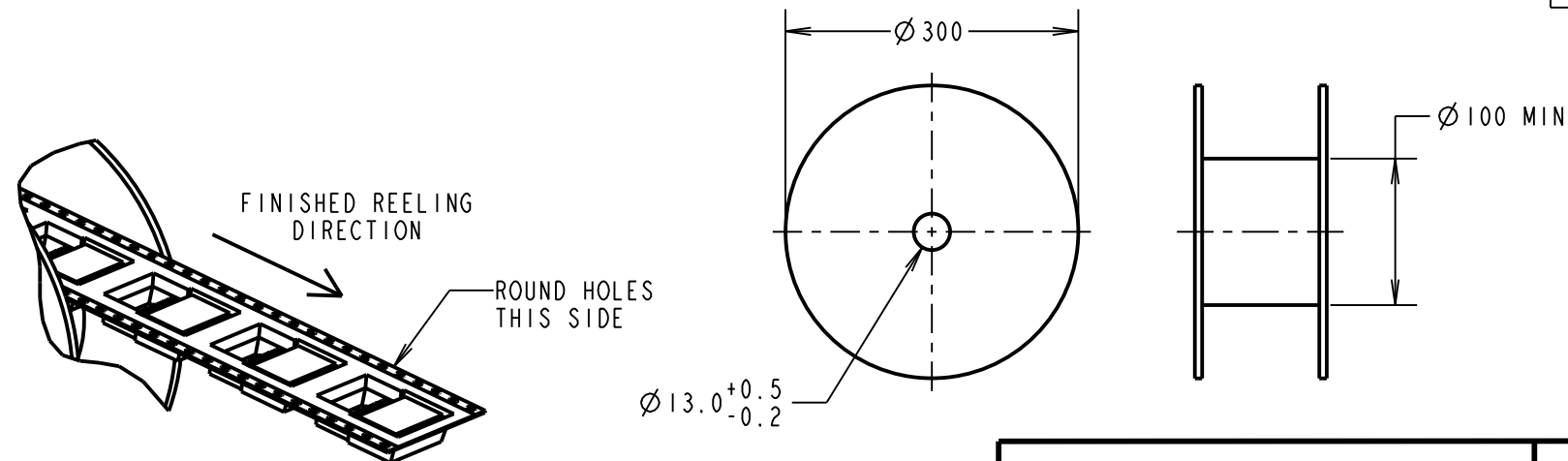


ORDER CODE:

M20-792XX42R

No. OF CONTACTS PER ROW: _____
02-06, 08, 10

REEL DETAILS



| PART No. | DIMENSION | | | | | REEL QUANTITY |
|--------------|------------|------------|---------|---------|---------|---------------|
| | DIM 'A' | DIM 'B' | DIM 'C' | DIM 'D' | DIM 'E' | |
| M20-7920242R | | | 12.00 | 16.40 | | 1000 |
| M20-7920342R | | | | 16.10 | | 750 |
| M20-7920442R | 32.00±0.30 | 14.20±0.15 | 16.00 | 16.70 | 28.40 | |
| M20-7920542R | | | | 13.60 | | 450 |
| M20-7920642R | | | | 16.00 | | |
| M20-7920842R | | | 24.00 | 21.20 | | |
| M20-7921042R | 44.00±0.30 | 20.20±0.15 | | 26.30 | 40.40 | |

NOTES:

- PRODUCT IS TAPE AND REELED IN GENERAL ACCORDANCE WITH EIA-481 (ELECTRONIC INDUSTRIES ASSOCIATION).
- FOR CONNECTOR DETAILS AND SPECIFICATIONS, SEE SHEET 3.

| | | | |
|-----------------|------|----------|--------|
| MGP | 4 | 28.01.19 | 21764 |
| NAME | ISS. | DATE | C/NOTE |
| APPROVED: MGP | | | |
| CHECKED: SB | | | |
| DRAWN: M.PERREN | | | |
| CUSTOMER REF.: | | | |
| ASSEMBLY DRG: | | | |

HARWIN

www.harwin.com
technical@harwin.com

THIS DRAWING AND ANY INFORMATION OR DESCRIPTIVE MATTER SET OUT HEREON ARE CONFIDENTIAL AND COPYRIGHT PROPERTY OF THE HARWIN GROUP AND MUST NOT BE DISCLOSED, LOANED, COPIED OR USED FOR MANUFACTURING, TENDERING OR FOR ANY OTHER PURPOSE WITHOUT THEIR WRITTEN PERMISSION.

TOLERANCES
X. = ±1mm
X.X = ±0.50mm
X.XX = ±0.10mm
X.XXX = ±0.01mm
ANGLES = ±5°
UNLESS STATED

MATERIAL:
SEE SHEET 3
FINISH: SEE SHEET 3
S/AREA: mm²

TITLE:
2.54mm PITCH DIL HORIZONTAL SOCKET, SMT TAPE & REEL

DRAWING NUMBER:
M20-792XX42R

SHT
4 OF 4