

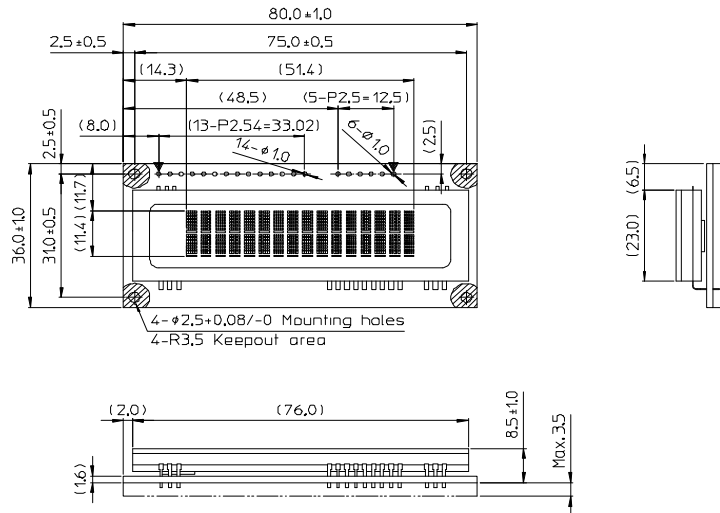
CU16025-UW6J

SIMPLIFIED DATASHEET

Features

16 character x 2 line display.
 LCD compatible, serial interface. Good for use as LCD drop-in replacement, or in various other applications.

Physical dimension



():Reference only
 Unit:mm

Get full specification



Click here to go to request form.

Specifications

Electrical Ratings

| Parameter | Symbol | Min. | Typ. | Max. | Unit | Condition |
|-------------------------------------|---------|--------|------|--------|------|----------------|
| Logic Input Voltage | | | | | | |
| DB0-DB7, RS,R/W(WR), E(RD),SCK, STB | VIH1 | 2.0 | - | VCC | VDC | VCC-VSS= 5.0 V |
| | VIL1 | VSS | - | 0.8 | | |
| Logic Input Voltage | VIH2 | 0.7VCC | - | VCC | VDC | VCC-VSS= 5.0 V |
| SI/SO | VIL2 | VSS | - | 0.3VCC | | |
| Logic Input Voltage | VIH3 | 0.8VCC | - | VCC | VDC | VCC-VSS= 5.0 V |
| /RESET | VIL3 | VSS | - | 0.2VCC | | |
| Power supply Voltage | VCC-VSS | 4.75 | 5.00 | 5.25 | VDC | - |

Electrical Characteristics

| Parameter | Symbol | Min. | Typ. | Max. | Unit | Condition |
|------------------------|--------|---------|------|------|------|-------------|
| Logic Output Voltage | 'H' | VCC-0.8 | - | - | VDC | IOH = -4 mA |
| | 'L' | - | - | 0.6 | | IOL = 4 mA |
| | 'H' | VCC-0.5 | - | - | VDC | IOH = -2 mA |
| | 'L' | - | - | 0.5 | | IOL = 2 mA |
| Power Supply Current 1 | ICC1 | - | 150 | 200 | mA | Display ON |
| Power Supply Current 2 | ICC2 | - | 3 | 10 | mA | Display OFF |
| Power Consumption | | - | 0.75 | 1.0 | W | Display ON |

Optical Characteristics

| Parameter | Value |
|-----------------------|----------------------------|
| Luminance | 350 cd/m ² Min. |
| Color of illumination | Green (Blue-Green) |

Environmental Conditions

| Parameter | Value |
|---------------------------|--|
| Operating Temperature | -40 ~ +85 degrees celsius |
| Storage Temperature | -50 ~ +85 degrees celsius |
| Operating Humidity | 20 ~ 80% R.H. (non-condensing) |
| Vibration (Non operation) | 10-55-10Hz, all amplitude 1mm, 30 minutes, X-Y-Z |
| Shock (Non operation) | 980m/s ² (100G) 6ms |

Physical Specifications

| Parameter | Value | *ANK(Alphabet, Numeric, Kana) |
|-----------------|----------------------------|-------------------------------|
| Number of char. | 32 (16 x 2) | |
| Built-in Fonts | 5 x 7 | ANK, International |
| Display area | 51.4 x 11.4 mm (X x Y) | |
| Character size | 2.275 x 4.759 mm (X x Y) | |
| | Underline is not included. | |
| Character pitch | 3.275 mm | |
| Line pitch | 5.991 mm | |
| Weight | About 30 g | |

Interface

8bit/4bit Parallel(TTL), Synchronous Serial (CMOS)

Pin Assignment (Parallel)

| Pin No | Signal | Pin No | Signal |
|--------|---------|--------|--------|
| 1 | GND | 8 | DB1 |
| 2 | VCC | 9 | DB2 |
| 3 | NC | 10 | DB3 |
| 4 | RS | 11 | DB4 |
| 5 | R/W(WR) | 12 | DB5 |
| 6 | E(RD) | 13 | DB6 |
| 7 | DB0 | 14 | DB7 |

(Synchronous Serial)

| Pin No | Signal |
|--------|--------|
| 1 | VCC |
| 2 | SI/SO |
| 3 | GND |
| 4 | STB |
| 5 | SCK |
| 6 | NC |

Functions

| Parameter | Value |
|--|-------|
| Command compatible with HD44780 LCD controller | |
| Display ON/OFF | |
| Brightness Control | |
| Cursor ON/OFF | |
| 8 User definable character font | |
| etc. | |



Leaflet contents, and specifications and external appearance of products, may change without notice.

Please confirm product details in the specification.

(C)Copyright NORITAKE ITRON CORP.