

THIS IS ISSUED IN STRICT CONFIDENCE THAT IT IS NOT USED AS A BASIS FOR MANUFACTURE OR SALE AND THAT IT IS NOT COPIED, REPRINTED OR DISCLOSED TO A THIRD PARTY EITHER WHOLLY OR IN PART WITHOUT THE PRIOR WRITTEN CONSENT OF CAL TEST ELECTRONICS, INC.

- 4mm SAFETY BANANA JACK w/ $\phi$ .075 ( $\phi$ 1.9) x .82 (20.8) PIN.
- SPECIFICATIONS:  
INSULATOR: POLYAMIDE (NYLON).  
CONTACT: BRASS, NICKEL PLATED  
LOCKING NUT: BRASS, NICKEL PLATED
- RATING:  
VOLTAGE: 1,000 V CAT III/600 V CAT IV P2 (IEC61010-031)  
  
CURRENT: 36 A MAX.  
RESISTANCE: <12 m.  
TEMPERATURE: -20° C TO +80° C.
- MOUNTING HOLE: REF. DIAGRAM.
- INSULATOR THREAD, M12 X 0.75. MAX. TORQUE 1.7 ft-lb (2.3 Nm) @ 20° C.
- MAXIMUM PANEL THICKNESS: .40 (10).
- RECOMMENDED ASSEMBLY TOOL: CT2246A.

**PART NUMBER**

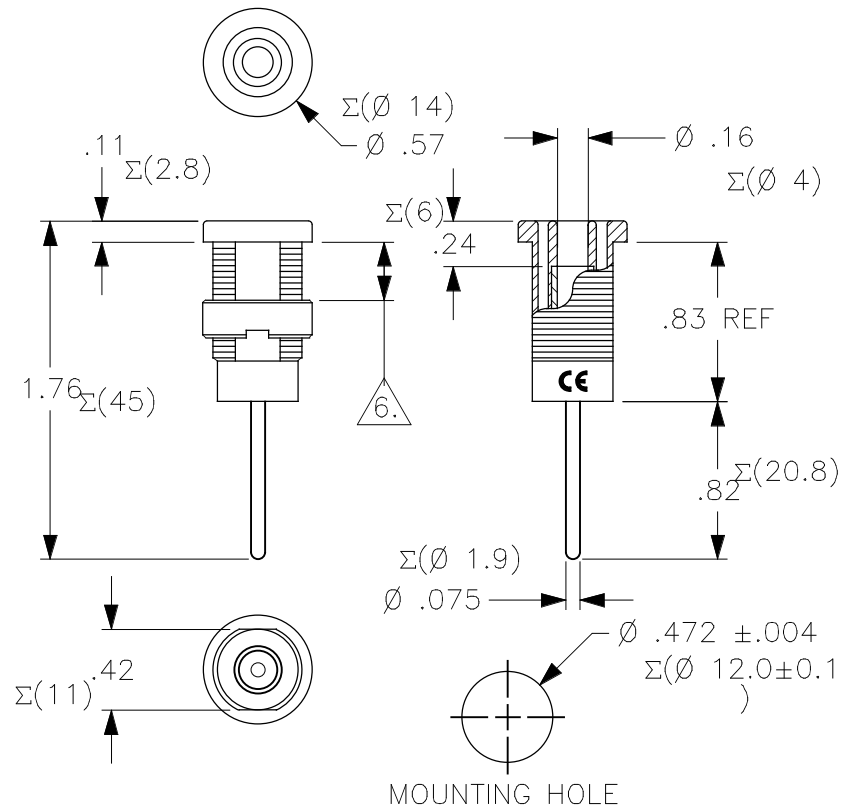
**CT2906-#**

- COLOR: 0 - BLACK  
1 - BROWN  
2 - RED  
3 - ORANGE (SPECIAL)  
4 - YELLOW  
5 - GREEN  
6 - BLUE  
7 - PURPLE  
8 - GRAY  
9 - WHITE

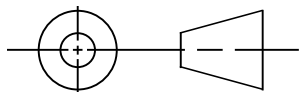
CONFORMITY TO RoHS 2002/95/EC

REVISIONS

REV.	DESCRIPTIONS	DATE	APPROVED
—	CLASS A RELEASED	7/12/99	
A	REVISED CONFIGURATION & MATL. MOUNTING HOLE. NEW TOOLING.	4/18/04	
B	COLOR ORANGE ADDED AS SPECIAL; REVISED NOTE 5 WITH NUT TORQUE SPECIFICATION.	6/2/09	



THIRD ANGLE PROJECTION



UNLESS OTHERWISE SPECIFIED DIMENSIONS ARE IN INCHES TOLERANCES ARE:  
FRACTIONS DECIMALS  
± 1/32 .XX ± .02  
.XXX ± .005  
DO NOT SCALE DRAWING

CONTRACT NO.

APPROVALS

DRAWN WDH

CHECKED

ENGR.

DESIGN ACTIVITY

DATE

7/12/99

**Cal Test Electronics**

22820 Savi Ranch Parkway  
Yorba Linda, CA 92887-4610

TITLE

**4mm SAFETY JACK, PANEL  
w/ $\phi$ .075x.82 PIN**

SIZE  
**A**

CAGE CODE  
**43F45**

DWG. NO.  
**P290600**

REV.  
**B**

SCALE 1:1

SHEET 1 OF 1

NEXT ASSY

USED ON

APPLICATION