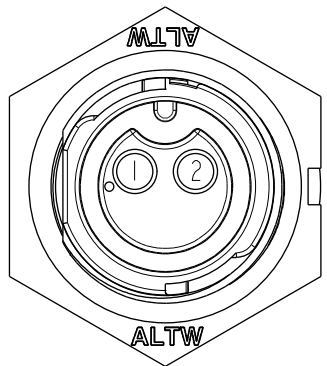
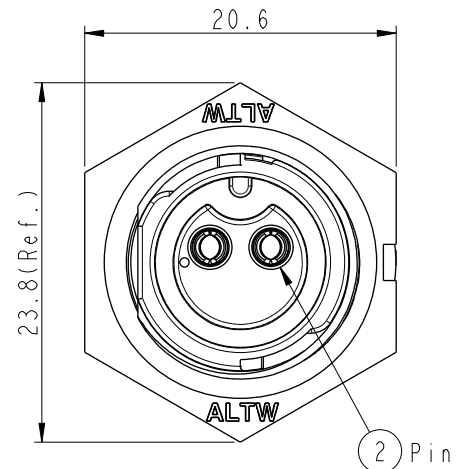
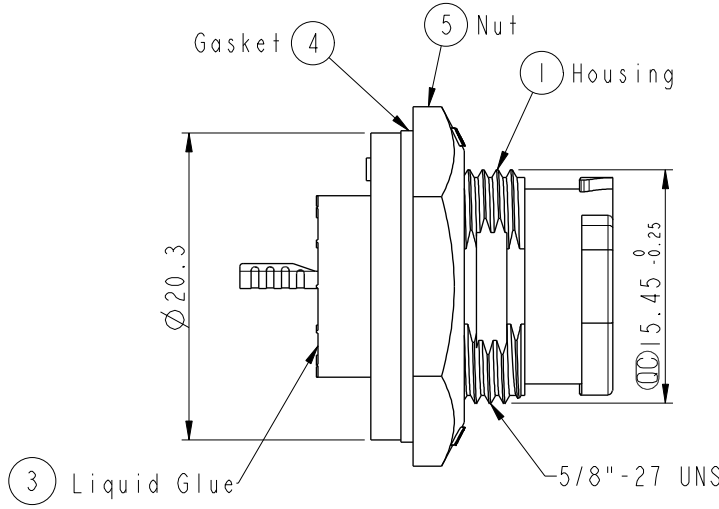
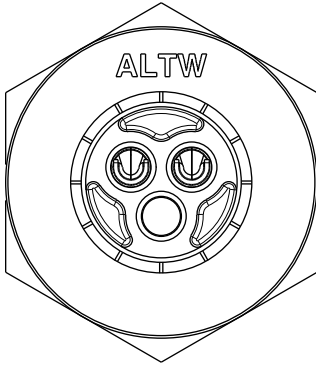


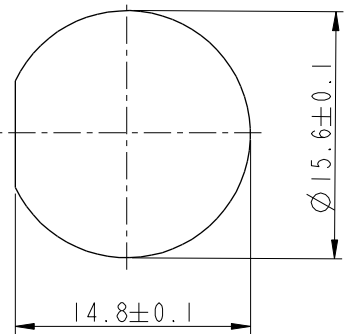
THIS DOCUMENT IS SUBJECT TO CHANGE WITHOUT NOTICE. IT IS CONFIDENTIAL AND A PROPERTY OF AMPHENOL LTW. DISCLOSURE TO THIRD PARTY HAS TO BE AUTHORIZED BY AMPHENOL LTW.

| REV. | ECN NO. | DATE | SIGN | DESCRIPTION |
|------|---------|------------|-------|-------------|
| B | CI90411 | 2019/03/14 | Vicky | Change Note |

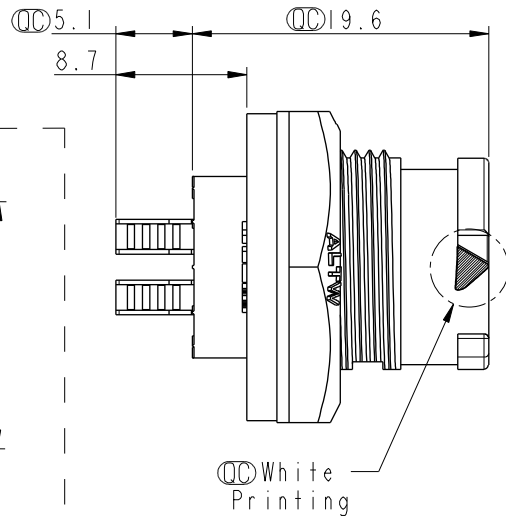
ALTW
 CONFIDENTIAL
 2019-03-14
 R&D DEPT.



Pin Assignments
Front View



Recommended Panel Cut-out



- Note:**
- * ϕ Important Dimension To Check.
 - * Waterproof Rate: IP68, Unmated.
In 1 meter water within 24 hours
 - * Housing: Thermoplastic, Black.
 - * Pin: Copper Alloy, Gold Plated.
 - * Nut: Thermoplastic, Black.
 - * Gasket: Rubber, Gary.
 - * Use Without Waterproof Cap
Panel Thickness Max: 4.0mm
 - * Use With Waterproof Cap
Panel Thickness Max: 3.0mm
 - * Gasket and Nut are packed separately in PE bags.

| | | |
|-----------------------------|--|--|
| UNIT: mm | | |
| TOLERANCE X ±0.25 | | |

| | | | |
|---|----------------|------------------------|---------|
| TITLE X Lok B-Size Receptacle Front Fastened M Conn F 2 Pin | | | |
| SCALE 2:1 | SIZE A4 | SHEET 1 | OF 1 |
| REV. B | WC-REV. A.3 | ϕ Inspection item | |

Amphenol LTW
 安費諾亮泰企業股份有限公司

| | | |
|------------------------------|--------------------|--------------------|
| ITEM NO. BB-02PMFS-QC8001 | DRAWN BY Vicky | DATE 2019-03-14 |
| DWG NO. BB-02PMFS-QC8001 | CHECKED BY Rita | DATE 2019-03-14 |
| CUSTOMER ALTW | APPROVED BY Max | DATE 2019-03-14 |