

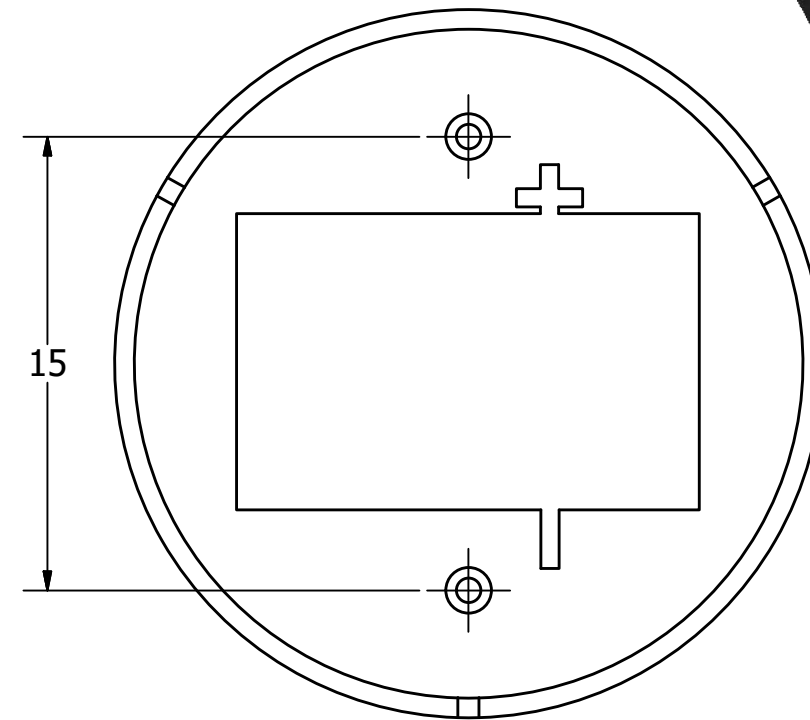
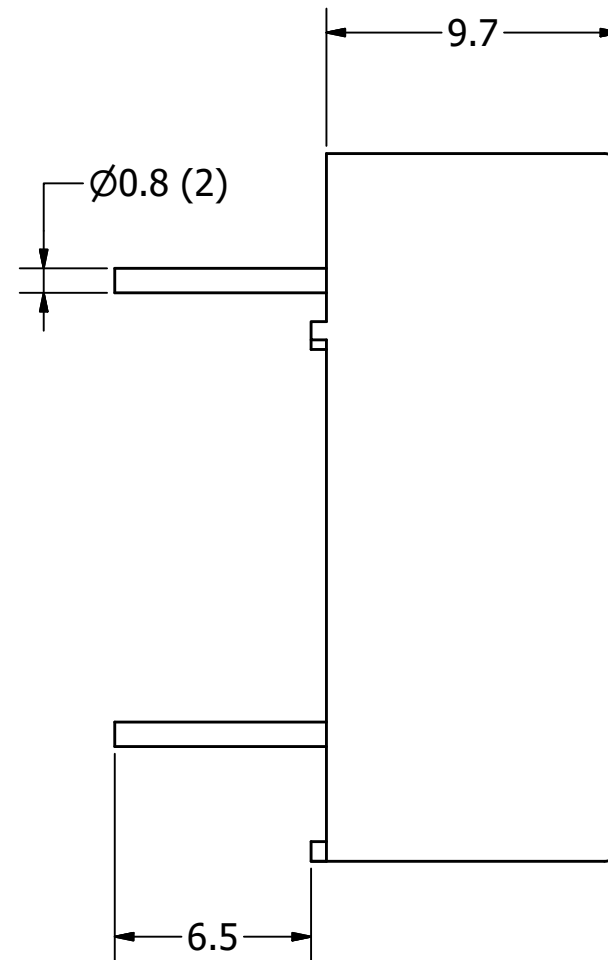
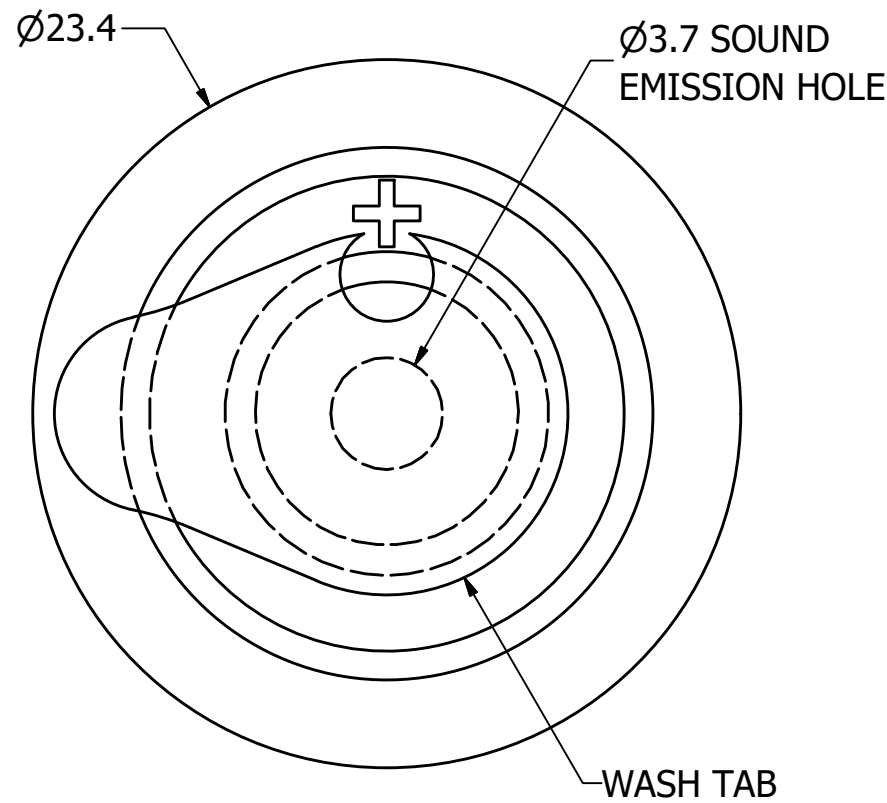
# SPECIFICATIONS

PARAMETERS	VALUES	UNITS
RATED VOLTAGE	12	Vdc
OPERATING VOLTAGE RANGE	3 ~ 20	Vdc
RATED CURRENT (MAX)	15	mA
MINIMUM SPL @ 10 CM	85	dBA
RESONANT FREQUENCY	3,100 ± 500	Hz
tone OR PULSE RATE	CONTINUOUS	0 pulse /sec
OPERATING TEMPERATURE	-30 ~ +70	°C
STORAGE TEMPERATURE	-40 ~ +85	°C
HOUSING MATERIAL	NORYL	-
TERMINAL MATERIAL	Sn PLATED COPPER	-
WEIGHT	3	grams

THIS DOCUMENT CONTAINS DATA PROPRIETARY TO PROJECTS UNLIMITED, INC. ANY USE OR REPRODUCTION, IN ANY FORM, WITHOUT PRIOR WRITTEN PERMISSION OF PROJECTS UNLIMITED, INC. IS PROHIBITED.  
©2003, Projects Unlimited Inc.

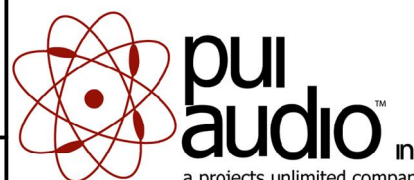
# REVISION HISTORY

LTR	DESCRIPTION	DATE	APPROVED
-	RELEASED FROM ENGINEERING	8/23/2004	
A	ADDED DIMENSION	8/27/2004	R.W.
B	REMOVED LEAD FREE NOTE ADDED RoHS	8/10/2005	
C	REVISED TERMINAL MATERIAL	11/28/2006	R.W.
D	ADDED EPOXY SEAL NOTE	3/7/2007	B.R.
E	REVISED BODY HEIGHT DIMENSION	4/7/2008	B.R.
F	REVISED TO INVENTOR 3-D DRAWING TEMPLATE	12/21/2008	B.R.
G	ADDED NOTE 4	2/17/2012	M.L.
H	REVISED TEMPERATURE SPECIFICATIONS	2/24/2020	M.V.



## NOTES:

1. ALL DIMENSIONS ARE IN MILLIMETERS.
2. SPECIFICATIONS SUBJECT TO CHANGE OR WITHDRAWL WITHOUT NOTICE.
3. THIS PART IS RoHS 2002/95/EC COMPLIANT.
4. PART IS NOT WASHABLE.

UNLESS OTHERWISE SPECIFIED: DIMENSIONS ARE IN MILLIMETERS, TOLERANCES ARE ±0.5 AND ANGLES ARE ±3°.	SIZE <b>A3</b>	Designed by	Date	Checked by	Date	Approved by	Date	Drawn Date
		R.A.C.	8/23/2004			R.W.	8/23/2004	12/21/2008
AI-2331-TWT-R.idw				<b>AI-2331-TWT-R</b> Indicator				
				Edition		Sheet		
				-		1 / 1		